

# ROAD

## > PURE PERFORMANCE.

From the record-setting **SuperSix EVO** to the ride-all-day comfort of the **Synapse**; from the sinister elegance of our premium *Black Inc.* offerings to the competition-ready *Racing Edition* models, Cannondale road bikes are engineered for pure performance. Lightest-in-class weights meet perfectly balanced stiffness for an exceptional ride-feel that could only come from Cannondale.



### > ELITE ROAD

Ultra-light, efficient race-focused bikes engineered to get you to the finish line first.

SUPERSIX EVO  
SUPERSIX  
CAAD10  
CAAD8

### > PERFORMANCE ROAD

Race-level performance meets all-day comfort. Perfect for Gran Fondos, Cyclo-Sportives and long days in the saddle.

SYNAPSE CARBON  
SYNAPSE ALLOY

### > TRIATHLON / TT

High-tech aero bikes designed to give you every advantage over the wind and the clock.

SLICE RS  
SLICE

### > CYCLOCROSS

Made to dominate the muddy battles of 'cross racing or accelerate your morning commute.

SUPERX  
CAADX

# SUPERSIX EVO

› “BEST BIKE IN THE WORLD.”

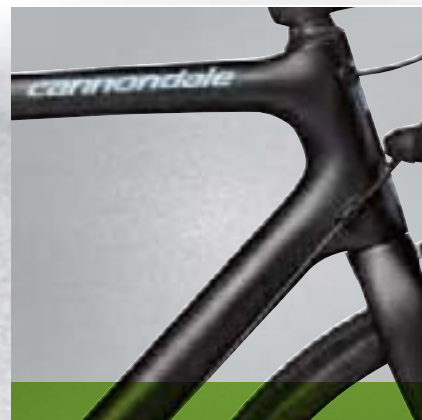
The **SuperSix EVO** is the ultimate road racing machine. Designed to be the perfect blend of all the key factors of performance - weight, stiffness, strength, compliance, handling and aerodynamics - the **EVO** is so good that *Tour* magazine in Germany named it the “Best Bike in the World” (March 2012).

## EVO FRAME OPTIONS

**EVO NANO:** The lightest production frame on the planet utilizes advanced high modulus BallisTec Construction and nano tech resins for maximum weight savings.

**EVO HI-MOD:** The original EVO. High modulus BallisTec construction delivers extreme light weight and stiffness.

**EVO CARBON:** A higher percentage intermediate-modulus fiber BallisTec construction expands the EVO line with a super high-performance, sub-950 gram frame.



### › BALLISTEC CARBON

Cannondale's High Strength carbon construction method allows us to achieve extreme light weight with exceptional stiffness and strength.



### › SPEED SAVE MICRO-SUSPENSION SYSTEM

Subtle flex zones built into the chainstays and seatstays allow the rear wheel to track the ground, improving speed, handling and comfort. Tuned to work with the **SPEED SAVE** Offset Dropout Fork.



### › REDUCED FRONTAL AREA

Compared to the oversized competition, the **EVO's** downtube is close to 20% smaller, the heatube 11% smaller, and the fork blades 15% thinner. This means less frontal area and less drag. In fact, tests show that EVO has only slightly more drag than the best “aero” frames without their added weight and harsh ride.

ROAD ELITE ROAD  
PERFORMANCE ROAD  
TRIATHLON / TIME TRIAL  
CYCLOCROSS



C13RSEBD

## SUPERSIX EVO, BLACK EDITION

<b>FRAME</b>	SUPERSIX EVO, BALLISTEC NANO CARBON, SPEED SAVE
<b>FORK</b>	SUPERSIX EVO, SPEED SAVE, BALLISTEC NANO CARBON
<b>WHEELS</b>	ENVE ROAD 25MM 20H FRONT, 24H REAR

<b>TIRES</b>	SCHWALBE ULTREMO LIGHT TUBULAR 22MM
<b>CRANKS</b>	CANNONDALE HOLLOWGRAM SISL2, W/ OPI SPIDERING, 11-SPEED, 53-39 (COMPACT 50/34 INCLUDED)
<b>DERAILLEURS</b>	SHIMANO DURA ACE 9000

NEARLY BLACK W/ 40 BLUE ACCENTS, MATTE (BLE)

<b>SHIFTERS</b>	SHIMANO DURA ACE 9000
<b>BRAKES</b>	SHIMANO DURA ACE 9000
<b>SIZES</b>	48, 50, 52, 54, 56, 58, 60, 63CM





C13RSEID

## SUPERSIX EVO HI-MOD DURA ACE Di2

<b>FRAME</b>	SUPERSIX EVO, BALLISTEC HI-MOD CARBON, Di2 SPECIFIC, SPEED SAVE
<b>FORK</b>	SUPERSIX EVO, SPEED SAVE, BALLISTEC HI-MOD CARBON
<b>WHEELS</b>	MAVIC KSYRIUM SLR WTS

<b>TIRES</b>	MAVIC YKSION, GRIPLINK FRONT AND POWERLINK REAR, 700X23C, FOLDING
<b>CRANKS</b>	CANNONDALE HOLLOWGRAM SISL2, W/ OPI SPIDERING, 11-SPEED, 53-39 (COMPACT 50/34 INCLUDED)
<b>DERAILLEURS</b>	SHIMANO DURA ACE Di2 9070

EXPOSED CARBON W/ CHARCOAL GREY AND RACE RED ACCENTS, MATTE (CRB)

<b>SHIFTERS</b>	SHIMANO DURA ACE Di2 9070
<b>BRAKES</b>	SHIMANO DURA ACE 9000
<b>SIZES</b>	48, 50, 52, 54, 56, 58, 60, 63CM



C13RSE0D

## SUPERSIX EVO HI-MOD TEAM

<b>FRAME</b>	SUPERSIX EVO, BALLISTEC HI-MOD CARBON, SPEED SAVE
<b>FORK</b>	SUPERSIX EVO, SPEED SAVE, BALLISTEC HI-MOD CARBON
<b>WHEELS</b>	MAVIC COSMIC CARBONE SLR WTS

<b>TIRES</b>	MAVIC YKSION, GRIPLINK FRONT AND POWERLINK REAR, 700X23C, FOLDING
<b>CRANKS</b>	CANNONDALE HOLLOWGRAM SISL2, W/ OPI SPIDERING, 10-SPEED, 53-39 (COMPACT 50/34 INCLUDED)
<b>DERAILLEURS</b>	SRAM RED

TEAM REPLICA, GLOSS (LIQ)

<b>SHIFTERS</b>	SRAM RED DOUBLETAP
<b>BRAKES</b>	SRAM RED
<b>SIZES</b>	48, 50, 52, 54, 56, 58, 60, 63CM



C13RSE1D  
**SUPERSIX EVO HI-MOD DURA ACE**

<b>FRAME</b>	SUPERSIX EVO, BALLISTEC HI-MOD CARBON, SPEED SAVE
<b>FORK</b>	SUPERSIX EVO, SPEED SAVE, BALLISTEC HI-MOD CARBON
<b>WHEELS</b>	MAVIC KSYRIUM SLS WTS

<b>TIRES</b>	MAVIC YKSION, GRIPLINK FRONT AND POWERLINK REAR, 700X23C, FOLDING
<b>CRANKS</b>	CANNONDALE HOLLOWGRAM SISL2, W/ OPI SPIDERING, 11-SPEED, 53-39 (COMPACT 50/34 INCLUDED)
<b>DERAILLEURS</b>	SHIMANO DURA ACE 9000

EXPOSED CARBON W/ MAGNESIUM WHITE AND I LOVE GOLD ACCENTS, GLOSS (WHT)

<b>SHIFTERS</b>	SHIMANO DURA ACE 9000
<b>BRAKES</b>	SHIMANO DURA ACE 9000
<b>SIZES</b>	48, 50, 52, 54, 56, 58, 60, 63CM



C13RSSIC / D  
**SUPERSIX EVO ULTEGRA Di2**

<b>FRAME</b>	SUPERSIX EVO CARBON, Di2 SPECIFIC, SPEED SAVE
<b>FORK</b>	SUPERSIX EVO, SPEED SAVE, BALLISTEC CARBON
<b>WHEELS</b>	SHIMANO ULTEGRA 6700

<b>TIRES</b>	SCHWALBE ULTREMO TUBELESS 700X23C
<b>CRANKS</b>	CANNONDALE HOLLOWGRAM SI, FSA CHAINRINGS, 50/34 (OPTION: 53/39)
<b>DERAILLEURS</b>	SHIMANO ULTEGRA Di2 6770

MAGNESIUM WHITE W/ JET BLACK AND ULTRA BLUE ACCENTS, GLOSS (WHT)

<b>SHIFTERS</b>	SHIMANO ULTEGRA Di2 6770
<b>BRAKES</b>	SHIMANO ULTEGRA 6700
<b>SIZES</b>	48, 50, 52, 54, 56, 58, 60, 63CM



EXPOSED CARBON, GLOSS (BLK)



C13RSERC  
**SUPERSIX EVO HI-MOD RED, RACING EDITION**

<b>FRAME</b>	SUPERSIX EVO, BALLISTEC HI-MOD CARBON, SPEED SAVE
<b>FORK</b>	SUPERSIX EVO, SPEED SAVE, BALLISTEC HI-MOD CARBON
<b>WHEELS</b>	VISION TC24, CARBON RIM, 20/24H, TUBULAR

<b>TIRES</b>	SCHWALBE ULTREMO HT TUBULAR 22MM
<b>CRANKS</b>	CANNONDALE HOLLOWGRAM SISL2, FSA CHAINRINGS, 53/39
<b>DERAILLEURS</b>	SRAM RED

MARINER BLUE W/ RACE RED AND 40 BLUE ACCENTS, GLOSS (BLU)

<b>SHIFTERS</b>	SRAM RED DOUBLETAP
<b>BRAKES</b>	SRAM RED
<b>SIZES</b>	48, 50, 52, 54, 56, 58, 60, 63CM



EXPOSED CARBON, GLOSS (BLK)



C13RSS2C / D  
**SUPERSIX EVO 2 RED**

<b>FRAME</b>	SUPERSIX EVO CARBON, SPEED SAVE
<b>FORK</b>	SUPERSIX EVO, SPEED SAVE, BALLISTEC CARBON
<b>WHEELS</b>	MAVIC KSYRIUM EQUIPE S WTS

<b>TIRES</b>	MAVIC YKSION PRO 700X23C
<b>CRANKS</b>	SRAM S951 CARBON, BB30, 50/34 (OPTION: 53/39)
<b>DERAILLEURS</b>	SRAM RED

MAGNESIUM WHITE W/ BERSERKER GREEN AND NU TEAM BLUE ACCENTS, GLOSS (REP)

<b>SHIFTERS</b>	SRAM RED DOUBLETAP
<b>BRAKES</b>	SRAM RED
<b>SIZES</b>	48, 50, 52, 54, 56, 58, 60, 63CM



EXPOSED CARBON W/ CHARCOAL GREY AND RACE RED ACCENTS, MATTE (CRB)



# SUPERSIX

## > RACE-WINNING PEDIGREE.

Light and stiff, with an incredibly lively, communicative ride-feel, the **SuperSix** is the direct descendant of the bike that carried Liquigas-Cannondale to victory in the Giro d'Italia and Vuelta a España. Race-ready.



C13RSS3C / D

### SUPERSIX 3 ULTEGRA

FRAME	SUPERSIX, FULL CARBON
FORK	SUPERSIX, FULL CARBON, ALLOY DROPOUTS
WHEELS	MAVIC AKSIUM WTS

TIRES	MAVIC AKSION COMP, 700X23C, FOLDING
CRANKS	FSA SL-K LIGHT CARBON BB30, 50/34 (OPTION: 53/39)
DERAILLEURS	SHIMANO ULTEGRA 6700

MAGNESIUM WHITE W/ STEALTH GREY AND BERSERKER GREEN ACCENTS, GLOSS (WHT)

SHIFTERS	SHIMANO ULTEGRA 6700
BRAKES	SHIMANO ULTEGRA 6700
SIZES	48, 50, 52, 54, 56, 58, 60, 63CM



JET BLACK W/ CHARCOAL GREY AND FINE SILVER ACCENTS, MATTE (BBQ)



C13RSS4C / D

### SUPERSIX 4 RIVAL

FRAME	SUPERSIX, FULL CARBON
FORK	SUPERSIX, FULL CARBON, ALLOY DROPOUTS
WHEELS	FULCRUM RACING 7

TIRES	SCHWALBE LUGANO, 700X23C, FOLDING
CRANKS	FSA ENERGY BB30, 50/34 (OPTION: 53/39)
DERAILLEURS	SRAM RIVAL



EXPOSED CARBON W/ CHARCOAL GREY AND RACE RED ACCENTS, MATTE (CRB)

NIAGRA BLUE W/ FINE SILVER AND MAGNESIUM WHITE ACCENTS, GLOSS (BLU)

SHIFTERS	SRAM RIVAL DOUBLETAP
BRAKES	SRAM DUAL PIVOT
SIZES	48, 50, 52, 54, 56, 58, 60, 63CM



C13RSS5C / D

### SUPERSIX 5 105

FRAME	SUPERSIX, FULL CARBON
FORK	SUPERSIX, FULL CARBON, ALLOY DROPOUTS
WHEELS	SHIMANO RS-10

TIRES	SCHWALBE LUGANO, 700X23C, FOLDING
CRANKS	FSA GOSSAMER PRO, BB30, 50/34 (OPTION: 53/39)
DERAILLEURS	SHIMANO 105 5700

MAGNESIUM WHITE W/ BERSERKER GREEN AND NU TEAM BLUE ACCENTS, GLOSS (REP)

SHIFTERS	SHIMANO 105 5700
BRAKES	TEKTRO R580
SIZES	48, 50, 52, 54, 56, 58, 60, 63CM



JET BLACK W/ CHARCOAL GREY AND FINE SILVER ACCENTS, MATTE (BBQ)



C13RSS6C

### SUPERSIX 6 TIAGRA

FRAME	SUPERSIX, FULL CARBON
FORK	SUPERSIX, FULL CARBON, ALLOY DROPOUTS
WHEELS	SHIMANO R501

TIRES	SCHWALBE LUGANO, 700X23C
CRANKS	FSA OMEGA BB30, 50/34
DERAILLEURS	SHIMANO TIAGRA 4600

EXPOSED CARBON W/ CHARCOAL GREY AND RACE RED ACCENTS, MATTE (CRB)

SHIFTERS	SHIMANO TIAGRA 4600
BRAKES	SHIMANO TIAGRA 4600
SIZES	48, 50, 52, 54, 56, 58, 60, 63CM

## > LIGHTWEIGHT FRAME

The **SuperSix** frame weighs a mere 1050 grams, and offers the lively ride and explosive acceleration Cannondale's are known for.

## > HOURLASS SEAT STAYS

A subtle hourglass-shaped bend and refined load-specific carbon lay-up give the **SuperSix** seat stays the ability to absorb road shock and vibration, improving both comfort and control.

## > BEATBOX BB / BB30

13 years ago, Cannondale revolutionized the crank/BB interface by inventing **BB30**. Here it is housed in the massively oversized **BeatBox** bottom bracket area for maximum power transfer.

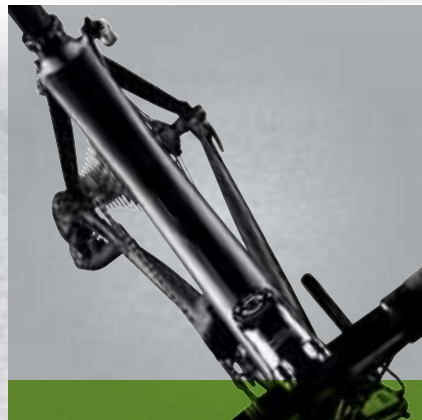


# CAAD10

## > THE WORLD'S FINEST ALUMINUM ROAD RACING MACHINE.

With a frame that weighs just 1150 grams, **CAAD10** is not only lighter than many competitors' elite carbon frames, but also stiffer and smoother, making it the perfect choice for aspiring racers or anyone seeking a high-performance alternative to carbon.

ROAD ELITE ROAD  
PERFORMANCE ROAD  
TRIATHLON / TIME TRIAL  
CYCLOCROSS



### > SMARTFORMED 6069 ALLOY CONSTRUCTION

A complex mix of hydroforming, mechanical shaping, taper-butting, double-pass smooth welding and heat treating, **SmartForming** is the most advanced aluminum construction in the world, for lighter, stronger frames.



### > SPEED SAVE STAYS

The flattened shape and internal butting of the **CAAD10's** seat stays and chain stays allow them to flex vertically, but stay stiff laterally and torsionally. This lets the rear wheel track the ground, improving speed, cornering, grip and comfort.



### > SPEED SAVE FORK

This 390 gram fork features an 1-1/8" to 1-1/4" tapered steerer for the best balance of weight and stiffness, and offset dropouts, which allow for more fork angle and compliance without affecting handling. The **SPEED SAVE** fork is tuned to work with the **SPEED SAVE** stays as a micro-suspension system.



C13RAXIC / D

### CAAD10, BLACK EDITION

FRAME	CAAD10, D12 SPECIFIC, SMARTFORMED 6069 ALLOY, SPEED SAVE
FORK	CAAD10, SPEED SAVE FULL CARBON
WHEELS	SHIMANO ULTEGRA D12

TIRES	SCHWALBE DURANO S, 700X23C, FOLDING
CRANKS	FSA SL-K LIGHT CARBON BB30, 50/34 (OPTION: 53/39)
DERAILLEURS	SHIMANO ULTEGRA D12

BLACK ANODIZED, I LOVE GOLD ACCENTS, MATTE (BLA)

SHIFTERS	SHIMANO ULTEGRA D12
BRAKES	SHIMANO ULTEGRA 6700
SIZES	48, 50, 52, 54, 56, 58, 60, 63CM





BRUSHED ALUMINUM W/ JET BLACK AND MAGNESIUM WHITE ACCENTS, GLOSS (RAW)

C13RAX2C / D  
**CAAD10 2 FORCE, RACING EDITION**

<b>FRAME</b>	CAAD10, SMARTFORMED 6069 ALLOY, SPEED SAVE
<b>FORK</b>	CAAD10, SPEED SAVE FULL CARBON
<b>WHEELS</b>	FSA ENERGY 20H FRONT, 24H REAR

<b>TIRES</b>	SCHWALBE DURANO S, 700X23C, FOLDING
<b>CRANKS</b>	SRAM S900 CARBON, BB30, 50/34 (OPTION: 53/39)
<b>DERAILLEURS</b>	SRAM FORCE

<b>SHIFTERS</b>	SRAM FORCE DOUBLETAP
<b>BRAKES</b>	SRAM FORCE
<b>SIZES</b>	48, 50, 52, 54, 56, 58, 60, 63CM



MAGNESIUM WHITE W/ JET BLACK AND CHARCOAL GREY ACCENTS, MATTE (BBQ)

C13RAX4C / D  
**CAAD10 4 RIVAL**

<b>FRAME</b>	CAAD10, SMARTFORMED 6069 ALLOY, SPEED SAVE
<b>FORK</b>	CAAD10, SPEED SAVE FULL CARBON
<b>WHEELS</b>	FULCRUM RACING 7

<b>TIRES</b>	SCHWALBE LUGANO, 700X23C, FOLDING
<b>CRANKS</b>	FSA ENERGY BB30, 50/34 (OPTION: 53/39)
<b>DERAILLEURS</b>	SRAM RIVAL

<b>SHIFTERS</b>	SRAM RIVAL DOUBLETAP
<b>BRAKES</b>	SRAM DUAL PIVOT
<b>SIZES</b>	48, 50, 52, 54, 56, 58, 60, 63CM



BRUSHED ALUMINUM W/ JET BLACK AND MAGNESIUM WHITE ACCENTS, GLOSS (RAW)

C13RAX3C / D  
**CAAD10 3 ULTEGRA**

<b>FRAME</b>	CAAD10, SMARTFORMED 6069 ALLOY, SPEED SAVE
<b>FORK</b>	CAAD10, SPEED SAVE FULL CARBON
<b>WHEELS</b>	MAVIC AKSIUM WTS

<b>TIRES</b>	MAVIC AKSIUM, 700X23C, FOLDING
<b>CRANKS</b>	FSA SL-K LIGHT CARBON BB30, 50/34 (OPTION: 53/39)
<b>DERAILLEURS</b>	SHIMANO ULTEGRA 6700

<b>SHIFTERS</b>	SHIMANO ULTEGRA 6700
<b>BRAKES</b>	SHIMANO ULTEGRA 6700
<b>SIZES</b>	48, 50, 52, 54, 56, 58, 60, 63CM



BRUSHED ALUMINUM W/ JET BLACK AND MAGNESIUM WHITE ACCENTS, GLOSS (RAW)

C13RAX5C / D  
**CAAD10 5 105**

<b>FRAME</b>	CAAD10, SMARTFORMED 6069 ALLOY, SPEED SAVE
<b>FORK</b>	CAAD10, SPEED SAVE FULL CARBON
<b>WHEELS</b>	SHIMANO RS-10

<b>TIRES</b>	SCHWALBE LUGANO, 700X23C, FOLDING
<b>CRANKS</b>	FSA GOSSAMER PRO, BB30, 50/34 (OPTION: 53/39)
<b>DERAILLEURS</b>	SHIMANO 105 5700

<b>SHIFTERS</b>	SHIMANO 105 5700
<b>BRAKES</b>	TEKTRO R580
<b>SIZES</b>	48, 50, 52, 54, 56, 58, 60, 63CM



# CAAD8

## > FAST STARTER.

With its lightest-in-class frame, more forgiving Heads-Up Race geometry, **CAAD10**-derived tubeshapes and unmistakable Cannondale ride-feel, the **CAAD8** provides an extremely high-performance entry-point into the world of road cycling.



C13RA85C

### CAAD8 5 105

<b>FRAME</b>	CAAD8, OPTIMIZED 6061 ALLOY, SAVE, BB30
<b>FORK</b>	CANNONDALE ULTRA, CARBON BLADES
<b>WHEELS</b>	MADDUX RS 3.0 SPEED, 32 HOLE W/ FORMULA HUBS

<b>TIRES</b>	SCHWALBE LUGANO, 700X23C
<b>CRANKS</b>	FSA GOSSAMER, BB30, 50/34
<b>DERAILLEURS</b>	SHIMANO 105 5700

BRUSHED ALUMINUM, GLOSS (RAW)

<b>SHIFTERS</b>	SHIMANO 105 5700
<b>BRAKES</b>	TEKTRO R540, DUAL PIVOT
<b>SIZES</b>	48, 51, 54, 56, 58, 61CM



JET BLACK W/ CHARCOAL GREY AND SILVER ACCENTS, MATTE (BBQ)

### > HEADS-UP RACE GEOMETRY

The **CAAD8** shares the proven race geometry of its more expensive brethren but with a slightly taller head tube (+1.5 mm) for a more relaxed riding position.

### > SAVE STAYS

Optimized chain stay and seat stay shaping provides lateral rigidity while providing vertical compliance for bump absorption and comfort with no loss in power transfer.

### > CANNONDALE ALUMINUM CRAFTING

A true smooth weld, rather than the sand, putty, and paint “smooth welds” found on other bikes, Cannondale’s trademark double-pass smooth weld technology eliminates the stress-risers and weak points found on traditionally welded frames, enabling us to build lighter, stronger frames.

ROAD ELITE ROAD  
PERFORMANCE ROAD  
TRIATHLON / TIME TRIAL  
CYCLOCROSS



C13RA86C

### CAAD8 6 TIAGRA

<b>FRAME</b>	CAAD8, OPTIMIZED 6061 ALLOY, SAVE, BB30
<b>FORK</b>	CANNONDALE ULTRA, CARBON BLADES
<b>WHEELS</b>	MADDUX RS 3.0, 32 HOLE W/ C4 HUBS

<b>TIRES</b>	SCHWALBE LUGANO, 700X23C
<b>CRANKS</b>	FSA OMEGA BB30, 50/34
<b>DERAILLEURS</b>	SHIMANO TIAGRA 4600



JET BLACK, GLOSS (BLK)

MAGNESIUM WHITE, GLOSS (REP)

<b>SHIFTERS</b>	SHIMANO TIAGRA 4600
<b>BRAKES</b>	CANNONDALE C4, DUAL PIVOT
<b>SIZES</b>	48, 51, 54, 56, 58, 61CM



C13RA87C

### CAAD8 7 SORA

<b>FRAME</b>	CAAD8, OPTIMIZED 6061 ALLOY, SAVE
<b>FORK</b>	CANNONDALE ULTRA, CARBON BLADES
<b>WHEELS</b>	MADDUX RS 3.0, 32 HOLE W/ C4 HUBS

<b>TIRES</b>	SCHWALBE LUGANO, 700X23C
<b>CRANKS</b>	FSA VERO, 50/34
<b>DERAILLEURS</b>	SHIMANO SORA



CHARCOAL GREY, MATTE (GRY)

MAGNESIUM WHITE, GLOSS (WHT)

<b>SHIFTERS</b>	SHIMANO SORA
<b>BRAKES</b>	CANNONDALE C4, DUAL PIVOT
<b>SIZES</b>	48, 51, 54, 56, 58, 61CM



C13RA88C

### CAAD8 8 2300

<b>FRAME</b>	CAAD8, OPTIMIZED 6061 ALLOY, SAVE
<b>FORK</b>	CANNONDALE ULTRA, CARBON BLADES
<b>WHEELS</b>	MADDUX RS 3.0, 32 HOLE W/ C4 HUBS

<b>TIRES</b>	SCHWALBE LUGANO, 700X23C
<b>CRANKS</b>	SHIMANO 2300 50/34
<b>DERAILLEURS</b>	SHIMANO 2300

JET BLACK, GLOSS (BLK)

<b>SHIFTERS</b>	SHIMANO 2300
<b>BRAKES</b>	PROMAX ALLOY CALIPER
<b>SIZES</b>	48, 51, 54, 56, 58, 61CM



# SYNAPSE

## ELITE-RACE PERFORMANCE MEETS ALL-DAY COMFORT.

Like the best grand touring automobiles, our **Synapse** line of Performance road bikes fuses aggressive performance with refined luxury. Pro level stiffness and light weight meet bump-eating smoothness and a riding position that encourages long days in the saddle. Whether you choose the ultra-light **Synapse Hi-MOD**, the smooth-riding **Synapse Carbon**, or the versatile **Synapse Alloy**, you'll find that FAST never felt so good.



### SAVE PLUS REAR MICRO-SUSPENSION SYSTEM

The directional carbon lay-up and exaggerated vibration-absorbing tube shapes of the **SAVE PLUS** chain stay/seat stay system offer incredible comfort, while actually improving the frame's lateral and torsional stiffness.



### SAVE PLUS FULL CARBON FORK

Offset dropouts allow the fork blades to have the vertical compliance of a shallow rake fork, while maintaining **Synapse's** nimble, precise handling. Refined carbon lay-up and **SAVE** shaping further enhance the fork's vertical compliance. Tuned to work with the **SAVE PLUS** rear triangle.



### PERFORMANCE GEOMETRY

Compared with our Elite race geometry, the **Synapse** features a 2-2.5 cm taller head tube, a slightly relaxed head angle and a longer wheelbase for a more upright riding position and a stable yet lively feel. It's confidence-inspiring and relaxing without the sluggish feel and awkward handling of many "comfort" road bikes.



ROAD  
ELITE ROAD  
PERFORMANCE ROAD  
TRIATHLON / TIME TRIAL  
CYCLOCROSS

C13RCL1C

### SYNAPSE HI-MOD, BLACK EDITION

FRAME	SYNAPSE HI-MOD FULL CARBON, SAVE PLUS
FORK	SYNAPSE SAVE PLUS, HI-MOD FULL CARBON
WHEELS	MAVIC KSYRIUM SLS

TIRES	MAVIC KYSION, GRIPLINK FRONT AND POWERLINK REAR, 700X25C, FOLDING
CRANKS	CANNONDALE HOLLOWGRAM SISL <sup>2</sup> , CANNONDALE OPT SPIDERING, 50-34, 11-SPEED
DERAILLEURS	SHIMANO DURA ACE 9000

NEARLY BLACK W/ MAGNESIUM WHITE ACCENTS, MATTE (BLE)

SHIFTERS	SHIMANO DURA ACE 9000
BRAKES	SHIMANO DURA ACE 9000
SIZES	48, 51, 54, 56, 58, 61CM



EXPOSED CARBON W/ MAGNESIUM WHITE AND FINE SILVER ACCENTS, MATTE (BBQ)

C13RCL2C

## SYNAPSE HI-MOD RED

<b>FRAME</b>	SYNAPSE HI-MOD FULL CARBON, SAVE PLUS
<b>FORK</b>	SYNAPSE SAVE PLUS, HI-MOD FULL CARBON
<b>WHEELS</b>	MAVIC KSYRIUM ELITE S WTS

<b>TIRES</b>	MAVIC YKSION, GRIPLINK FRONT AND POWERLINK REAR, 700X25C, FOLDING
<b>CRANKS</b>	SRAM S951 CARBON, BB30, 50/34
<b>DERAILLEURS</b>	SRAM RED

MAGNESIUM WHITE W/ BERSERKER GREEN AND NU TEAM BLUE ACCENTS, GLOSS (WHT)

<b>SHIFTERS</b>	SRAM RED DOUBLETAP
<b>BRAKES</b>	SRAM RED
<b>SIZES</b>	48, 51, 54, 56, 58, 61CM



EXPOSED CARBON W/ MAGNESIUM WHITE AND FINE SILVER ACCENTS, MATTE (BBQ)

C13RCL3C

## SYNAPSE HI-MOD 3 ULTEGRA

<b>FRAME</b>	SYNAPSE HI-MOD FULL CARBON, SAVE PLUS
<b>FORK</b>	SYNAPSE SAVE PLUS, HI-MOD FULL CARBON
<b>WHEELS</b>	MAVIC KSYRIUM EQUIPE S WTS

<b>TIRES</b>	MAVIC WTS 700X25C
<b>CRANKS</b>	FSA SL-K LIGHT CARBON BB30, 50/34
<b>DERAILLEURS</b>	SHIMANO ULTEGRA 6700

MAGNESIUM, WHITE W/ JET BLACK AND ULTRA BLUE ACCENTS, GLOSS (BLU)

<b>SHIFTERS</b>	SHIMANO ULTEGRA 6700
<b>BRAKES</b>	SHIMANO ULTEGRA 6700
<b>SIZES</b>	48, 51, 54, 56, 58, 61CM





MAGNESIUM WHITE W/ JET BLACK AND RACE RED ACCENTS, GLOSS (WHT)

C13RCS3C  
**SYNAPSE CARBON 3 ULTEGRA**

<b>FRAME</b>	SYNAPSE, FULL CARBON, SAVE PLUS
<b>FORK</b>	SYNAPSE SAVE PLUS, FULL CARBON
<b>WHEELS</b>	MAVIC AKSIUM WTS

<b>TIRES</b>	MAVIC AKSION, 700X25C, FOLDING
<b>CRANKS</b>	FSA SL-K LIGHT CARBON BB30, 50/34
<b>DERAILLEURS</b>	SHIMANO ULTEGRA 6700

<b>SHIFTERS</b>	SHIMANO ULTEGRA 6700
<b>BRAKES</b>	SHIMANO ULTEGRA 6700
<b>SIZES</b>	48, 51, 54, 56, 58, 61CM



EXPOSED CARBON W/ 40 BLUE AND RACE RED ACCENTS, GLOSS (BLU)

C13RCS5C  
**SYNAPSE CARBON 5 105**

<b>FRAME</b>	SYNAPSE, FULL CARBON, SAVE PLUS
<b>FORK</b>	SYNAPSE SAVE PLUS, FULL CARBON
<b>WHEELS</b>	SHIMANO RS-10

<b>TIRES</b>	SCHWALBE LUGANO, 700X25C, FOLDING
<b>CRANKS</b>	FSA GOSSAMER PRO, BB30, 50/34
<b>DERAILLEURS</b>	SHIMANO 105 5700

<b>SHIFTERS</b>	SHIMANO 105 5700
<b>BRAKES</b>	TEKTRO R580
<b>SIZES</b>	48, 51, 54, 56, 58, 61CM



EXPOSED CARBON W/ CHARCOAL GREY AND RACE RED ACCENTS, MATTE (CRB)

C13RCS4C  
**SYNAPSE CARBON 4 RIVAL**

<b>FRAME</b>	SYNAPSE, FULL CARBON, SAVE PLUS
<b>FORK</b>	SYNAPSE SAVE PLUS, FULL CARBON
<b>WHEELS</b>	FULCRUM RACING 7

<b>TIRES</b>	SCHWALBE LUGANO, 700X25C, FOLDING
<b>CRANKS</b>	FSA ENERGY BB30, 50/34
<b>DERAILLEURS</b>	SRAM RIVAL

<b>SHIFTERS</b>	SRAM RIVAL DOUBLETAP
<b>BRAKES</b>	SRAM DUAL PIVOT
<b>SIZES</b>	48, 51, 54, 56, 58, 61CM



C13RCS6C  
**SYNAPSE CARBON 6 TIAGRA**

<b>FRAME</b>	SYNAPSE, FULL CARBON, SAVE PLUS
<b>FORK</b>	SYNAPSE SAVE, CARBON BLADES
<b>WHEELS</b>	SHIMANO R501

<b>TIRES</b>	SCHWALBE LUGANO, 700X25C
<b>CRANKS</b>	FSA OMEGA, BB30, 50/34
<b>DERAILLEURS</b>	SHIMANO TIAGRA 4600

<b>SHIFTERS</b>	SHIMANO TIAGRA 4600
<b>BRAKES</b>	SHIMANO TIAGRA 4600
<b>SIZES</b>	48, 51, 54, 56, 58, 61CM





MAGNESIUM WHITE, GLOSS (WHT)

C13RAS5C / T  
**SYNAPSE 5 105**

<b>FRAME</b>	SYNAPSE ALLOY, OPTIMIZED 6061 ALLOY, SAVE PLUS, BB30
<b>FORK</b>	SYNAPSE SAVE, CARBON BLADES
<b>WHEELS</b>	SHIMANO RS10

<b>TIRES</b>	SCHWALBE LUGANO, 700X25C
<b>CRANKS</b>	FSA GOSSAMER, BB30, 50/34 (OPTION: TRIPLE 50/39/30)
<b>DERAILLEURS</b>	SHIMANO 105 5700

<b>SHIFTERS</b>	SHIMANO 105 5700
<b>BRAKES</b>	TEKTRO R539, DUAL PIVOT, LONG REACH
<b>SIZES</b>	48, 51, 54, 56, 58, 61CM



MAGNESIUM WHITE, GLOSS (WHT)

C13RAS7T  
**SYNAPSE 7 SORA**

<b>FRAME</b>	SYNAPSE ALLOY, OPTIMIZED 6061 ALLOY, SAVE PLUS
<b>FORK</b>	SYNAPSE SAVE, CARBON BLADES
<b>WHEELS</b>	MADDUX RS 3.0, 32 HOLE W/ C4 HUBS

<b>TIRES</b>	SCHWALBE LUGANO, 700X25C
<b>CRANKS</b>	FSA VERO, 50/39/30
<b>DERAILLEURS</b>	SHIMANO SORA

<b>SHIFTERS</b>	SHIMANO SORA
<b>BRAKES</b>	CANNONDALE C4, DUAL PIVOT, LONG REACH
<b>SIZES</b>	48, 51, 54, 56, 58, 61CM



JET BLACK, MATTE (BBQ)

C13RAS6C / T  
**SYNAPSE 6 TIAGRA**

<b>FRAME</b>	SYNAPSE ALLOY, OPTIMIZED 6061 ALLOY, SAVE PLUS, BB30
<b>FORK</b>	SYNAPSE SAVE, CARBON BLADES
<b>WHEELS</b>	MADDUX RS 3.0, 32 HOLE W/ C4 HUBS

<b>TIRES</b>	SCHWALBE LUGANO, 700X25C
<b>CRANKS</b>	FSA OMEGA, BB30, 50/34 (OPTION: TRIPLE 50/39/30)
<b>DERAILLEURS</b>	SHIMANO TIAGRA 4600

<b>SHIFTERS</b>	SHIMANO TIAGRA 4600
<b>BRAKES</b>	CANNONDALE C4, DUAL PIVOT, LONG REACH
<b>SIZES</b>	48, 51, 54, 56, 58, 61CM



C13RAS8T  
**SYNAPSE 8 2300**

<b>FRAME</b>	SYNAPSE ALLOY, OPTIMIZED 6061 ALLOY, SAVE PLUS
<b>FORK</b>	SYNAPSE SAVE, CARBON BLADES
<b>WHEELS</b>	MADDUX RS 3.0, 32 HOLE W/ C4 HUBS

<b>TIRES</b>	KENDA KONTENDER 700X26C
<b>CRANKS</b>	FSA VERO, 50/39/30
<b>DERAILLEURS</b>	SHIMANO 2300

<b>SHIFTERS</b>	SHIMANO 2300
<b>BRAKES</b>	PROMAX DUAL PIVOT, LONG REACH
<b>SIZES</b>	48, 51, 54, 56, 58, 61CM



# SLICE RS

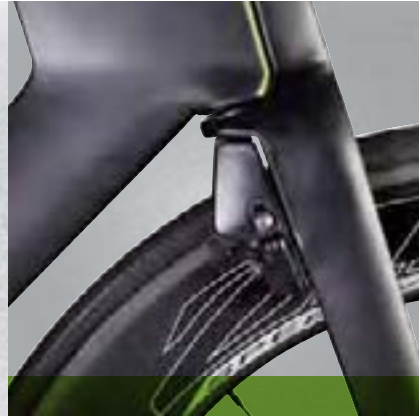
## > NARROW IS AERO™

The **Slice RS** is the ultimate weapon in the race against the clock. Everything on the bike, from the radical steererless fork to the windshadow brakes to the ultra minimalist seat post, is designed to be as narrow as possible, reducing drag and letting the bike and rider slice cleanly through the air. Add in features like our **AERO SAVE** anti-vibration system and **CFit** modular fit set-up and you've got a time-slicing machine that's as comfortable as it is aero.



### > NARROW IS AERO™

The **Naero-Tec** external steerer fork and seatpost help the **Slice RS** present an absolutely minimal amount of frontal area to the wind. The fork design is also extremely stiff for unmatched precise handling.



### > WINDSHADOW BRAKES

The integrated brakes are hidden in the windshadow of the fork and BB. The modified V-brake design is simple to adjust and provides tons of stopping power.



### > AERO SAVE ANTI-VIBRATION SYSTEM / WINDTUNNEL

The carbon layup and angled shapes of the **AERO SAVE** seat stays work with the **Naero Plane** chainstays to absorb shock, reducing fatigue and enhancing control. The **WindTunnel** channel behind the seat tube reduces the pressure drag caused by air packing up between the spinning wheel and the frame.



C13RMS00

### SLICE RS, BLACK EDITION

FRAME	SLICE RS, FULL CARBON, AERO SAVE, NAERO-TEC
FORK	SLICE RS NAERO-TEC CARBON W/ INTEGRATED EXTERNAL STEERER
WHEELS	ZIPP 808 FIRECREST TUBULAR

TIRES	SCHWALBE ULTREMO HT TUBULAR 700X22C
CRANKS	CANNONDALE HOLLOWGRAM SISL2, AERO SPIDER, 54/42
DERAILLEURS	SRAM RED

NEARLY BLACK W/ BERSERKER GREEN ACCENTS, MATTE (BLE)

SHIFTERS	SRAM RED
BRAKES	CANNONDALE NAERO-TEC INTEGRATED MINI-V, CARBON ARMS
SIZES	50, 52, 54, 56, 58CM



C13RMSID

## SLICE RS ULTEGRA Di2

<b>FRAME</b>	SLICE RS, FULL CARBON, AERO SAVE, NAERO-TEC
<b>FORK</b>	SLICE RS NAERO-TEC CARBON W/ INTEGRATED EXTERNAL STEERER
<b>WHEELS</b>	VISION TRIMAX T42

<b>TIRES</b>	SCHWALBE ULTREMIO ZX 700X23C
<b>CRANKS</b>	FSA TRIMAX CARBON RINGS, BB30, 53/39
<b>DERAILLEURS</b>	SHIMANO ULTEGRA Di2

MAGNESIUM WHITE W/ JET BLACK AND RACE RED ACCENTS, GLOSS (WHT)

<b>SHIFTERS</b>	SHIMANO ULTEGRA Di2
<b>BRAKES</b>	CANNONDALE NAERO-TEC INTEGRATED MINI-V
<b>SIZES</b>	50, 52, 54, 56, 58CM



C13RMS3D

## SLICE RS ULTEGRA

<b>FRAME</b>	SLICE RS, FULL CARBON, AERO SAVE, NAERO-TEC
<b>FORK</b>	SLICE RS NAERO-TEC CARBON W/ INTEGRATED EXTERNAL STEERER
<b>WHEELS</b>	MAVIC COSMIC ELITE

<b>TIRES</b>	SCHWALBE DURANO S, 700X23C, FOLDING
<b>CRANKS</b>	FSA TRIMAX ALLOY RINGS, BB30, 53/39
<b>DERAILLEURS</b>	SHIMANO ULTEGRA 6700

MAGNESIUM WHITE W/ JET BLACK AND RACE RED ACCENTS, GLOSS (WHT)

<b>SHIFTERS</b>	SHIMANO DURA-ACE, BAR-END
<b>BRAKES</b>	CANNONDALE NAERO-TEC INTEGRATED MINI-V
<b>SIZES</b>	50, 52, 54, 56, 58CM



# SLICE

## > SIMPLY FAST.

A time-tested, proven design that combines great aerodynamics, stable geometry, light weight and smooth comfort, all in a simple, easy-to-use package. With the world record for the Iron-distance races, the Kona course record and three back-to-back Ironman World Championship victories under its belt, the **Slice's** record speaks for itself.



C13RM2D

### SLICE HI-MOD RED

FRAME	SLICE, HI-MOD CARBON, AERO SAVE
FORK	SLICE AERO, HI-MOD CARBON
WHEELS	FULCRUM RACING 7

TIRES	SCHWALBE DURANO S, 700X23C, FOLDING
CRANKS	NEW CANNONDALE HOLLOWGRAM SI, FSA CHAINRINGS, 53/39T
DERAILLEURS	SRAM RED

MARINER BLUE W/ RACE RED AND 40 BLUE ACCENTS, GLOSS (BLU)

SHIFTERS	SRAM TT 900 CARBON
BRAKES	MAGURA RT-6 TT HYDRAULIC CALIPER
SIZES	51, 54, 56, 58, 60CM

### > AERO SAVE MICRO-SUSPENSION SYSTEM

An elegant combination of directional tube shaping and sophisticated carbon lay-up allows the rear chain stays and seat stays to deflect together vertically, so the bike absorbs the shock, not you. Stay aero longer and come off the bike faster.

### > STABLE GEOMETRY

Unlike the nervous, twitchy handling of some aero frames, the **Slice's** geometry is designed to provide stable and confidence inspiring handling while in the aero position, allowing you to relax and focus on your ride.

### > SIMPLE SET-UP

Standard road brakes, a normal stem/steerer design, straightforward cable routing and vertical rear dropouts all sacrifice some aero advantage to the superbike designs, but ease set-up, travel and maintenance.

ROAD  
ELITE ROAD  
PERFORMANCE ROAD  
TRIATHLON / TIME TRIAL  
CYCLOCROSS



C13RM3D

### SLICE 3 ULTEGRA

FRAME	SLICE, FULL CARBON, AERO SAVE
FORK	SLICE AERO, FULL CARBON
WHEELS	FULCRUM RACING 7

TIRES	SCHWALBE LUGANO, 700X23C, FOLDING
CRANKS	FSA GOSSAMER TT, BB30, 52/38
DERAILLEURS	SHIMANO ULTEGRA 6700

MAGNESIUM WHITE W/ ULTRA BLUE, GLOSS (WHT)

SHIFTERS	SHIMANO DURA-ACE, BAR-END
BRAKES	SHIMANO ULTEGRA 6700
SIZES	51, 54, 56, 58, 60CM



C13RM5D

### SLICE 5 105

FRAME	SLICE, FULL CARBON, AERO SAVE
FORK	SLICE AERO, FULL CARBON
WHEELS	SHIMANO RS-10

TIRES	SCHWALBE LUGANO, 700X23C
CRANKS	FSA GOSSAMER PRO, BB30, 53/39
DERAILLEURS	SHIMANO 105 5700

JET BLACK W/ CHARCOAL GREY, MATTE (BBQ)

SHIFTERS	MICROSHIFT BAR-END
BRAKES	TEKTRO R580
SIZES	51, 54, 56, 58, 60CM

# SUPERX

> SIMPLY THE WORLD'S MOST ADVANCED CYCLOCROSS MACHINE.

The **SuperX** is lighter than most road bikes, unmatched in stiffness-to-weight and smoother than a belgian beer. Nothing accelerates faster, corners harder or is easier to shoulder than the **SuperX** - the ultimate race weapon for those who live to battle it out in the glorious frozen grime of cyclocross.



C13XC0C

## SUPERX HI-MOD DISC

FRAME	SUPERX DISC, BALLISTEC HI-MOD CARBON, SPEED SAVE
FORK	SUPERX, BALLISTEC HI-MOD CARBON
WHEELS	STANS ALPHA 340 DISC, TUBELESS, 24H FRONT, 28H REAR

TIRES	SCHWALBE RACING RALPH 700X33C
CRANKS	FSA SL-K LIGHT CARBON BB30, 46/36
DERAILLEURS	SRAM RED

JET BLACK W/ BERSERKER GREEN AND MAGNESIUM WHITE ACCENTS, GLOSS (GRN)

SHIFTERS	SRAM RED DOUBLETAP
BRAKES	AVID BB7 ULTIMATE
SIZES	44, 48, 52, 54, 56, 58CM

### > BALLISTEC CARBON

Our High-Strength, High-Impact carbon construction proves that carbon frames can be both ultra-light and super durable. **SuperX** is available in both the absurdly light high-modulus or the merely extraordinarily light standard **BallisTec Carbon** construction options.

### > SPEED SAVE VIBRATION ELIMINATION TECHNOLOGY

The chain stays and seat stays on the **SuperX** feature our trademark **SPEED SAVE** technology. Flattened cross-sections and sophisticated carbon layup allows the **SPEED SAVE** features to act like a micro-suspension system, deflecting vertically to absorb trail shock and vibration, while staying extremely rigid laterally for power transfer and confident cornering.

### > DISK BRAKES

For the first time, the exceptional cyclocross performance of the **SuperX** will be available with the all-weather stopping power, mud clearance and controlled modulation of disk brakes.





C13XC1C  
**SUPERX HI-MOD ULTEGRA Di2**

<b>FRAME</b>	SUPERX, Di2 SPECIFIC, BALLISTEC HI-MOD CARBON, SPEED SAVE
<b>FORK</b>	SUPERX, BALLISTEC HI-MOD CARBON
<b>WHEELS</b>	SHIMANO ULTEGRA 6700 TUBELESS

<b>TIRES</b>	SCHWALBE RACING RALPH 700X33C
<b>CRANKS</b>	FSA SL-K LIGHT CARBON BB30, 46/36
<b>DERAILLEURS</b>	SHIMANO ULTEGRA Di2

JET BLACK W/ BERSERKER GREEN AND MAGNESIUM WHITE ACCENTS, GLOSS (GRN)

<b>SHIFTERS</b>	SHIMANO ULTEGRA Di2
<b>BRAKES</b>	TRP EURO-X ALLOY
<b>SIZES</b>	44, 48, 52, 54, 56, 58CM



C13XC3C  
**SUPERX CARBON ULTEGRA**

<b>FRAME</b>	SUPERX, BALLISTEC CARBON, SPEED SAVE
<b>FORK</b>	SUPERX, BALLISTEC CARBON
<b>WHEELS</b>	MAVIC KSYRIUM EQUIPE

<b>TIRES</b>	SCHWALBE RAPID ROB, 700X35C
<b>CRANKS</b>	FSA GOSSAMER PRO, BB30, 46/36
<b>DERAILLEURS</b>	SHIMANO ULTEGRA 6700

JET BLACK W/ MAGNESIUM WHITE, GLOSS (WHT)

<b>SHIFTERS</b>	SHIMANO ULTEGRA 6700
<b>BRAKES</b>	TRP EURO-X ALLOY
<b>SIZES</b>	44, 48, 52, 54, 56, 58CM

**KAITLIN ANTONNEAU**  
CANNONDALE-  
CYCLOCROSSWORLD.COM

“My SuperX is proportionate in every way, but it doesn’t feel forced. Small bikes are tough to do but the CX is perfect for me.”



C13XC4C  
**SUPERX CARBON RIVAL**

<b>FRAME</b>	SUPERX, BALLISTEC CARBON, SPEED SAVE
<b>FORK</b>	SUPERX, BALLISTEC CARBON
<b>WHEELS</b>	FULCRUM RACING 7 CX

<b>TIRES</b>	SCHWALBE RAPID ROB, 700X35C
<b>CRANKS</b>	FSA GOSSAMER PRO, BB30, 46/36
<b>DERAILLEURS</b>	SRAM RIVAL

JET BLACK W/ MAGNESIUM WHITE, GLOSS (WHT)

<b>SHIFTERS</b>	SRAM RIVAL DOUBLETAP
<b>BRAKES</b>	TRP EURO-X ALLOY
<b>SIZES</b>	44, 48, 52, 54, 56, 58CM



# CAADX

## > CROSS. FUNCTIONAL.

Race on Sunday, commute on Monday. Race performance meets functional versatility in the all-new **CAADX** cyclocross bikes. The **CAAD10** and **SuperX**-inspired design attests to its racing heritage while rack and fender mounts and a slightly more upright position expand its usability.



C13XRIC

### CAADX DISC ULTEGRA

<b>FRAME</b>	CAADX CYCLOCROSS DISC, OPTIMIZED 6061 ALLOY, BB30
<b>FORK</b>	CANNONDALE ULTRA X, CARBON BLADES
<b>WHEELS</b>	MADDUX CX 2.0 DISC W/ FORMULA HUBS

<b>TIRES</b>	SCHWALBE SAMMY SLICK, 700X35C
<b>CRANKS</b>	FSA GOSSAMER, BB30, 46/36
<b>DERAILLEURS</b>	SHIMANO ULTEGRA 6700

BLACK ANODIZED, MATTE (BLA)

<b>SHIFTERS</b>	SHIMANO ULTEGRA 6700
<b>BRAKES</b>	CANNONDALE MB700T DISC
<b>SIZES</b>	44, 48, 51, 54, 56, 58, 61CM

### > RELAXED RACE GEOMETRY

The **CAADX** has a slightly taller head tube and slightly slacker head tube angle than the **SuperX**, providing a more upright position and stable handling ideal for racing, commuting and rough-road adventure riding.

### > SAVE STAYS

The flattened shape and refined butting of the stays offer significant vertical compliance for comfort and control over rough surfaces, while remaining laterally rigid for solid power transfer and confident handling.

### > ALL-WEATHER READY

Rack and fender compatibility makes the **CAADX** ready for duty as a fast commuter or winter training rig, while disk brakes on the top model offer unprecedented power and control.



C13XR5C

### CAADX 105

<b>FRAME</b>	CAADX CYCLOCROSS, OPTIMIZED 6061 ALLOY, BB30
<b>FORK</b>	CANNONDALE ULTRA X, CARBON BLADES
<b>WHEELS</b>	MADDUX DRX 6000, 32 HOLE W/ FORMULA HUBS

<b>TIRES</b>	SCHWALBE SAMMY SLICK, 700X35C
<b>CRANKS</b>	FSA GOSSAMER, BB30, 46/36
<b>DERAILLEURS</b>	SHIMANO 105 5700

BRUSHED ALUMINUM, GLOSS (RAW)

<b>SHIFTERS</b>	SHIMANO 105 5700
<b>BRAKES</b>	TEKTRO CR710
<b>SIZES</b>	44, 48, 51, 54, 56, 58, 61CM



C13XR6C

### CAADX TIAGRA

<b>FRAME</b>	CAADX CYCLOCROSS, OPTIMIZED 6061 ALLOY, BB30
<b>FORK</b>	CANNONDALE ULTRA X, CARBON BLADES
<b>WHEELS</b>	MADDUX DRX 6000, 32 HOLE W/ C4 HUBS

<b>TIRES</b>	SCHWALBE SAMMY SLICK, 700X35C
<b>CRANKS</b>	FSA OMEGA BB30, 46/36
<b>DERAILLEURS</b>	SHIMANO TIAGRA 4600

JET BLACK, MATTE (BBQ)

<b>SHIFTERS</b>	SHIMANO TIAGRA 4600
<b>BRAKES</b>	TEKTRO CR520
<b>SIZES</b>	44, 48, 51, 54, 56, 58, 61CM



C13XR7C

### CAADX SORA

<b>FRAME</b>	CAADX CYCLOCROSS, OPTIMIZED 6061 ALLOY
<b>FORK</b>	CANNONDALE ULTRA X, CARBON BLADES
<b>WHEELS</b>	MADDUX DRX 6000, 32 HOLE W/ C4 HUBS

<b>TIRES</b>	SCHWALBE SAMMY SLICK, 700X35C
<b>CRANKS</b>	FSA VERO CROSS COMPACT 46/36
<b>DERAILLEURS</b>	SHIMANO SORA 3500

FINE SILVER, GLOSS (SLV)

<b>SHIFTERS</b>	SHIMANO SORA 3500
<b>BRAKES</b>	TEKTRO CR520
<b>SIZES</b>	44, 48, 51, 54, 56, 58, 61CM



## SUPERSIX EVO, BLACK EDITION

<b>CODE</b>	C13RSEBD
<b>FRAME</b>	SUPERSIX EVO, BALLISTEC NANO CARBON, SPEED SAVE, PRESSFIT BB30
<b>FORK</b>	SUPERSIX EVO, SPEED SAVE, BALLISTEC NANO CARBON, 1-1/8" TO 1-1/4" STEERER
<b>RIMS</b>	NVE ROAD 25MM 20H FRONT, 24H REAR
<b>HUBS</b>	DT SWISS 240, 20H FRONT, 24H REAR, 11-SPEED
<b>SPOKES</b>	DT SWISS AEROLITE
<b>TIRES</b>	SCHWALBE ULTREMO LIGHT TUBULAR 22MM
<b>PEDALS</b>	N/A
<b>CRANK</b>	CANNONDALE HOLLOWGRAM SISL2, W/ OPI SPIDERING, 53-39, 11-SPEED
<b>CRANK OPTION</b>	50/34 COMPACT SPIDERING INCLUDED
<b>BOTTOM BRACKET</b>	CANNONDALE ALUMINUM PF30 BB CUP, FSA CERAMIC BB30 BEARING
<b>CHAIN</b>	SHIMANO DURA ACE 9000
<b>REAR COGS</b>	SHIMANO DURA ACE 9000, 11-25, 11-SPEED
<b>FR. DERAILLEUR</b>	SHIMANO DURA ACE 9000
<b>REAR DERAILLEUR</b>	SHIMANO DURA ACE 9000
<b>SHIFTERS</b>	SHIMANO DURA ACE 9000
<b>HANDLEBAR</b>	NVE CARBON ROAD COMPACT 31.8MM
<b>GRIPS</b>	FIZIK BAR TAPE
<b>STEM</b>	ENVE CARBON ROAD, 31.8, 6 DEG
<b>HEADSET</b>	SUPERSIX EVO SL, 1-1/4" LOWER BEARING, 15MM CARBON TOP COVER (W/ 5MM ALLOY HIDDEN TOP COVER)
<b>BRAKES</b>	SHIMANO DURA ACE 9000
<b>BRAKE LEVERS</b>	SHIMANO DURA ACE 9000
<b>SADDLE</b>	FIZIK ANTARES 00, WING FLEX, CARBON RAILS
<b>SEATPOST</b>	ENVE CARBON ROAD 27.2MMX350MM
<b>SIZES</b>	48, 50, 52, 54, 56, 58, 60, 63CM
<b>COLOR 1 (CODE)</b>	NEARLY BLACK W/ 40 BLUE ACCENTS, MATTE (BLE)
<b>COLOR 2 (CODE)</b>	N/A

## SUPERSIX EVO HI-MOD DURA ACE Di2

<b>CODE</b>	C13RSEID
<b>FRAME</b>	SUPERSIX EVO, BALLISTEC HI-MOD CARBON, Di2 SPECIFIC, SPEED SAVE, PRESSFIT BB30
<b>FORK</b>	SUPERSIX EVO, SPEED SAVE, BALLISTEC HI-MOD FULL CARBON, 1-1/8" TO 1-1/4" STEERER
<b>RIMS</b>	MAVIC KSYRIUM SLR WTS
<b>HUBS</b>	MAVIC KSYRIUM SLR
<b>SPOKES</b>	MAVIC KSYRIUM SLR
<b>TIRES</b>	MAVIC YKSION, GRIPLINK FRONT AND POWERLINK REAR, 700X23C, FOLDING
<b>PEDALS</b>	N/A
<b>CRANK</b>	CANNONDALE HOLLOWGRAM SISL2, W/ OPI SPIDERING, 53-39, 11-SPEED
<b>CRANK OPTION</b>	50/34 COMPACT SPIDERING INCLUDED
<b>BOTTOM BRACKET</b>	CANNONDALE ALUMINUM PF30 BB CUP, FSA CERAMIC BB30 BEARING
<b>CHAIN</b>	SHIMANO DURA ACE 9000
<b>REAR COGS</b>	SHIMANO DURA ACE 9000, 11-25, 11-SPEED
<b>FR. DERAILLEUR</b>	SHIMANO DURA ACE Di2 9070
<b>REAR DERAILLEUR</b>	SHIMANO DURA ACE Di2 9070
<b>SHIFTERS</b>	SHIMANO DURA ACE Di2 9070
<b>HANDLEBAR</b>	FSA K-FORCE CARBON COMPACT
<b>GRIPS</b>	FIZIK BAR TAPE
<b>STEM</b>	FSA OS-99 CSI
<b>HEADSET</b>	SUPERSIX EVO, 1-1/4" LOWER BEARING, 25MM CARBON TOP COVER (W/ 5MM ALLOY HIDDEN TOP COVER)
<b>BRAKES</b>	SHIMANO DURA ACE 9000
<b>BRAKE LEVERS</b>	SHIMANO Di2 9070
<b>SADDLE</b>	FIZIK ANTARES, K-IUM RAILS
<b>SEATPOST</b>	FSA K-FORCE CARBON, 27.2X350MM
<b>SIZES</b>	48, 50, 52, 54, 56, 58, 60, 63CM
<b>COLOR 1 (CODE)</b>	EXPOSED CARBON W/ CHARCOAL GREY AND RACE RED ACCENTS, MATTE (CRB)
<b>COLOR 2 (CODE)</b>	N/A

## SUPERSIX EVO HI-MOD TEAM

<b>CODE</b>	C13RSE0D
<b>FRAME</b>	SUPERSIX EVO, BALLISTEC HI-MOD CARBON, SPEED SAVE, PRESSFIT BB30
<b>FORK</b>	SUPERSIX EVO, SPEED SAVE, BALLISTEC HI-MOD FULL CARBON, 1-1/8" TO 1-1/4" STEERER
<b>RIMS</b>	MAVIC COSMIC CARBONE SLR WTS
<b>HUBS</b>	MAVIC COSMIC CARBONE SLR
<b>SPOKES</b>	MAVIC COSMIC CARBONE SLR
<b>TIRES</b>	MAVIC YKSION, GRIPLINK FRONT AND POWERLINK REAR, 700X23C, FOLDING
<b>PEDALS</b>	N/A
<b>CRANK</b>	CANNONDALE HOLLOWGRAM SISL2, W/ OPI SPIDERING 53-39, 10-SPEED
<b>CRANK OPTION</b>	50/34 COMPACT SPIDERING INCLUDED
<b>BOTTOM BRACKET</b>	CANNONDALE ALUMINUM PF30 BB CUP, FSA CERAMIC BB30 BEARING
<b>CHAIN</b>	SRAM PC-1091R, 10-SPEED
<b>REAR COGS</b>	SRAM RED, 11-26, 10-SPEED
<b>FR. DERAILLEUR</b>	SRAM RED, BRAZE ON
<b>REAR DERAILLEUR</b>	SRAM RED
<b>SHIFTERS</b>	SRAM RED DOUBLETAP
<b>HANDLEBAR</b>	FSA K-FORCE CARBON NANO
<b>GRIPS</b>	FIZIK BAR TAPE
<b>STEM</b>	FSA K-FORCE CARBON, 31.8, 6 DEG
<b>HEADSET</b>	SUPERSIX EVO, 1-1/4" LOWER BEARING, 25MM CARBON TOP COVER (W/ 5MM ALLOY HIDDEN TOP COVER)
<b>BRAKES</b>	SRAM RED
<b>BRAKE LEVERS</b>	SRAM RED
<b>SADDLE</b>	FIZIK ANTARES, BRAIDED CARBON RAILS
<b>SEATPOST</b>	FSA K-FORCE CARBON, 27.2X350MM
<b>SIZES</b>	48, 50, 52, 54, 56, 58, 60, 63CM
<b>COLOR 1 (CODE)</b>	TEAM REPLICA, GLOSS (LIQ)
<b>COLOR 2 (CODE)</b>	N/A

	SUPERSIX EVO HI-MOD DURA ACE	SUPERSIX EVO HI-MOD RED, RACING EDITION	SUPERSIX EVO ULTEGRA DI2	SUPERSIX EVO 2 RED	SUPERSIX 3 ULTEGRA
<b>CODE</b>	C13RSE1D	C13RSERC	C13RSSIC, C13RSSID	C13RSS2C, C13RSS2D	C13RSS3C, C13RSS3D
<b>FRAME</b>	SUPERSIX EVO, BALLISTEC HI-MOD CARBON, SPEED SAVE, PRESSFIT BB30	SUPERSIX EVO, BALLISTEC HI-MOD CARBON, SPEED SAVE, PRESSFIT BB30	SUPERSIX EVO, BALLISTEC CARBON, DI2 SPECIFIC, SPEED SAVE, PRESSFIT BB30	SUPERSIX EVO, BALLISTEC CARBON, SPEED SAVE, PRESSFIT BB30	SUPERSIX, FULL CARBON, BB30
<b>FORK</b>	SUPERSIX EVO, SPEED SAVE, BALLISTEC HI-MOD FULL CARBON, 1-1/8" TO 1-1/4" STEERER	SUPERSIX EVO, SPEED SAVE, BALLISTEC HI-MOD FULL CARBON, 1-1/8" TO 1-1/4" STEERER	SUPERSIX EVO, SPEED SAVE, BALLISTEC CARBON, 1-1/8" TO 1-1/4" STEERER	SUPERSIX EVO, SPEED SAVE, BALLISTEC CARBON, 1-1/8" TO 1-1/4" STEERER	SUPERSIX, FULL CARBON, 1-1/8" TO 1.5" TAPERED STEERER, ALLOY DROPOUTS
<b>RIMS</b>	MAVIC KSYRIUM SLS WTS	VISION TC24, CARBON RIM, 20/24H, TUBULAR	SHIMANO ULTEGRA 6700	MAVIC KSYRIUM EQUIPE S WTS	MAVIC AKSIUM WTS
<b>HUBS</b>	MAVIC KSYRIUM SLS	VISION 20H FRONT, 24H REAR	SHIMANO ULTEGRA 6700	MAVIC KSYRIUM EQUIPE S	MAVIC AKSIUM WTS
<b>SPOKES</b>	MAVIC KSYRIUM SLS	SAPIM	SHIMANO ULTEGRA 6700	MAVIC KSYRIUM EQUIPE S	MAVIC AKSIUM WTS
<b>TIRES</b>	MAVIC YKSION, GRIPLINK FRONT AND POWERLINK REAR, 700X23C, FOLDING	SCHWALBE ULTREMO HT TUBULAR 22MM	SCHWALBE ULTREMO TUBELESS 700X23C	MAVIC YKSION PRO 700X23C	MAVIC AKSION COMP, 700X23C, FOLDING
<b>PEDALS</b>	N/A	N/A	N/A	N/A	N/A
<b>CRANK</b>	CANNONDALE HOLLOWGRAM SISL2, W/ OPI SPIDERING, 53-39, 11-SPEED	CANNONDALE HOLLOWGRAM SISL2, FSA CHAINRINGS, 53/39	CANNONDALE HOLLOWGRAM SI, FSA CHAINRINGS, 50-34	SRAM S951 CARBON, BB30, 50/34	FSA SL-K LIGHT CARBON BB30, 50/34
<b>CRANK OPTION</b>	50/34 COMPACT SPIDERING INCLUDED	N/A	CANNONDALE HOLLOWGRAM SI, FSA CHAINRINGS, 53-39	SRAM S901 CARBON, BB30, 53/39	FSA SL-K LIGHT CARBON BB30, 53/39
<b>BOTTOM BRACKET</b>	CANNONDALE ALUMINUM PF30 BB CUP, FSA CERAMIC BB30 BEARING	CANNONDALE ALUMINUM PF30 BB CUP, FSA BB30 BEARING	SRAM PRESSFIT BB30	SRAM PRESSFIT BB30	FSA BB30
<b>CHAIN</b>	SHIMANO DURA ACE 9000	KMC X10SL, 10-SPEED	SHIMANO ULTEGRA 6700	SRAM PC-1070	SHIMANO ULTEGRA 6700
<b>REAR COGS</b>	SHIMANO DURA ACE 9000, 11-25, 11-SPEED	SRAM PG-1070, 12-26, 10-SPEED	SHIMANO ULTEGRA 6700, 12-25, 10-SPEED	SRAM PG-1070, 12-26, 10-SPEED	SHIMANO ULTEGRA 6700, 12-25, 10-SPEED
<b>FR. DERAILLEUR</b>	SHIMANO DURA ACE 9000	SRAM RED, BRAZE ON	SHIMANO ULTEGRA DI2 6770	SRAM RED, BRAZE ON	SHIMANO ULTEGRA 6700
<b>REAR DERAILLEUR</b>	SHIMANO DURA ACE 9000	SRAM RED	SHIMANO ULTEGRA DI2 6770	SRAM RED	SHIMANO ULTEGRA 6700
<b>SHIFTERS</b>	SHIMANO DURA ACE 9000	SRAM RED DOUBLETAP	SHIMANO ULTEGRA DI2 6770	SRAM RED DOUBLETAP	SHIMANO ULTEGRA 6700
<b>HANDLEBAR</b>	FSA K-FORCE CARBON COMPACT	CANNONDALE C2 CLASSIC, SHALLOW DROP	CANNONDALE C1 COMPACT	CANNONDALE C2 COMPACT	CANNONDALE C2 COMPACT
<b>GRIPS</b>	FI'ZI:K BAR TAPE	CANNONDALE BAR TAPE W/ GEL, 2.5MM	CANNONDALE BAR TAPE W/ GEL, 2.5MM	CANNONDALE BAR TAPE W/ GEL, 2.5MM	CANNONDALE BAR TAPE W/ GEL, 2.5MM
<b>STEM</b>	FSA OS-99 CSI	CANNONDALE C1 31.8MM 6 DEG.	CANNONDALE C1 31.8MM 6 DEG.	CANNONDALE C1 31.8MM 6 DEG.	CANNONDALE C2, 31.8, 6 DEG.
<b>HEADSET</b>	SUPERSIX EVO, 1-1/4" LOWER BEARING, 25MM CARBON TOP COVER (W/ 5MM ALLOY HIDDEN TOP COVER)	SUPERSIX EVO, 1-1/4" LOWER BEARING, 25MM CARBON TOP COVER (W/ 5MM ALLOY HIDDEN TOP COVER)	SUPERSIX EVO, 1-1/4" LOWER BEARING, 25MM CARBON TOP COVER (W/ 5MM ALLOY HIDDEN TOP COVER)	SUPERSIX EVO, 1-1/4" LOWER BEARING, 25MM CARBON TOP COVER (W/ 5MM ALLOY HIDDEN TOP COVER)	SUPERSIX, 1.5 LOWER BEARING, 30MM CARBON TOP CAP, W/ 5MM HIDDEN ALLOY TOP COVER
<b>BRAKES</b>	SHIMANO DURA ACE 9000	SRAM RED	SHIMANO ULTEGRA 6700	SRAM RED	SHIMANO ULTEGRA 6700
<b>BRAKE LEVERS</b>	SHIMANO DURA ACE 9000	SRAM RED	SHIMANO ULTEGRA DI2	SRAM RED	SHIMANO ULTEGRA 6700
<b>SADDLE</b>	FI'ZI:K ANTARES, KJUM RAILS	PROLOGO NAGO EVO T1.4 RAIL	FI'ZI:K ANTARES, MANGANESE RAIL	FI'ZI:K ANTARES, MANGANESE RAIL	FI'ZI:K ARIONE, MANGANESE RAIL
<b>SEATPOST</b>	FSA K-FORCE CARBON, 27.2X350MM	CANNONDALE C1, LIGHTWEIGHT ALLOY 27.2X250MM	CANNONDALE C1, LIGHTWEIGHT ALLOY 27.2X250MM	CANNONDALE C1, LIGHTWEIGHT ALLOY 27.2X250MM	CANNONDALE C2, UD CARBON, 31.6X300MM
<b>SIZES</b>	48, 50, 52, 54, 56, 58, 60, 63CM	48, 50, 52, 54, 56, 58, 60, 63CM	48, 50, 52, 54, 56, 58, 60, 63CM	48, 50, 52, 54, 56, 58, 60, 63CM	48, 50, 52, 54, 56, 58, 60, 63CM
<b>COLOR 1 (CODE)</b>	EXPOSED CARBON W/ MAGNESIUM WHITE AND I LOVE GOLD ACCENTS, GLOSS (WHT)	MARINER BLUE W/ RACE RED AND 40 BLUE ACCENTS, GLOSS (BLU)	MAGNESIUM WHITE W/ JET BLACK AND ULTRA BLUE ACCENTS, GLOSS (WHT)	MAGNESIUM WHITE, W/ BERSERKER GREEN AND NU TEAM BLUE ACCENTS, GLOSS (REP)	MAGNESIUM WHITE W/ STEALTH GREY AND BERSERKER GREEN ACCENTS, GLOSS (WHT)
<b>COLOR 2 (CODE)</b>	N/A	EXPOSED CARBON, GLOSS (BLK)	EXPOSED CARBON, GLOSS (BLK)	EXPOSED CARBON W/ CHARCOAL GREY AND RACE RED ACCENTS, MATTE (CRB)	JET BLACK W/ CHARCOAL GREY AND FINE SILVER ACCENTS, MATTE (BBQ)

	SUPERSIX 4 RIVAL	SUPERSIX 5 105	SUPERSIX 6 TIAGRA	CAAD10, BLACK EDITION	CAAD10 2 FORCE, RACING EDITION
<b>CODE</b>	C13RSS4C, C13RSS4D	C13RSS5C, C13RSS5D	C13RSS6C	C13RAXIC, C13RAXID	C13RAX2C, C13RAX2D
<b>FRAME</b>	SUPERSIX, FULL CARBON, BB30	SUPERSIX, FULL CARBON, BB30	SUPERSIX, FULL CARBON, BB30	CAAD10, DI2 SPECIFIC, SMARTFORMED 6069 ALLOY, SPEED SAVE, BB30	CAAD10, SMARTFORMED 6069 ALLOY, SPEED SAVE, BB30
<b>FORK</b>	SUPERSIX, FULL CARBON, 1-1/8" TO 1.5" TAPERED STEERER, ALLOY DROPOUTS	SUPERSIX, FULL CARBON, 1-1/8" TO 1.5" TAPERED STEERER, ALLOY DROPOUTS	SUPERSIX, FULL CARBON, 1-1/8" TO 1.5" TAPERED STEERER, ALLOY DROPOUTS	CAAD10, SPEED SAVE FULL CARBON, 1-1/8" TO 1-1/4" TAPERED STEERER	CAAD10, SPEED SAVE FULL CARBON, 1-1/8" TO 1-1/4" TAPERED STEERER
<b>RIMS</b>	FULCRUM RACING 7	SHIMANO RS-10	SHIMANO RS01	SHIMANO ULTEGRA 6700	FSA ENERGY 20H FRONT, 24H REAR
<b>HUBS</b>	FULCRUM RACING 7	SHIMANO RS-10	SHIMANO RS01	SHIMANO ULTEGRA 6700	FSA ENERGY 20H FRONT, 24H REAR
<b>SPOKES</b>	FULCRUM RACING 7	SHIMANO RS-10	SHIMANO RS01	SHIMANO ULTEGRA 6700	FSA ENERGY 20H FRONT, 24H REAR
<b>TIRES</b>	SCHWALBE LUGANO, 700X23C, FOLDING	SCHWALBE LUGANO, 700X23C, FOLDING	SCHWALBE LUGANO, 700X23C	SCHWALBE DURANO S, 700X23C, FOLDING	SCHWALBE DURANO S, 700X23C, FOLDING
<b>PEDALS</b>	N/A	N/A	N/A	N/A	N/A
<b>CRANK</b>	FSA ENERGY BB30, 50/34	FSA GOSSAMER PRO, BB30, 50/34	FSA OMEGA BB30, 50/34	FSA SL-K LIGHT CARBON BB30, 50/34	SRAM S950 CARBON, BB30, 50/34
<b>CRANK OPTION</b>	FSA ENERGY BB30, 53/39	FSA GOSSAMER PRO, BB30, 53/39	N/A	FSA SL-K LIGHT CARBON BB30, 53/39	SRAM S900 CARBON, BB30, 53/39
<b>BOTTOM BRACKET</b>	FSA BB30	FSA BB30	FSA BB30	FSA BB30	SRAM BB30
<b>CHAIN</b>	KMC X10, 10-SPEED	SHIMANO 105 5700	KMC X10, 10-SPEED	SHIMANO ULTEGRA 6700	KMC X10SL, 10-SPEED
<b>REAR COGS</b>	SRAM PG-1050, 11-26, 10-SPEED	SHIMANO 105 5700, 12-27, 10-SPEED	SHIMANO TIAGRA 4600, 12-28, 10-SPEED	SHIMANO ULTEGRA 6700, 12-25, 10-SPEED	SRAM PG-1070, 12-26, 10-SPEED
<b>FR. DERAILLEUR</b>	SRAM RIVAL	SHIMANO 105 5700	SHIMANO TIAGRA 4600	SHIMANO ULTEGRA DI2	SRAM FORCE
<b>REAR DERAILLEUR</b>	SRAM RIVAL	SHIMANO 105 5700	SHIMANO TIAGRA 4600	SHIMANO ULTEGRA DI2	SRAM FORCE
<b>SHIFTERS</b>	SRAM RIVAL DOUBLETAP	SHIMANO 105 5700	SHIMANO TIAGRA 4600	SHIMANO ULTEGRA DI2	SRAM FORCE DOUBLETAP
<b>HANDLEBAR</b>	CANNONDALE C2 COMPACT	CANNONDALE C3 COMPACT	CANNONDALE C3 COMPACT	CANNONDALE C1 COMPACT	CANNONDALE C2 CLASSIC, SHALLOW DROP
<b>GRIPS</b>	CANNONDALE BAR TAPE W/ GEL 2.5MM	CANNONDALE BAR TAPE W/ GEL 2.5MM	CANNONDALE BAR TAPE W/ GEL 2.5MM	CANNONDALE BAR TAPE W/ GEL 2.5MM	CANNONDALE BAR TAPE W/ GEL 2.5MM
<b>STEM</b>	CANNONDALE C2, 31.8, 6 DEG.	CANNONDALE C3, 31.8MM, 6 DEG.	CANNONDALE C3, 31.8MM, 6 DEG.	CANNONDALE C1 31.8MM 6 DEG.	CANNONDALE C1 31.8MM 6 DEG.
<b>HEADSET</b>	SUPERSIX, 1.5 LOWER BEARING, 30MM TOP CAP, W/ 5MM HIDDEN ALLOY TOP COVER	SUPERSIX, 1.5 LOWER BEARING, 30MM TOP CAP, W/ 5MM HIDDEN ALLOY TOP COVER	SUPERSIX, 1.5 LOWER BEARING, 30MM TOP CAP, W/ 5MM HIDDEN ALLOY TOP COVER	CAAD10, 1-1/4" LOWER BEARING, 25MM CARBON TOP CAP	CAAD10, 1-1/4" LOWER BEARING, 25MM TOP CAP
<b>BRAKES</b>	SRAM DUAL PIVOT	TEKTRO R580	SHIMANO TIAGRA 4600	SHIMANO ULTEGRA 6700	SRAM FORCE
<b>BRAKE LEVERS</b>	SHIMANO ULTEGRA 6700	SHIMANO 105 5700	SHIMANO TIAGRA 4600	SHIMANO ULTEGRA DI2	SRAM FORCE
<b>SADDLE</b>	PROLOGO SCRATCH PRO T2.0	PROLOGO SCRATCH PRO T2.0	CANNONDALE STAGE ERGO W/ CRMO RAILS	FI'ZI:K ARIONE, MANGANESE RAIL	PROLOGO NAGO EVO T2.0 RAIL
<b>SEATPOST</b>	CANNONDALE C2, UD CARBON, 31.6X300MM	CANNONDALE C3 CARBON WRAP, 31.6MMX300MM	CANNONDALE C3 ALLOY, 31.6MMX300MM	CANNONDALE C1, LIGHTWEIGHT ALLOY 27.2X250MM	CANNONDALE C1, LIGHTWEIGHT ALLOY 27.2X250MM
<b>SIZES</b>	48, 50, 52, 54, 56, 58, 60, 63CM	48, 50, 52, 54, 56, 58, 60, 63CM	48, 50, 52, 54, 56, 58, 60, 63CM	48, 50, 52, 54, 56, 58, 60, 63CM	48, 50, 52, 54, 56, 58, 60, 63CM
<b>COLOR 1 (CODE)</b>	NIAGRA BLUE W/ FINE SILVER AND MAGNESIUM WHITE ACCENTS, GLOSS (BLU)	MAGNESIUM WHITE, W/ BERSERKER GREEN AND NU TEAM BLUE ACCENTS, GLOSS (REP)	EXPOSED CARBON W/ CHARCOAL GREY AND RACE RED ACCENTS, MATTE (CRB)	BLACK ANODIZED, I LOVE GOLD ACCENTS, MATTE (BLA)	MAGNESIUM WHITE W/ JET BLACK AND BERSERKER GREEN ACCENTS, GLOSS (GRN)
<b>COLOR 2 (CODE)</b>	EXPOSED CARBON W/ CHARCOAL GREY AND RACE RED ACCENTS, MATTE (CRB)	JET BLACK W/ CHARCOAL GREY AND FINE SILVER ACCENTS, MATTE (BBQ)	N/A	N/A	BRUSHED ALUMINUM W/ JET BLACK AND MAGNESIUM WHITE ACCENTS, GLOSS (RAW)

	CAAD10 3 ULTEGRA	CAAD10 4 RIVAL	CAAD10 5 105	CAAD8 5 105	CAAD8 6 TIAGRA
<b>CODE</b>	C13RAX3C, C13RAX3D	C13RAX4C, C13RAX4D	C13RAX5C, 3RAX5D	C13RA85C	C13RA86C
<b>FRAME</b>	CAAD10, SMARTFORMED 6069 ALLOY, SPEED SAVE, BB30	CAAD10, SMARTFORMED 6069 ALLOY, SPEED SAVE, BB30	CAAD10, SMARTFORMED 6069 ALLOY, SPEED SAVE, BB30	CAAD8, OPTIMIZED 6061 ALLOY, SAVE, BB30	CAAD8, OPTIMIZED 6061 ALLOY, SAVE, BB30
<b>FORK</b>	CAAD10, SPEED SAVE FULL CARBON, 1-1/8" TO 1-1/4" TAPERED STEERER	CAAD10, SPEED SAVE FULL CARBON, 1-1/8" TO 1-1/4" TAPERED STEERER	CAAD10, SPEED SAVE FULL CARBON, 1-1/8" TO 1-1/4" TAPERED STEERER	CANNONDALE ULTRA, CARBON BLADES, 1-1/8"	CANNONDALE ULTRA, CARBON BLADES, 1-1/8"
<b>RIMS</b>	MAVIC AKSIUM WTS	FULCRUM RACING 7	SHIMANO RS-10	MADDEX RS 3.0 SPEED, 32 HOLE	MADDEX RS 3.0, 32 HOLE
<b>HUBS</b>	MAVIC AKSIUM WTS	FULCRUM RACING 7	SHIMANO RS-10	FORMULA, RB-51 FRONT, RB-52 REAR	CANNONDALE C4
<b>SPOKES</b>	MAVIC AKSIUM WTS	FULCRUM RACING 7	SHIMANO RS-10	STAINLESS STEEL, 15G	STAINLESS STEEL, 15G
<b>TIRES</b>	MAVIC AKSION, 700X23C, FOLDING	SCHWALBE LUGANO, 700X23C, FOLDING	SCHWALBE LUGANO, 700X23C, FOLDING	SCHWALBE LUGANO, 700X23C	SCHWALBE LUGANO, 700X23C
<b>PEDALS</b>	N/A	N/A	N/A	WELLGO	WELLGO
<b>CRANK</b>	FSA SL-K LIGHT CARBON BB30, 53/39	FSA ENERGY BB30, 53/39	FSA ENERGY BB30, 50/34	FSA GOSSAMER PRO, BB30, 50/34	FSA OMEGA BB30, 50/34
<b>CRANK OPTION</b>	FSA SL-K LIGHT CARBON BB30, 50/34	FSA ENERGY BB30, 50/34	FSA BB30	FSA GOSSAMER PRO, BB30, 53/39	N/A
<b>BOTTOM BRACKET</b>	FSA BB30	FSA BB30	FSA BB30	FSA BB30	FSA BB30
<b>CHAIN</b>	SHIMANO ULTEGRA 6700	KMC X10, 10-SPEED	SHIMANO 105 5700	KMC X10, 10-SPEED	KMC X10, 10-SPEED
<b>REAR COGS</b>	SHIMANO ULTEGRA 6700, 12-25, 10-SPEED	SRAM PG-1050, 11-26, 10-SPEED	SHIMANO 105 5700, 12-27, 10-SPEED	SHIMANO TIAGRA 4600, 12-28, 10-SPEED	SHIMANO TIAGRA 4600, 12-28, 10-SPEED
<b>FR. DERAILLEUR</b>	SHIMANO ULTEGRA 6700	SRAM RIVAL	SHIMANO 105 5700	SHIMANO 105 5700, 31.8MM CLAMP	SHIMANO TIAGRA 4600, 31.8MM CLAMP
<b>REAR DERAILLEUR</b>	SHIMANO ULTEGRA 6700	SRAM RIVAL	SHIMANO 105 5700	SHIMANO 105 5700	SHIMANO TIAGRA 4600
<b>SHIFTERS</b>	SHIMANO ULTEGRA 6700	SRAM RIVAL DOUBLETAP	SHIMANO 105 5700	SHIMANO 105 5700	SHIMANO TIAGRA 4600
<b>HANDLEBAR</b>	CANNONDALE C3 COMPACT	CANNONDALE C3 COMPACT	CANNONDALE C3 COMPACT	CANNONDALE C3 COMPACT	CANNONDALE C4 COMPACT
<b>GRIPS</b>	CANNONDALE BAR TAPE W/ GEL 2.5MM	CANNONDALE BAR TAPE W/ GEL 2.5MM	CANNONDALE BAR TAPE W/ GEL 2.5MM	CANNONDALE 2.5MM SUEDE W/ GEL BACKING BAR TAPE	CANNONDALE 2.5MM SUEDE W/ GEL BACKING BAR TAPE
<b>STEM</b>	CAAD10, 1-1/4" LOWER BEARING, 25MM TOP CAP	CAAD10, 1-1/4" LOWER BEARING, 25MM TOP CAP	CAAD10, 1-1/4" LOWER BEARING, 25MM TOP CAP	CANNONDALE C3, 31.8MM, 6 DEG.	CANNONDALE C4, 31.8MM, 6 DEG.
<b>HEADSET</b>	CAAD10, 1-1/4" LOWER BEARING, 25MM TOP CAP	CAAD10, 1-1/4" LOWER BEARING, 25MM TOP CAP	CAAD10, 1-1/4" LOWER BEARING, 25MM TOP CAP	TANGE SEIKI INTEGRATED, 25MM TOP CAP	TANGE SEIKI INTEGRATED, 25MM TOP CAP
<b>BRAKES</b>	SHIMANO ULTEGRA 6700	SRAM DUAL PIVOT	TEKTRO R580	TEKTRO R540, DUAL PIVOT, CARTRIDGE PAD	CANNONDALE C4, DUAL PIVOT, CARTRIDGE PAD
<b>BRAKE LEVERS</b>	SHIMANO ULTEGRA 6700	SRAM RIVAL	SHIMANO 105 5700	SHIMANO 105 5700	SHIMANO TIAGRA 4600
<b>SADDLE</b>	PROLOGO SCRATCH PRO T2.0	PROLOGO, KAPPA EVO	PROLOGO, KAPPA EVO	CANNONDALE STAGE ERGO W/ CRMO RAILS	CANNONDALE STAGE ERGO W/ STEEL RAILS
<b>SEATPOST</b>	CANNONDALE C2, UD CARBON, 27.2X300MM	CANNONDALE C3, ALLOY, 27.2X300MM	CANNONDALE C3, ALLOY, 27.2X300MM	CANNONDALE C3, 27.2X300MM	CANNONDALE C4 ALLOY, 27.2MMX300MM
<b>SIZES</b>	48, 50, 52, 54, 56, 58, 60, 63CM	48, 50, 52, 54, 56, 58, 60, 63CM	48, 50, 52, 54, 56, 58, 60, 63CM	48, 50, 52, 54, 56, 58, 60, 63CM	48, 51, 54, 56, 58, 61CM
<b>COLOR 1 (CODE)</b>	JET BLACK W/ MAGNESIUM WHITE AND CHARCOAL GREY ACCENTS, MATTE (BBQ)	MAGNESIUM WHITE W/ JET BLACK AND CHARCOAL GREY ACCENTS, GLOSS (RAW)	MAGNESIUM WHITE, W/ BERSERKER GREEN AND NU TEAM BLUE ACCENTS, GLOSS (REP)	BRUSHED ALUMINUM W/ JET BLACK AND MAGNESIUM WHITE ACCENTS, GLOSS (RAW)	MAGNESIUM WHITE, GLOSS (REP)
<b>COLOR 2 (CODE)</b>	JET BLACK W/ CHARCOAL GREY AND MAGNESIUM WHITE ACCENTS, GLOSS (RAW)	MAGNESIUM WHITE ACCENTS, GLOSS (RAW)	MAGNESIUM WHITE, GLOSS (WHT)	JET BLACK, GLOSS (BLK)	JET BLACK, GLOSS (BLK)

	CAAD8 7 SORA	CAAD8 8 2300	SYNAPSE HI-MOD, BLACK EDITION	SYNAPSE HI-MOD RED	SYNAPSE HI-MOD 3 ULTEGRA
<b>CODE</b>	C13RA87C	C13RA88C	C13RCL1C	C13RCL2C	C13RCL3C
<b>FRAME</b>	CAAD8, OPTIMIZED 6061 ALLOY, SAVE	CAAD8, OPTIMIZED 6061 ALLOY, SAVE	SYNAPSE HI-MOD FULL CARBON, SAVE PLUS, BB30	SYNAPSE HI-MOD FULL CARBON, SAVE PLUS, BB30	SYNAPSE HI-MOD FULL CARBON, SAVE PLUS, BB30
<b>FORK</b>	CANNONDALE ULTRA, CARBON BLADES, 1-1/8"	CANNONDALE ULTRA, CARBON BLADES, 1-1/8"	SYNAPSE, HI-MOD FULL CARBON, SAVE PLUS, 1-1/8" STEERER	SYNAPSE, HI-MOD FULL CARBON, SAVE PLUS, 1-1/8" STEERER	SYNAPSE, HI-MOD FULL CARBON, SAVE PLUS, 1-1/8" STEERER
<b>RIMS</b>	MADDEX RS 3.0, 32 HOLE	MADDEX RS 3.0, 32 HOLE	MAVIC KSYRIUM SLS	MAVIC KSYRIUM ELITE S WTS	MAVIC KSYRIUM EQUIPE S WTS
<b>HUBS</b>	CANNONDALE C4	CANNONDALE C4	MAVIC KSYRIUM SLS	MAVIC KSYRIUM ELITE S WTS	MAVIC KSYRIUM EQUIPE S
<b>SPOKES</b>	STAINLESS STEEL, 15G	STAINLESS STEEL, 15G	MAVIC KSYRIUM SLS	MAVIC KSYRIUM ELITE S WTS	MAVIC KSYRIUM EQUIPE S
<b>TIRES</b>	SCHWALBE LUGANO, 700X23C	SCHWALBE LUGANO, 700X23C	MAVIC KSYRIUM SLS	MAVIC KSYRIUM ELITE S WTS	MAVIC KSYRIUM EQUIPE S
<b>PEDALS</b>	WELLGO	WELLGO	N/A	N/A	N/A
<b>CRANK</b>	FSA VERO, 50/34	SHIMANO 2300 50/34	CANNONDALE HOLLOWGRAM SISL2, W/ OPI SPIDERING, 11-SPEED, 50-34	SRAM S951 CARBON, BB30, 50/34	FSA SL-K LIGHT CARBON BB30, 50/34
<b>BOTTOM BRACKET</b>	FSA	TANGE CARTRIDGE	FSA BB30	SRAM BB30	FSA BB30
<b>CHAIN</b>	KMC 8-SPEED	KMC 8-SPEED	SHIMANO DURA ACE 9000	SRAM PC-1070	SHIMANO ULTEGRA 6700
<b>REAR COGS</b>	SRAM PG-950, 12-26, 9-SPEED	SUNRACE 12-25, 8-SPEED	SHIMANO DURA ACE 9000, 11-28, 11-SPEED	SRAM PG-1070, 11-28, 10-SPEED	SHIMANO ULTEGRA 6700, 11-28, 10-SPEED
<b>FR. DERAILLEUR</b>	SHIMANO SORA, 31.8MM CLAMP	SHIMANO 2300, 31.8MM CLAMP	SHIMANO DURA ACE 9000	SRAM RED, BRAZE ON	SHIMANO ULTEGRA 6700
<b>REAR DERAILLEUR</b>	SHIMANO SORA	SHIMANO 2300	SHIMANO DURA ACE 9000	SRAM RED	SHIMANO ULTEGRA 6700
<b>SHIFTERS</b>	SHIMANO SORA	SHIMANO 2300	SHIMANO DURA ACE 9000	SRAM RED DOUBLETAP	SHIMANO ULTEGRA 6700
<b>HANDLEBAR</b>	CANNONDALE C4 COMPACT	CANNONDALE C4 COMPACT	FSA SL-K COMPACT,	FSA PRO-WING COMPACT	CANNONDALE C1 COMPACT
<b>GRIPS</b>	CANNONDALE SUEDE BAR TAPE W/ GEL, 2.5MM	CANNONDALE SUEDE BAR TAPE W/ GEL,			



	SYNAPSE CARBON 3 ULTEGRA	SYNAPSE CARBON 4 RIVAL	SYNAPSE CARBON 5 105	SYNAPSE CARBON 6 TIAGRA	SYNAPSE 5 105
<b>CODE</b>	C13RCS3C	C13RCS4C	C13RCS5C	C13RCS6C	C13RAS5C, C13RAS7
<b>FRAME</b>	SYNAPSE, FULL CARBON, SAVE PLUS, BB30	SYNAPSE, FULL CARBON, SAVE PLUS, BB30	SYNAPSE, FULL CARBON, SAVE PLUS, BB30	SYNAPSE, FULL CARBON, SAVE PLUS, BB30	SYNAPSE ALLOY, OPTIMIZED 6061 ALLOY, SAVE PLUS, BB30
<b>FORK</b>	SYNAPSE, FULL CARBON, SAVE PLUS, 1-1/8"	SYNAPSE, FULL CARBON, SAVE PLUS, 1-1/8"	SYNAPSE, FULL CARBON, SAVE PLUS, 1-1/8"	SYNAPSE, CARBON BLADES, SAVE, 1-1/8"	SYNAPSE SAVE, CARBON BLADES, 1-1/8"
<b>RIMS</b>	MAVIC AKSIUM WTS	FULCRUM RACING 7	SHIMANO RS-10	SHIMANO R501	SHIMANO RS10
<b>HUBS</b>	MAVIC AKSIUM WTS	FULCRUM RACING 7	SHIMANO RS-10	SHIMANO R501	SHIMANO RS10
<b>SPOKES</b>	MAVIC AKSIUM WTS	FULCRUM RACING 7	SHIMANO RS-10	SHIMANO R501	SHIMANO RS10
<b>TIRES</b>	MAVIC AKSION, 700X25C, FOLDING	SCHWALBE LUGANO, 700X25C, FOLDING	SCHWALBE LUGANO, 700X25C, FOLDING	SCHWALBE LUGANO, 700X25C	SCHWALBE LUGANO, 700X25C
<b>PEDALS</b>	N/A	N/A	N/A	N/A	WELLGO PLATFORM
<b>CRANK</b>	FSA SL-K LIGHT CARBON BB30, 50/34	FSA ENERGY BB30, 50/34	FSA GOSSAMER PRO, BB30, 50/34	FSA OMEGA, BB30, 50/34	FSA GOSSAMER, BB30, 50/34
<b>CRANK OPTION</b>	N/A	N/A	N/A	N/A	FSA GOSSAMER, BB30, 50/39/30
<b>BOTTOM BRACKET</b>	FSA BB30	FSA BB30	FSA BB30	FSA BB30	FSA BB30
<b>CHAIN</b>	SHIMANO ULTEGRA 6700	KMC X10, 10-SPEED	SHIMANO 105 5700	SHIMANO TIAGRA 4600, 10-SPEED	KMC X10, 10-SPEED
<b>REAR COGS</b>	SHIMANO ULTEGRA 6700, 11-28, 10-SPEED	SRAM PG-1050, 11-32, 10-SPEED	SHIMANO 105 5700, 11-28, 10-SPEED	SHIMANO TIAGRA 4600, 12-30, 10-SPEED	SHIMANO TIAGRA 4600, 12-28, 10-SPEED
<b>FR. DERAILLEUR</b>	SHIMANO ULTEGRA 6700	SRAM RIVAL	SHIMANO 105 5700	SHIMANO TIAGRA 4600	SHIMANO 105 5700, 34.9MM CLAMP
<b>REAR DERAILLEUR</b>	SHIMANO ULTEGRA 6700	SRAM RIVAL	SHIMANO 105 5700	SHIMANO TIAGRA 4600	SHIMANO 105 5700
<b>SHIFTERS</b>	SHIMANO ULTEGRA 6700	SRAM RIVAL DOUBLETAP	SHIMANO 105 5700	SHIMANO TIAGRA 4600	SHIMANO 105 5700
<b>HANDLEBAR</b>	CANNONDALE C2 COMPACT	CANNONDALE C2 COMPACT	CANNONDALE C3 COMPACT	CANNONDALE C3 COMPACT	CANNONDALE C3 COMPACT
<b>GRIPS</b>	CANNONDALE BAR TAPE W/ GEL, 3.5MM	CANNONDALE BAR TAPE W/ GEL, 3.5MM	CANNONDALE BAR TAPE W/ GEL, 3.5MM	CANNONDALE BAR TAPE W/ GEL, 3.5MM	CANNONDALE SUEDE BAR TAPE W/ GEL 3.5MM
<b>STEM</b>	CANNONDALE C2, 31.8, 6 DEG.	CANNONDALE C2, 31.8, 6 DEG.	CANNONDALE C3, 31.8MM, 6 DEG.	CANNONDALE C3, 31.8MM, 6 DEG.	CANNONDALE C3, 31.8, 6 DEG.
<b>HEADSET</b>	SYNAPSE SI, 25MM TOP CAP	SYNAPSE SI, 25MM TOP CAP	SYNAPSE SI, 25MM TOP CAP	SYNAPSE SI, 25MM TOP CAP	SYNAPSE SI, 25MM TOP CAP
<b>BRAKES</b>	SHIMANO ULTEGRA 6700	SRAM DUAL PIVOT	TEKTRO R580	SHIMANO TIAGRA 4600	TEKTRO R539, DUAL PIVOT, CARTRIDGE PAD, LONG REACH
<b>BRAKE LEVERS</b>	SHIMANO ULTEGRA 6700	SRAM RIVAL	SHIMANO 105 5700	SHIMANO TIAGRA 4600	SHIMANO 105 5700
<b>SADDLE</b>	FI'ZI:K ALIANTE DELTA, MG RAILS	PROLOGO, KAPPA EVO	PROLOGO, KAPPA EVO	CANNONDALE STAGE ERGO W/ CRMO RAILS	CANNONDALE STAGE ERGO W/ CRMO RAILS
<b>SEATPOST</b>	CANNONDALE C2, UD CARBON, 27.2X300MM	CANNONDALE C2, UD CARBON, 27.2X300MM	CANNONDALE C3 ALLOY, 27.2MMX300MM	CANNONDALE C3 ALLOY, 27.2MMX300MM	CANNONDALE C3, CARBON WRAPPED, 27.2X300MM
<b>SIZES</b>	48, 51, 54, 56, 58, 61CM	48, 51, 54, 56, 58, 61CM	48, 51, 54, 56, 58, 61CM	48, 51, 54, 56, 58, 61CM	48, 51, 54, 56, 58, 61CM
<b>COLOR 1 (CODE)</b>	EXPOSED CARBON W/ 40 BLUE AND RACE RED ACCENTS, GLOSS (BLU)	JET BLACK W/ BERSERKER GREEN AND MAGNESIUM WHITE ACCENTS, GLOSS (GRN)	EXPOSED CARBON W/ 40 BLUE AND RACE RED ACCENTS, GLOSS (BLU)	JET BLACK W/ BERSERKER GREEN AND MAGNESIUM WHITE ACCENTS, GLOSS (GRN)	BRUSHED ALUMINUM, GLOSS (RAW)
<b>COLOR 2 (CODE)</b>	MAGNESIUM WHITE W/ JET BLACK AND RACE RED ACCENTS, GLOSS (WHT)	EXPOSED CARBON W/ CHARCOAL GREY AND RACE RED ACCENTS, MATTE (CRB)	JET BLACK W/ MAGNESIUM WHITE AND CHARCOAL GREY ACCENTS, MATTE (BBQ)	N/A	MAGNESIUM WHITE, GLOSS (WHT)

	SYNAPSE 6 TIAGRA	SYNAPSE 7 SORA	SYNAPSE 8 2300	SLICE RS, BLACK EDITION	SLICE RS ULTEGRA Di2
<b>CODE</b>	C13RAS6C, C13RAS6T	C13RAS7T	C13RAS8T	C13RMS0D	C13RMSID
<b>FRAME</b>	SYNAPSE ALLOY, OPTIMIZED 6061 ALLOY, SAVE PLUS, BB30	SYNAPSE ALLOY, OPTIMIZED 6061 ALLOY, SAVE PLUS	SYNAPSE ALLOY, 6061 ALLOY, SAVE PLUS	SLICE RS, FULL CARBON, AERO SAVE, PF30, NAERO-TEC	SLICE RS, FULL CARBON, AERO SAVE, PF30, NAERO-TEC
<b>FORK</b>	SYNAPSE SAVE, CARBON BLADES, 1-1/8"	SYNAPSE SAVE, CARBON BLADES, 1-1/8"	SYNAPSE SAVE, CARBON BLADES, 1-1/8"	SLICE RS AERO, CARBON W/ INTEGRATED EXTERNAL STEERER, NAERO-TEC	SLICE RS AERO, CARBON W/ INTEGRATED EXTERNAL STEERER, NAERO-TEC
<b>RIMS</b>	MADDUX RS 3.0, 32 HOLE	MADDUX RS 3.0, 32 HOLE	MADDUX RS 3.0, 32 HOLE	ZIPP 808 FIRECREST TUBULAR	VISION TRIMAX T42
<b>HUBS</b>	CANNONDALE C4	CANNONDALE C4	CANNONDALE C4	ZIPP 808 FIRECREST TUBULAR	VISION TRIMAX T42
<b>SPOKES</b>	STAINLESS STEEL, 15G	STAINLESS STEEL, 15G	STAINLESS STEEL, 15G	ZIPP 808 FIRECREST TUBULAR	VISION TRIMAX T42
<b>TIRES</b>	SCHWALBE LUGANO, 700X25C	SCHWALBE LUGANO, 700X25C	KENDA KONTENDER 700X26C	SCHWALBE ULTREMO HT TUBULAR 700X22C	SCHWALBE ULTREMO ZX 700X23C
<b>PEDALS</b>	WELLGO PLATFORM	WELLGO PLATFORM	WELLGO PLATFORM	N/A	N/A
<b>CRANK</b>	FSA OMEGA, BB30, 50/34	FSA VERO, 50/39/30	FSA VERO, 50/39/30	CANNONDALE HOLLOWGRAM SISL2, AERO SPIDER, 54/42	FSA TRIMAX CARBON RINGS, BB30, 53/39
<b>CRANK OPTION</b>	FSA OMEGA, BB30, 50/39/30	N/A	N/A	N/A	N/A
<b>BOTTOM BRACKET</b>	FSA BB30	FSA	FSA	CANNONDALE ALUMINUM PF30 BB CUP, FSA CERAMIC BB30 BEARING	CANNONDALE ALUMINUM PF30 BB CUP, FSA BB30 BEARING
<b>CHAIN</b>	KMC X10, 10-SPEED	KMC 9-SPEED	KMC 8-SPEED	SRAM PC-1091R, 10-SPEED	SHIMANO ULTEGRA 6700
<b>REAR COGS</b>	SHIMANO TIAGRA 4600, 12-28, 10-SPEED	SRAM PG-950, 12-26, 9-SPEED	SUNRACE 12-25, 8-SPEED	SRAM RED, 11-26, 10-SPEED	SHIMANO ULTEGRA 6700
<b>FR. DERAILLEUR</b>	SHIMANO TIAGRA 4600, 34.9MM CLAMP	SHIMANO SORA, 34.9MM CLAMP	SHIMANO 2300, 31.8MM CLAMP	SRAM RED	SHIMANO ULTEGRA DI2
<b>REAR DERAILLEUR</b>	SHIMANO TIAGRA 4600	SHIMANO SORA	SHIMANO 2300	SRAM RED	SHIMANO ULTEGRA DI2
<b>SHIFTERS</b>	SHIMANO TIAGRA 4600	SHIMANO SORA	SHIMANO 2300	SRAM RED	SHIMANO ULTEGRA DI2
<b>HANDLEBAR</b>	CANNONDALE C4 COMPACT	CANNONDALE C4 COMPACT	CANNONDALE C4 COMPACT	VISION CARBON 31.8MM, VECTOR CARBON EXTENSIONS	VISION 31.8MM, VECTOR CARBON EXTENSIONS
<b>GRIPS</b>	CANNONDALE SUEDE BAR TAPE W/ GEL 3.5MM	CANNONDALE SUEDE BAR TAPE W/ GEL 3.5MM	CANNONDALE SUEDE BAR TAPE W/ GEL 3.5MM	FI'ZI:K BAR TAPE	FI'ZI:K BAR TAPE
<b>STEM</b>	CANNONDALE C4, 31.8, 6 DEG.	CANNONDALE C4, 31.8, 6 DEG.	CANNONDALE C4, 31.8MM 7 DEG	INTEGRATED, ADJUSTABLE 31.8MM	INTEGRATED, ADJUSTABLE 31.8MM
<b>HEADSET</b>	SYNAPSE SI, 25MM TOP CAP	SYNAPSE SI, 25MM TOP CAP	SYNAPSE SI, 25MM TOP CAP	TANGE SEIKI INTEGRATED	TANGE SEIKI INTEGRATED
<b>BRAKES</b>	CANNONDALE C4, DUAL PIVOT, CARTRIDGE PAD, LONG REACH	CANNONDALE C4, DUAL PIVOT, CARTRIDGE PAD, LONG REACH	PROMAX DUAL PIVOT, LONG REACH	CANNONDALE NAERO-TEC INTEGRATED MINI-V, CARBON ARMS	CANNONDALE NAERO-TEC INTEGRATED MINI-V
<b>BRAKE LEVERS</b>	SHIMANO TIAGRA 4600	SHIMANO SORA	SHIMANO 2300	SRAM BL990 CARBON	TRP RL970 CARBON
<b>SADDLE</b>	CANNONDALE STAGE ERGO W/ STEEL RAILS	CANNONDALE STAGE ERGO W/ STEEL RAILS	CANNONDALE STAGE ERGO W/ STEEL RAILS	FI'ZI:K ARIONE 00 TRI2 CARBON	FI'ZI:K ARIONE TRI2, W/ MG RAILS
<b>SEATPOST</b>	CANNONDALE C4, ALLOY, 27.2X300MM	CANNONDALE C4, ALLOY, 27.2X300MM	CANNONDALE C4, ALLOY, 27.2X300MM	CANNONDALE SLICE RS CARBON NAERO -TEC	CANNONDALE SLICE RS CARBON NAERO -TEC
<b>SIZES</b>	48, 51, 54, 56, 58, 61CM	48, 51, 54, 56, 58, 61CM	48, 51, 54, 56, 58, 61CM	50, 52, 54, 56, 58CM	50, 52, 54, 56, 58CM
<b>COLOR 1 (CODE)</b>	MAGNESIUM WHITE, GLOSS (WHT)	MAGNESIUM WHITE, GLOSS (WHT)	JET BLACK, MATTE (BBQ)	NEARLY BLACK W/ BERSERKER GREEN ACCENTS MATTE (BLE)	MAGNESIUM WHITE W/ JET BLACK AND RACE RED ACCENTS, GLOSS (WHT)
<b>COLOR 2 (CODE)</b>	JET BLACK, MATTE (BBQ)	JET BLACK, GLOSS (BLK)	N/A	N/A	N/A

	SLICE RS ULTEGRA	SLICE HI-MOD RED	SLICE 3 ULTEGRA	SLICE 5 105	SUPERX HI-MOD DISC
<b>CODE</b>	C13RMS3D	C13RM2D	C13RM3D	C13RMSD	C13XC0C
<b>FRAME</b>	SLICE RS, FULL CARBON, AERO SAVE, PF30, NAERO-TEC	SLICE, HI-MOD CARBON, AERO SAVE, BB30	SLICE, FULL CARBON, AERO SAVE, BB30	SLICE, FULL CARBON, AERO SAVE, BB30	SUPERX DISC, BALLISTEC HI-MOD CARBON, SPEED SAVE, BB30
<b>FORK</b>	SLICE RS AERO, CARBON W/ INTEGRATED EXTERNAL STEERER, NAERO-TEC	SLICE AERO, HI-MOD CARBON, 1-1/8"	SLICE AERO, FULL CARBON, 1-1/8"	SLICE AERO, FULL CARBON, 1-1/8"	SUPERX DISC, BALLISTEC HI-MOD FULL CARBON, 1-1/8" TO 1-1/4" STEERER
<b>RIMS</b>	MAVIC COSMIC ELITE	FULCRUM RACING 7	FULCRUM RACING 7	SHIMANO RS-10	STANS ALPHA 340 DISC, TUBELESS, 24H FRONT, 28H REAR
<b>HUBS</b>	MAVIC COSMIC ELITE	FULCRUM RACING 7	FULCRUM RACING 7	SHIMANO RS-10	STANS 3.30 TI
<b>SPOKES</b>	MAVIC COSMIC ELITE	FULCRUM RACING 7	FULCRUM RACING 7	SHIMANO RS-10	DT COMPETITION
<b>TIRES</b>	SCHWALBE DURANO S, 700X23C, FOLDING	SCHWALBE DURANO S, 700X23C, FOLDING	SCHWALBE LUGANO, 700X23C, FOLDING	SCHWALBE LUGANO, 700X23C	SCHWALBE RACING RALPH 700X33C
<b>PEDALS</b>	N/A	N/A	N/A	N/A	N/A
<b>CRANK</b>	FSA TRIMAX ALLOY RINGS, BB30, 53/39	CANNONDALE HOLLOWGRAM SI, FSA CHAINRINGS, 53-39T	FSA GOSSAMER TT, BB30, 52,38	FSA GOSSAMER PRO, BB30,53/39	FSA SL-K LIGHT CARBON BB30, 46/36
<b>BOTTOM BRACKET</b>	CANNONDALE ALUMINUM PF30 BB CUP, FSA BB30 BEARING	FSA BB30	FSA BB30	FSA BB30	FSA BB30
<b>CHAIN</b>	SHIMANO ULTEGRA 6700	SRAM PC-1070	SHIMANO 105 5700	SHIMANO TIAGRA 4600, 10-SPEED	KMC X10SL, 10-SPEED
<b>REAR COGS</b>	SHIMANO 105 5700, 12-25, 10-SPEED	SRAM PG-1050, 11-26 10-SPEED	SHIMANO 105 5700, 12-27, 10-SPEED	SHIMANO TIAGRA 4600, 12-28, 10-SPEED	SRAM PG-1070, 11-26, 10-SPEED
<b>FR. DERAILLEUR</b>	SHIMANO ULTEGRA 6700	SRAM RED, BRAZE ON	SHIMANO ULTEGRA 6700	SHIMANO 105 5700	SRAM RED, BRAZE ON
<b>REAR DERAILLEUR</b>	SHIMANO ULTEGRA 6700	SRAM RED	SHIMANO ULTEGRA 6700	SHIMANO 105 5700	SRAM RED
<b>SHIFTERS</b>	SHIMANO DURA-ACE, BAR-END	SRAM TT 900 CARBON	SHIMANO DURA-ACE, BAR-END	MICROSHIFT BAR-END	SRAM RED DOUBLETAP
<b>HANDLEBAR</b>	VISION 31.8MM, VECTOR CARBON EXTENSIONS	CANNONDALE C3 BASE BAR, 31.8 W/ FSA TRI MAX TEAM CLIP ONS	CANNONDALE C3 BASE BAR, 31.8 W/ FSA TRI MAX TEAM CLIP ONS	CANNONDALE C3, 31.8, 6 DEG.	CANNONDALE C1 COMPACT
<b>GRIPS</b>	FI'ZI:K BAR TAPE	CANNONDALE BAR TAPE W/ GEL, 2.5MM	CANNONDALE BAR TAPE W/ GEL, 2.5MM	CANNONDALE BAR TAPE W/ GEL, 2.5MM	CANNONDALE BAR TAPE W/ GEL, 2.5MM
<b>STEM</b>	INTEGRATED, ADJUSTABLE 31.8MM	CANNONDALE C3, 31.8, 6 DEG.	CANNONDALE C3, 31.8, 6 DEG.	CANNONDALE C3, 31.8, 6 DEG.	CANNONDALE C3, 31.8, 6 DEG.
<b>HEADSET</b>	TANGE SEIKI INTEGRATED	SLICE, SI, 15MM TOP CAP	SLICE, SI, 15MM TOP CAP	SLICE, SI, 15MM TOP CAP	SUPER X, 1-1/4" LOWER BEARING, 25MM CARBON TOP CAP
<b>BRAKES</b>	CANNONDALE NAERO-TEC INTEGRATED MINI-V	MAGURA RT-6 TT HYDRAULIC CALIPER	SHIMANO ULTEGRA 6700	TEKTRO R580	AVID BB7 ULTIMATE
<b>BRAKE LEVERS</b>	TRP RL970 CARBON	MAGURA RT-6 TT HYDRAULIC LEVER	ALLOY AERO LEVERS	ALLOY AERO LEVERS	SRAM RED
<b>SADDLE</b>	FI'ZI:K ARIONE TRI2, W/ MG RAILS	FI'ZI:K ARIONE TRI2, W/ MG RAILS	CANNONDALE ERGO TRI	CANNONDALE ERGO TRI	FI'ZI:K TUNDR2 A
<b>SEATPOST</b>	CANNONDALE SLICE RS CARBON NAERO -TEC	CANNONDALE SLICE CARBON AERO	CANNONDALE SLICE CARBON AERO	CANNONDALE SLICE CARBON AERO	CANNONDALE C1, LIGHTWEIGHT ALLOY 27.2X250MM
<b>SIZES</b>	50, 52, 54, 56, 58CM	51, 54, 56, 58, 60CM	51, 54, 56, 58, 60CM	51, 54, 56, 58, 60CM	44, 48, 52, 54, 56, 58CM
<b>COLOR 1 (CODE)</b>	MAGNESIUM WHITE W/ JET BLACK AND RACE RED ACCENTS, GLOSS (WHT)	MARINER BLUE W/ RACE RED AND 40 BLUE ACCENTS, GLOSS (BLU)	MAGNESIUM WHITE W/ ULTRA BLUE, GLOSS (WHT)	JET BLACK W/ CHARCOAL GREY, MATTE (BBQ)	JET BLACK W/ BERSERKER GREEN AND MAGNESIUM WHITE ACCENTS, GLOSS (GRN)

	SUPERX HI-MOD ULTEGRA Di2	SUPERX CARBON ULTEGRA	SUPERX CARBON RIVAL	CAADX DISC ULTEGRA	CAADX 105
<b>CODE</b>	C13XCIC	C13XC3C	C13XC4C	C13XRIC	C13XR5C
<b>FRAME</b>	SUPERX, DI2 SPECIFIC, BALLISTEC HI-MOD CARBON, SPEED SAVE, BB30	SUPERX, BALLISTEC CARBON, SPEED SAVE, BB30	SUPERX, BALLISTEC CARBON, SPEED SAVE, BB30	CAADX CYCLOCROSS DISC, OPTIMIZED 6061 ALLOY, BB30	CAADX CYCLOCROSS, OPTIMIZED 6061 ALLOY, BB30
<b>FORK</b>	SUPERX, BALLISTEC HI-MOD FULL CARBON, 1-1/8" TO 1-1/4" STEERER	SUPERX, BALLISTEC CARBON, 1-1/8" TO 1-1/4" STEERER	SUPERX, BALLISTEC CARBON, 1-1/8" TO 1-1/4" STEERER	CANNONDALE ULTRA X DISC, CARBON BLADES, 1-1/8"	CANNONDALE ULTRA X, CARBON BLADES, 1-1/8"
<b>RIMS</b>	SHIMANO ULTEGRA 6700 TUBELESS	MAVIC KSYRIUM EQUIPE	FULCRUM RACING 7 CX	MADDUX DRX 6000, 32 HOLE	MADDUX DRX 6000, 32 HOLE
<b>HUBS</b>	SHIMANO ULTEGRA 6700	MAVIC KSYRIUM EQUIPE	FULCRUM RACING 7	FORMULA, DC-20LW FRONT, DC-22LW REAR	FORMULA, RB-51 FRONT, RB-52 REAR
<b>SPOKES</b>	SHIMANO ULTEGRA 6700	MAVIC KSYRIUM EQUIPE	FULCRUM RACING 7 CX	STAINLESS STEEL, 15G	STAINLESS STEEL, 15G
<b>TIRES</b>	SCHWALBE RACING RALPH 700X33C	SCHWALBE RAPID ROB, 700X35C	SCHWALBE RAPID ROB, 700X35C	SCHWALBE SAMMY SLICK, 700X35C	SCHWALBE SAMMY SLICK, 700X35C
<b>PEDALS</b>	N/A	N/A	N/A	WELLGO PLATFORM	WELLGO PLATFORM
<b>CRANK</b>	FSA SL-K LIGHT CARBON BB30, 46/36	FSA GOSSAMER PRO, BB30, 46/36	FSA GOSSAMER PRO, BB30, 46/36	FSA GOSSAMER, BB30, 46/36	FSA GOSSAMER, BB30, 46/36
<b>BOTTOM BRACKET</b>	FSA BB30	FSA BB30	FSA BB30	FSA BB30	FSA BB30
<b>CHAIN</b>	SHIMANO ULTEGRA 6700	SHIMANO ULTEGRA 6700	SHIMANO ULTEGRA 6700	SHIMANO 105 5700	KMC X10, 10-SPEED
<b>REAR COGS</b>	SHIMANO ULTEGRA 6700, 12-25, 10-SPEED	SHIMANO ULTEGRA 6700, 12-25, 10-SPEED	SRAM PG-1050, 11-26 10-SPEED	SHIMANO 105 5700, 11-28T, 10-SPEED	SHIMANO TIAGRA 4600, 12-28, 10-SPEED
<b>FR. DERAILLEUR</b>	SHIMANO ULTEGRA DI2	SHIMANO ULTEGRA 6700	SRAM RIVAL	SHIMANO ULTEGRA 6700, 31.8 CLAMP	SHIMANO 105 5700, 34.9MM CLAMP
<b>REAR DERAILLEUR</b>	SHIMANO ULTEGRA DI2	SHIMANO ULTEGRA 6700	SRAM RIVAL	SHIMANO ULTEGRA 6700	SHIMANO 105 5700
<b>SHIFTERS</b>	SHIMANO ULTEGRA DI2	SHIMANO ULTEGRA 6700	SRAM RIVAL DOUBLETAP	SHIMANO ULTEGRA 6700	SHIMANO 105 5700
<b>HANDLEBAR</b>	CANNONDALE C2 COMPACT	CANNONDALE C2 COMPACT	CANNONDALE C2 COMPACT	CANNONDALE C3 COMPACT	CANNONDALE C3 COMPACT
<b>GRIPS</b>	CANNONDALE BAR TAPE W/ GEL, 2.5MM	CANNONDALE BAR TAPE W/ GEL, 2.5MM	CANNONDALE BAR TAPE W/ GEL, 2.5MM	CANNONDALE 3.5MM SUEDE W/ GEL BACKING BAR TAPE	CANNONDALE 3.5MM SUEDE W/ GEL BACKING BAR TAPE
<b>STEM</b>	CANNONDALE C2, 31.8, 6 DEG.	CANNONDALE C2, 31.8, 6 DEG.	CANNONDALE C2, 31.8, 6 DEG.	CANNONDALE C3, 31.8, 6 DEG.	CANNONDALE C3, 31.8, 6 DEG.
<b>HEADSET</b>	CANNONDALE SUPERX, 1-1/8" TO 1-1/4", 15MM TOP CAP	CANNONDALE SUPERX, 1-1/8" TO 1-1/4", 15MM TOP CAP	CANNONDALE SUPERX, 1-1/8" TO 1-1/4", 15MM TOP CAP	CAADX SI, 25MM TOP CAP	CAADX SI, 25MM TOP CAP
<b>BRAKES</b>	TRP EURO-X ALLOY	TRP EURO-X ALLOY	TRP EURO-X ALLOY	CANNONDALE MB700T DISC	TEKTRO CR710
<b>BRAKE LEVERS</b>	SHIMANO ULTEGRA DI2	SHIMANO ULTEGRA	SRAM RIVAL	SHIMANO ULTEGRA 6700	SHIMANO 105 5700
<b>SADDLE</b>	FI'ZI:K TUNDR2	FI'ZI:K TUNDR2 A	FI'ZI:K TUNDR2	CANNONDALE STAGE CX W/ CRMO RAILS	CANNONDALE STAGE CX W/ CRMO RAILS
<b>SEATPOST</b>	CANNONDALE C2, UD CARBON, 27.2X300MM	CANNONDALE C2, UD CARBON, 27.2X300MM	CANNONDALE C3 ALLOY, 27.2MMX300MM	CANNONDALE C3, CARBON WRAP, 27.2X300MM	CANNONDALE C3 ALLOY, 27.2MMX300MM
<b>SIZES</b>	44, 48, 52, 54, 56, 58CM	44, 48, 52, 54, 56, 58CM	44, 48, 52, 54, 56, 58CM	44, 48, 52, 54, 56, 58CM	44, 48, 51, 54, 56, 58, 61CM
<b>COLOR 1 (CODE)</b>	JET BLACK W/ BERSERKER GREEN AND MAGNESIUM WHITE ACCENTS, GLOSS (GRN)				

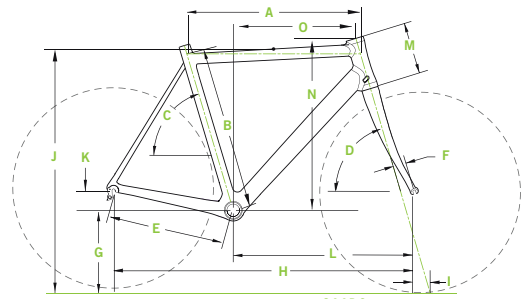
## CAADX TIAGRA

<b>CODE</b>	C13XR6C
<b>FRAME</b>	CAADX CYCLOCROSS, OPTIMIZED 6061 ALLOY, BB30
<b>FORK</b>	CANNONDALE ULTRA X, CARBON BLADES, 1-1/8"
<b>RIMS</b>	MADDUX DRX 6000, 32 HOLE
<b>HUBS</b>	CANNONDALE C4
<b>SPOKES</b>	STAINLESS STEEL, 15G
<b>TIRES</b>	SCHWALBE SAMMY SLICK, 700X35C
<b>PEDALS</b>	WELLGO PLATFORM
<b>CRANK</b>	FSA OMEGA BB30, 46/36
<b>BOTTOM BRACKET</b>	FSA BB30
<b>CHAIN</b>	KMC X10, 10-SPEED
<b>REAR COGS</b>	SHIMANO TIAGRA 4600, 12-28, 10-SPEED
<b>FR. DERAILLEUR</b>	SHIMANO TIAGRA 4600, 34.9MM CLAMP
<b>REAR DERAILLEUR</b>	SHIMANO TIAGRA 4600
<b>SHIFTERS</b>	SHIMANO TIAGRA 4600
<b>HANDLEBAR</b>	CANNONDALE C4 COMPACT
<b>GRIPS</b>	CANNONDALE 3.5MM SUEDE W/ GEL BACKING BAR TAPE
<b>STEM</b>	CANNONDALE C4, 31.8, 6 DEG.
<b>HEADSET</b>	CAADX SI, 25MM TOP CAP
<b>BRAKES</b>	TEKTRO CR520
<b>BRAKE LEVERS</b>	SHIMANO TIAGRA 4600
<b>SADDLE</b>	CANNONDALE STAGE CX W/ STEEL RAILS
<b>SEATPOST</b>	CANNONDALE C4 ALLOY, 27.2MMX300MM
<b>SIZES</b>	44, 48, 51, 54, 56, 58, 61CM
<b>COLOR 1 (CODE)</b>	JET BLACK, MATTE (BBQ)

## CAADX SORA

<b>CODE</b>	C13XR7C
<b>FRAME</b>	CAADX CYCLOCROSS, OPTIMIZED 6061 ALLOY
<b>FORK</b>	CANNONDALE ULTRA X, CARBON BLADES, 1-1/8"
<b>RIMS</b>	MADDUX DRX 6000, 32 HOLE
<b>HUBS</b>	CANNONDALE C4
<b>SPOKES</b>	STAINLESS STEEL, 15G
<b>TIRES</b>	SCHWALBE SAMMY SLICK, 700X35C
<b>PEDALS</b>	WELLGO PLATFORM
<b>CRANK</b>	FSA VERO CROSS COMPACT 46/36
<b>BOTTOM BRACKET</b>	TANGE CARTRIDGE
<b>CHAIN</b>	KMC 9-SPEED
<b>REAR COGS</b>	SRAM PG-950, 12-26, 9-SPEED
<b>FR. DERAILLEUR</b>	SHIMANO SORA 3500, 31.8 CLAMP
<b>REAR DERAILLEUR</b>	SHIMANO SORA 3500
<b>SHIFTERS</b>	SHIMANO SORA 3500
<b>HANDLEBAR</b>	CANNONDALE C4 COMPACT
<b>GRIPS</b>	CANNONDALE 3.5MM SUEDE W/ GEL BACKING BAR TAPE
<b>STEM</b>	CANNONDALE C4, 31.8, 6 DEG.
<b>HEADSET</b>	CAADX SI, 25MM TOP CAP
<b>BRAKES</b>	TEKTRO CR520
<b>BRAKE LEVERS</b>	SHIMANO SORA 3500
<b>SADDLE</b>	CANNONDALE STAGE CX W/ STEEL RAILS
<b>SEATPOST</b>	CANNONDALE C4 ALLOY, 27.2MMX300MM
<b>SIZES</b>	44, 48, 51, 54, 56, 58, 61CM
<b>COLOR 1 (CODE)</b>	FINE SILVER, GLOSS (SLV)





SUPERSIX EVO & SUPERSIX

SPECIFICATIONS	48	50	52	54	56	58	60	63
A HORIZONTAL TOP TUBE LENGTH (CM)	51	52	53.5	54.5	56	57.5	59	60
B MEASURED SIZE (CM)*	46	48	50	52	54	56	58	61
C SEAT TUBE ANGLE (DEGREES)	74.5°	74.5°	74°	73.5°	73.5°	73°	72.5°	72°
D HEAD TUBE ANGLE (DEGREES)	71.5°	72.0°	72.5°	73°	73°	73.5°	★	★
E CHAINSTAY LENGTH (CM)	40.5	★	★	★	★	★	★	40.8
F FORK RAKE (CM)	4.5	★	★	★	★	★	★	★
G BOTTOM BRACKET HEIGHT (CM)	26.5	★	★	26.8	26.8	27	★	★
H WHEELBASE (CM)	96.2	96.7	97.3	97.5	99	99.6	100.8	101.1
I TRAIL (CM)	6.5	6.2	5.9	5.6	5.6	5.3	★	★
J STANDOVER AT TOP TUBE MIDPOINT (CM)	74.2	75.5	76.7	78.8	80.4	82.5	84.3	86.9
K BOTTOM BRACKET DROP (CM)	7.2	★	★	6.9	6.9	6.7	★	★
L FRONT CENTER DISTANCE (CM)	56.3	56.9	57.5	57.6	59.1	59.7	60.6	60.9
M HEAD TUBE LENGTH (CM)	11	11.5	12	14	15.5	17.5	19.5**	22
N STACK (CM)	51.3	51.9	52.6	54.4	55.8	57.7	59.6***	62
O REACH (CM)	36.8	37.6	38.4	38.4	39.5	39.9	40.2	39.9

\* THE MEASURED SIZE IS FROM THE CENTER OF THE BOTTOM BRACKET TO THE TOP OF THE TOP TUBE, MEASURED ALONG THE SEAT TUBE AXIS.  
 \*\* SIZE 60 EVO HAS A HEAD TUBE LENGTH OF 19.5 WHILE FOR SUPER SIX THE LENGTH IS 19.  
 \*\*\* SIZE 60 EVO HAS A STACK OF 59.6 WHILE FOR SUPER SIX THE STACK IS 59.3

CAAD10

SPECIFICATIONS	48	50	52	54	56	58	60	63
A HORIZONTAL TOP TUBE LENGTH (CM)	51.5	52.5	53.5	54.5	56.0	57.5	59.0	60.0
B MEASURED SIZE (CM)*	46	48	50	52	54	56	58	61
C SEAT TUBE ANGLE (DEGREES)	74.5°	74.5°	74°	73.5°	73.5°	73°	72.5°	72°
D HEAD TUBE ANGLE (DEGREES)	72°	72.5°	73°	73°	73°	73.5°	★	★
E CHAINSTAY LENGTH (CM)	40.5	40.5	40.8	★	★	★	★	★
F FORK RAKE (CM)	5	★	★	★	4.5	★	★	★
G BOTTOM BRACKET HEIGHT (CM)	26.5	26.5	26.5	26.8	26.8	27.0	27.0	27.0
H WHEELBASE (CM)	96.5	97.2	97.7	97.8	99.3	99.9	100.1	101.3
I TRAIL (CM)	6.2	5.9	5.6	★	★	5.3	★	★
J STANDOVER AT TOP TUBE MIDPOINT (CM)	74	75.3	76.5	78.5	80.1	82.2	83.8	86.6
K BOTTOM BRACKET DROP (CM)	7.2	★	★	6.9	6.9	6.7	★	★
L FRONT CENTER DISTANCE (CM)	57	57.7	57.9	58.0	59.7	60.1	61.0	61.4
M HEAD TUBE LENGTH (CM)	11	11.5	12.0	14.0	15.5	17.5	19.0	22.0
N STACK (CM)	51.7	52.3	52.9	54.6	56.0	57.9	59.3	62.2
O REACH (CM)	36.8	37.8	38.2	38.3	39.4	39.9	40.4	39.9

CAAD8

SPECIFICATIONS	48	51	54	56	58	61
A HORIZONTAL TOP TUBE LENGTH (CM)	51	53	54.5	56	57.5	59.5
B MEASURED SIZE (CM)*	46	49	52	54	56	59
C SEAT TUBE ANGLE (DEGREES)	75°	74.5°	73.5°	73.5°	73°	72.5°
D HEAD TUBE ANGLE (DEGREES)	72°	72.5°	73°	73°	73.5°	73.5°
E CHAINSTAY LENGTH (CM)	40.8	★	★	★	★	★
F FORK RAKE (CM)	5	5	4.5	★	★	★
G BOTTOM BRACKET HEIGHT (CM)	26.5	26.5	26.8	26.8	27	27
H WHEELBASE (CM)	96.6	97.9	97.8	99.3	100	101.4
I TRAIL (CM)	5.6	5.3	5.5	5.5	5.2	5.2
J STANDOVER AT TOP TUBE MIDPOINT (CM)	74.4	76.6	78.9	80.6	82.6	85.4
K BOTTOM BRACKET DROP (CM)	7.2	7.2	6.9	6.9	6.7	6.7
L FRONT CENTER DISTANCE (CM)	56.4	57.8	57.6	59.1	59.7	61.1
M HEAD TUBE LENGTH (CM)	12.5	14	15.5	17	19	22
N STACK (CM)	52.8	54.4	55.8	57.3	59.2	62
O REACH (CM)	36.4	37.7	37.9	39	39.5	40.1

SYNAPSE CARBON

SPECIFICATIONS	48	51	54	56	58	61
A HORIZONTAL TOP TUBE LENGTH (CM)	51	52.5	54	56	58	60
B MEASURED SIZE (CM)*	42	45	48	51	53	56
C SEAT TUBE ANGLE (DEGREES)	74.5°	74°	74°	73.5°	73°	72.5°
D HEAD TUBE ANGLE (DEGREES)	71°	72°	72°	72.5°	73°	73°
E CHAIN STAY LENGTH (CM)	41	★	★	★	★	★
F FORK RAKE (CM)	5	★	★	★	★	★
G BOTTOM BRACKET HEIGHT (CM)	26.5	26.5	26.8	26.8	27.0	27.0
H WHEELBASE (CM)	97.0	97.5	98.7	99.9	101.1	102.6
I TRAIL (CM)	6.3	5.7	6.2	5.9	5.6	5.6
J STANDOVER AT TOP TUBE MIDPOINT (CM)	72.1	74.4	77.1	79.1	81.1	83.4
K BOTTOM BRACKET DROP (CM)	7.2	7.2	6.9	6.9	6.7	6.7
L FRONT CENTER DISTANCE (CM)	57.1	57.6	58.7	59.9	61.0	62.5
M HEAD TUBE LENGTH (CM)	13	14.5	16.5	18	20	22
N STACK (CM)	53.0	54.8	56.6	58.2	60.1	62.0
O REACH (CM)	35.5	36.3	37.4	38.6	39.6	40.5

SYNAPSE ALLOY

SPECIFICATIONS	48	51	54	56	58	61
A HORIZONTAL TOP TUBE LENGTH (CM)	51	52.5	54	56	58	60
B MEASURED SIZE (CM)*	44	47	50	53	55	58
C SEAT TUBE ANGLE (DEGREES)	74.5°	74°	74°	73.5°	73°	72.5°
D HEAD TUBE ANGLE (DEGREES)	70.5°	72°	72°	72.5°	73°	73°
E CHAIN STAY LENGTH (CM)	41.5	★	★	★	★	★
F FORK RAKE (CM)	5.0	★	★	★	★	★
G BOTTOM BRACKET HEIGHT (CM)	26.5	26.5	26.8	26.8	27.0	27.0
H WHEELBASE (CM)	97.9	98.0	99.8	100.9	102.1	103.6
I TRAIL (CM)	6.6	5.7	5.7	5.4	5.1	5.1
J STANDOVER AT TOP TUBE MIDPOINT (CM)	73.2	75.6	78.1	80.2	82.2	84.5
K BOTTOM BRACKET DROP (CM)	7.2	7.2	6.9	6.9	6.7	6.7
L FRONT CENTER DISTANCE (CM)	57.5	57.6	59.3	60.4	61.5	63.0
M HEAD TUBE LENGTH (CM)	13	14.5	16.5	18	20	22
N STACK (CM)	52.9	54.8	56.4	58.0	59.9	61.9
O REACH (CM)	35.5	36.4	37.5	38.7	39.7	40.6

SUPERX

SPECIFICATIONS	44	48	52	54	56	58
A HORIZONTAL TOP TUBE LENGTH (CM)	51	52	54	55	57	59
B MEASURED SIZE (CM)*	44	48	52	54	56	58
C SEAT TUBE ANGLE (DEGREES)	75°	74°	73.5°	73.5°	73°	73°
D HEAD TUBE ANGLE (DEGREES)	69°	69.5°	71.5°	72°	72.5°	72.5°
E CHAIN STAY LENGTH (CM)	43	★	★	★	★	★
F FORK RAKE (CM)	4.5	★	★	★	★	★
G BOTTOM BRACKET HEIGHT (CM)	28.1	★	★	★	★	★
H WHEELBASE (CM)	101.7	101.4	101.1	101.7	102.6	104.7
I TRAIL (CM)	8.5	8.4	7.0	6.7	6.4	6.4
J STANDOVER AT TOP TUBE MIDPOINT (CM)	74.9	77.0	80.4	82.2	83.6	85.5
K BOTTOM BRACKET DROP (CM)	6.7	★	★	★	★	★
L FRONT CENTER DISTANCE (CM)	59.6	59.3	59.0	59.6	60.5	62.6
M HEAD TUBE LENGTH (CM)	10	11	13.5	15	16	18
N STACK (CM)	51.8	52.9	56.0	57.6	58.8	60.7
O REACH (CM)	37.1	36.8	37.4	37.9	39.0	40.5

CAADX

SPECIFICATIONS	44	48	51	54	56	58	61
A HORIZONTAL TOP TUBE LENGTH (CM)	51.5	52.5	53.5	54.5	56	57.5	59
B MEASURED SIZE (CM)*	44	47	50	53	55	57	60
C SEAT TUBE ANGLE (DEGREES)	75°	74.5°	74°	73.5°	73.0°	73.0°	72.5°
D HEAD TUBE ANGLE (DEGREES)	69.5°	70.5°	71°	72°	72.5°	★	★
E CHAIN STAY LENGTH (CM)	43.2	★	★	★	★	★	★
F FORK RAKE (CM)	4.5	★	★	★	★	★	★
G BOTTOM BRACKET HEIGHT (CM)	26.7	★	★	★	★	★	★
H WHEELBASE (CM)	101	101.1	101.4	101.2	101.8	★	★
I TRAIL (CM)	7.7	7.1	6.7	6.1	5.8	★	★
J STANDOVER AT TOP TUBE MIDPOINT (CM)	73.9	76.2	78.5	80.7	82	84	86
K BOTTOM BRACKET DROP (CM)	6.7	★	★	★	★	★	★
L FRONT CENTER DISTANCE (CM)	58.7	58.8	59.1	58.9	59.5	61	62
M HEAD TUBE LENGTH (CM)	12	13	14.5	15.5	16	18	20
N STACK (CM)	51.2	52.5	54.1	55.4	56	58	60
O REACH (CM)	36.9	37.4	37.6	37.9	38.8	39.7	40.1

\* THE MEASURED SIZE IS FROM THE CENTER OF THE BOTTOM BRACKET TO THE TOP OF THE TOP TUBE, MEASURED ALONG THE SEAT TUBE AXIS.

SLICE RS

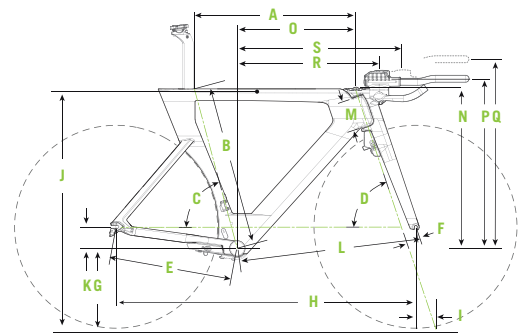
SPECIFICATIONS	50	52	54	56	58
A TOP TUBE (CM/IN)	50.4	51.9	53.4	54.9	56.4
B SEAT TUBE LENGTH (CM/IN)	50.0	51.0	53.0	55.0	57.0
C SEAT TUBE ANGLE (DEGREES)*	*VARIABLE	★	★	★	★
D HEAD TUBE ANGLE (DEGREES)	71.5°	★	★	★	★
E CHAIN STAY LENGTH (CM/IN)	40.5	★	★	★	★
F FORK RAKE (CM/IN)	4.5	★	★	★	★
G BOTTOM BRACKET HEIGHT (CM/IN)	26.5	★	★	★	★
H WHEELBASE (CM/IN)	96.2	97.8	99.4	101.0	102.7
I TRAIL (CM/IN)	6.5	★	★	★	★
J STANDOVER AT TOP TUBE MIDPOINT (CM)	76.5	77.5	79.5	81.5	83.5
K BOTTOM BRACKET DROP (CM/IN)	7.2	★	★	★	★
L FRONT CENTER (CM/IN)	56.5	58.0	59.7	61.3	62.9
M HEAD TUBE LENGTH (CM/IN)	7.0	8.0	10.2	12.3	14.4
N STACK (CM/IN)	50.0	51.0	53.0	55.0	57.0
O REACH (CM/IN)	36.9	38.2	39.2	40.1	41.1
P PAD STACK LOWEST (CM/IN)	53.5	54.5	56.5	58.5	60.5
Q PAD STACK HIGHEST (CM/IN)	60.5	61.5	63.5	65.5	67.5
R PAD REACH SHORTEST (CM/IN)	44.1	45.4	46.4	47.3	48.3
S PAD REACH LONGEST (CM/IN)	48.1	49.4	50.4	51.3	52.3

PAD STACK AND REACH ARE MEASURED TO THE CENTER OF THE PAD. SUBTRACT 40MM FOR REAR OF PAD. FSA AERO EXTENSIONS AND ARM RESTS.  
 \* THE SLICE RS SEAT POST IS REVERSIBLE. A FULL RANGE OF ANGLES FROM 74 TO 79 DEGREES IS ACHIEVABLE DEPENDING ON THE RIDER'S PREFERENCE AND/OR THE EVENT.

SLICE

SPECIFICATIONS	51	54	56	58	60
A TOP TUBE (CM/IN)	50.5	53.5	55	56.5	58
B SEAT TUBE LENGTH (CM/IN)	50.0	51.5	53.5	55.5	57.5
C SEAT TUBE ANGLE (DEGREES)*	*VARIABLE	★	★	★	★
D HEAD TUBE ANGLE (DEGREES)	71.5°	71.5°	72°	72°	72°
E CHAIN STAY LENGTH (CM/IN)	40	★	★	★	★
F FORK RAKE (CM/IN)	4.5	★	★	★	★
G BOTTOM BRACKET HEIGHT (CM/IN)	26.5	★	★	★	★
H WHEELBASE (CM/IN)	95.4	98.5	99.7	101.3	102.6
I TRAIL (CM/IN)	6.5	6.5	6.2	6.2	6.2
J STANDOVER AT TOP TUBE MIDPOINT (CM)	74.9	76.4	78.3	80.2	82.2
K BOTTOM BRACKET DROP (CM/IN)	7.2	★	★	★	★
L FRONT CENTER (CM/IN)	56.5	59.6	60.7	62.3	63.9
M HEAD TUBE LENGTH (CM/IN)	9	10.5	12.5	14.5	17
N STACK (CM/IN)	**49.4	50.9	52.9	54.8	57.2
O REACH (CM/IN)	**37.1	39.8	40.7	41.7	42.5

\* THE SLICE SEAT POST HAS TWO POSITIONS FOR MOUNTING THE SADDLE. A FULL RANGE OF ANGLES FROM 73 TO 78 DEGREES IS ACHIEVABLE DEPENDING ON THE RIDER'S PREFERENCE AND/OR THE EVENT.  
 \*\* STACK IS MEASURED VERTICALLY FROM THE CENTER OF THE BB TO THE TOP OF THE HEAD TUBE. REACH IS MEASURED HORIZONTALLY FROM THE CENTER OF THE BB TO THE TOP OF THE HEAD TUBE. IF YOU RIDE A 56 ROAD FRAME, YOU SHOULD CHOOSE A SIZE 56 SLICE FRAME.  
 ALL SIZES HAVE 700C WHEELS.



## REGISTERED TRADEMARKS® OF CYCLING SPORTS GROUP, INC.:

Cannondale, the Cannondale "C" logo, the Cannondale train station logo, Daytripper, Claymore, CSGXCHANGE, Fatty, Gemini, Jekyll, Lefty, Perp, Prophet, Scalpel, Slice, Velopods, Synapse, System6, Systemsix, Hooligan, Felicity, SIMON, ELO, Felicity, Scarlet, SuperSix.

## TRADEMARKS™ OF CYCLING SPORTS GROUP, INC.:

BB30, Beat Box, CAAD (Cannondale Advanced Aluminum Design), HeadShok, Hi-MOD, Hollowgram, "Fit, Features and Fashion", Naero, PowerPyramid, Quick, Q-Lab, RZ, SAVE, Si, Spidering, System Integration, BallisTec Carbon, SmartFormed Alloy, ECS-TC (Enhanced Center-Stiffness, Torsion Control) System, Zero Pivot, Lexi, Althea, Trigger, Narrow is Aero, Durathon and PopTop.

Liquigas is a registered trademark and used with their permission. Reve 2012 is a copyright of Reve/Velodramatic. FOX, FOX Racing Shox and Dyad RT2 are registered trademarks of FOX Factory Inc. and are used with their permission. Solo Air, RockShok, XLoc are registered trademarks of SRAM and are used with their permission. X-12 is a trademark of Syntace GmbH and is used with their permission. EVO is a trademark of Aprebic Industry Co. Ltd. and used under license.

Cannondale supports pro teams. We are grateful for the past and/or current support of: FSA, Mavic, SRAM (including Avid, Rockshox, Zipp), Lotto, Rudy Project, MeT, Nalini, Sidi, fi'zi:k, SRM, Speedplay, Schwalbe, Elite, Sci Con, Crankbrothers, Avid, Cyclocrossworld.com, Zipp, Grip Grab, Campagnolo, Shimano. Branding from these partners, based on sponsor agreements may be seen on photos in this catalog. Individual athletes may display other sponsored brands, based upon their own sponsorship agreements with those brands.

## WWW.CANNONDALE.COM

Please visit [cannondale.com](http://www.cannondale.com) to learn more about Cannondale and the 2013 bikes! Specifications subject to change without notice.

Please refer to [www.cannondale.com](http://www.cannondale.com) for the most recent specifications.

## NO WEIGHTS?

Don't believe the hype. Scales differ, and marketing departments have been known to fib. The best way to compare bike weights is to head to your local bike shop. Grab two comparably spec'd and built bikes, and ask the proprietor for a scale. Hang 'em high, and see who's the lightest.

## SPECIAL THANKS GOES TO:

ALE DILULLO	MIKE KARCHER/WIX PIX	SMITH OPTICS
ARMIN KUSTENBRUCK	REBECCA MARSHALL	THULE
BETTINI PHOTO	ROBERTSON/VELODRAMATIC	OAKLEY
BRIAN VERNOR	SINCERE PHOTO AND DESIGN	OSPREY PACKS
DH PRODUCTIONS	WIL MATTHEWS	MAVIC
GARTH MILAN	WTB	ALL OF OUR MODELS
HAVERKORT DEKKER FOTOGRAFIE	KINGDOM TRAILS ASSOCIATION	OUR RIDERS
JAKE HAMM	DEER VALLEY RESORT	OUR VENDORS
JASON GOULD	WHITE PINE TOURING	OUR DEALERS
LIAM DORAN	NATIVE EYEWEAR	AND YOU FOR RIDING A CANNONDALE
MARCOTONIOLLO		



## WARNINGS!

**Bicycling has risks of serious injury or death that cannot be completely avoided. Risk can be minimized by: Reading and following all warnings and instructions in owner's manuals, owner's manual supplements, always wearing a helmet, practice and step-by-step learning, riding in control and within your capabilities.**

**Catalog text and descriptions are marketing materials, not instructions or guidelines for use!**

**Visit <http://www.cannondale.com/bikes/tech/safety> for warnings, technical documents, and safety guidelines.**

**Warning:** Reflectors are not a substitute for proper lights. It is your responsibility to equip your bicycle with all state and locally mandated lights. Riding at dawn, at dusk, at night or at other times of poor visibility without a bicycle lighting system which meets local and state laws and without reflectors is dangerous and may result in serious injury or death.

If you ride your bike before dawn or after dusk, your bicycle must be equipped with lights so that you can see the road and avoid road hazards, and so that others can see you. Traffic laws treat bicycles like any other vehicle. That means you must have a white front and a red rear light operating if you are riding after dusk. Your bike dealer can recommend a battery or generator powered lighting system appropriate to your needs.

Cannondale also strongly urges you to use a flashing light or strobe. All of us at Cannondale who ride at night or in conditions of lower visibility use flashers. They can save your life!

**Please note:** Despite our nagging, members of the Liquigas pro road racing team (and other professional sponsored teams) may appear or ride without helmets. We don't think it's a good idea, but they are experienced, professional cyclists and they know the risks. They are also adults, so we respect their right to choose. Despite the intransigence of any teams, we strongly advocate the use of helmets on every ride. Wearing a helmet is perhaps your single best defense against a major medical catastrophe while riding, so buckle up!

**Warning: Free riding is inherently dangerous. Read Free ride Warning at <http://www.cannondale.com/bikes/tech/safety.html>**