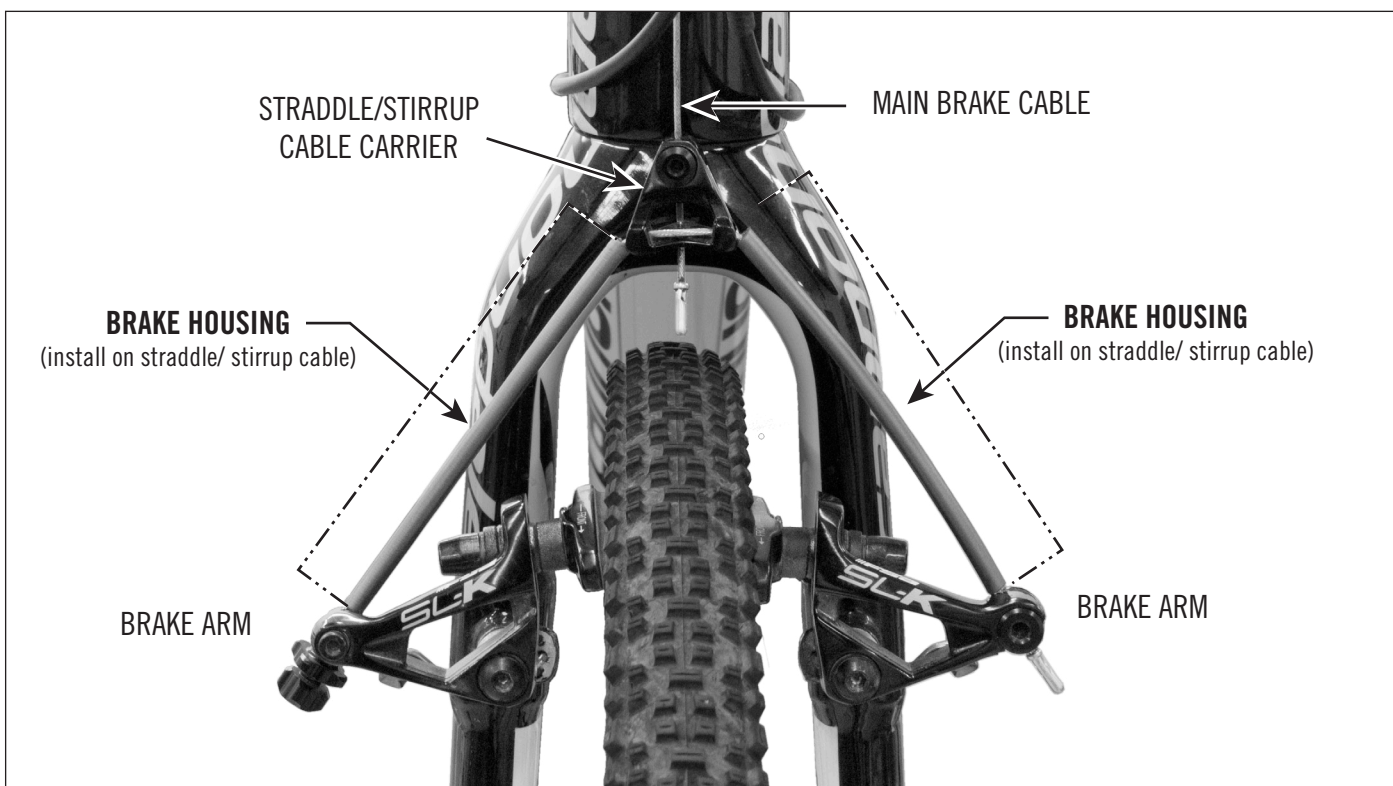


Super X Cantilever Brake Housing Placement Instructions



ATTENTION MECHANIC:

It is necessary to install sections of brake housing on the straddle brake cable of both the front and rear cantilever brakes. The installed housing sections will prevent the stirrup cable from contacting the tire in the event of failure of the main brake cable the wheel in the event of a brake cable failure.

Please install brake cable housing lengths of the lengths indicated in the table below during set-up of the brakes. A front brake is shown above. The same must be done for the rear brakes. The housing on each side must be fitted so the housing covers the complete cable between the straddle cable carrier and the anchor bolts of each brake arm.

BIKE SIZE	FRONT BRAKE HOUSING LENGTH	REAR BRAKE HOUSING LENGTH
44 - 48 cm	110 mm	90 mm
52 - 58 cm	110 mm	110 mm

If you have questions about these instructions, please contact CSG Technical Support at 1-800-THE-BIKE (1-800-843-2453).