



cannondale

2020



Road

RACE

ENDURANCE

GRAVEL

Road Line-Up

Race



SYSTEMSIX



SUPERSIX EVO



CAAD13



CAAD OPTIMO

Gravel



TOPSTONE CARBON



TOPSTONE



SUPERX



CAADX

Endurance



SYNAPSE HI-MOD



SYNAPSE CARBON



SYNAPSE

Faster Everywhere

The fastest UCI-legal road bike in the world.
More speed with less effort. Simple as that.

Key Features

- **Simply the Fastest**
SystemSix produces the least aerodynamic drag of any road bike on the market, which helps any rider go faster, easier.
- **Seriously — It's So Fast**
SystemSix outstrips opponents, and not just where you'd expect. It sprints, descends and even climbs most hills faster, conserving watts off the front, in the draft, or in the laughing group.
- **A Sweet Ride-Feel, Too**
SystemSix maximizes the benefits of disc brakes, big volume tires and EVO-inspired geometry. Dramatic drag reduction. Great handling. Explosive performance. Make the most of the watts you've got.



Category

Road | Race

Sizes

Women's:
47, 51, 54

Men's:
47, 51, 54, 56, 58,
60, 62cm

Wheel / Tire Size

700 x26mm (23c)

SystemSix Hi-MOD Dura Ace Di2



C11100M

Frame	BallisTec HI-MOD Carbon, integrated cable routing w/ Switchplate, SAVE, PF30a, flat mount disc, 142x12 Speed Release thru-axle	Rear Cogs	Shimano Dura-Ace, 11-30, 11-speed
Fork	BallisTec HI-MOD Carbon, 1-1/8" - 1-1/4" steerer, 12x100mm Speed Release thru-axle, flat mount disc, 55mm offset (47-51cm) 45mm offset (54-62cm)	Front Derailleur	Shimano Dura-Ace Di2, braze-on
Rims	HollowGram 64 SL KNØT, Carbon, 20h front, 24h rear, 64mm deep, 21mm ID, tubeless ready	Rear Derailleur	Shimano Dura-Ace Di2
Hubs	(F) HollowGram KNØT, sealed bearing 12x100 centerlock / (R) HollowGram KNØT, 12x142 centerlock w/ DT Swiss internals	Shifters	Shimano Dura-Ace Di2 hydro disc, 2x11
Spokes	DT Swiss Aerolite, straight pull	Handlebar	HollowGram SystemBar KNØT, alloy w/ cable cover
Tires	Vittoria Rubino Pro Speed, 700 x 26mm (23c)	Grips	Cannondale Grip Bar Tape w/Gel, 3.5mm
Pedals	Not Included	Stem	HollowGram Stem KNØT, alloy w/ cable cover, -17°
Crank	HollowGram SISL2 w/ pre-installed power2max NG Eco Power Meter (not activated), BB30a, Vision rings, 52/36	Headset	Tapered, 1-1/8" upper, 1-1/4" lower bearing
Bottom Bracket	Cannondale Alloy PressFit30	Brakes	Shimano Dura Ace Di2 hydro disc, 160/140mm RT900 rotors
Chain	Shimano Dura-Ace, 11-speed	Brake Levers	Shimano Dura-Ace Di2 hydro disc
		Saddle	Prologo Dimension Nack NDR, 143mm width, carbon rails
		Seatpost	HollowGram 60 KNØT Carbon, 330mm
		Connectivity	Wheel Sensor
		Sizes	47, 51, 54, 56, 58, 60, 62
		Color 1	BBQ (BBQ)

SystemSix Carbon Ultegra Di2



C11300M

Frame	BallisTec Carbon, integrated cable routing w/ Switchplate, SAVE, PF30a, flat mount disc, 142x12 Speed Release thru-axle	Front Derailleur	Shimano Ultegra Di2, braze-on
Fork	BallisTec Carbon, 1-1/8" - 1-1/4" steerer, 12x100mm Speed Release thru-axle, flat mount disc, 55mm offset (47-51cm) 45mm offset (54-62cm)	Rear Derailleur	Shimano Ultegra Di2
Rims	HollowGram 64 SL KNØT, Carbon, 20h front, 24h rear, 64mm deep, 21mm ID, tubeless ready	Shifters	Shimano Ultegra Di2 hydro disc, 2x11
Hubs	(F) HollowGram KNØT, sealed bearing 12x100 centerlock / (R) HollowGram KNØT, 12x142 centerlock w/ DT Swiss internals	Handlebar	HollowGram SystemBar KNØT, alloy w/ cable cover
Spokes	DT Swiss Aerolite, straight pull	Grips	Cannondale Grip Bar Tape w/Gel, 3.5mm
Tires	Vittoria Rubino Pro Speed, 700 x 26mm (23c)	Stem	HollowGram Stem KNØT, alloy w/ cable cover, -17°
Pedals	Not Included	Headset	Tapered, 1-1/8" upper, 1-1/4" lower bearing
Crank	HollowGram, BB30a w/ OPI SpideRing, 52/36	Brakes	Shimano Ultegra Di2 hydro disc, 160/140mm RT800 rotors
Bottom Bracket	Cannondale Alloy PressFit30	Brake Levers	Shimano Ultegra Di2 hydro disc
Chain	Shimano HG701, 11-speed	Saddle	Prologo Dimension NDR, 143mm width, Tirox rails
Rear Cogs	Shimano Ultegra, 11-30, 11-speed	Seatpost	HollowGram 60 KNØT Carbon, 330mm
		Connectivity	Wheel Sensor
		Sizes	47, 51, 54, 56, 58, 60, 62
		Color 1	Team Replica (REP)
		Color 2	Sage Gray (SGG)

SystemSix Hi-MOD Red eTap AXS



C11200M

Frame	BallisTec HI-MOD Carbon, integrated cable routing w/ Switchplate, SAVE, PF30a, flat mount disc, 142x12 Speed Release thru-axle	Rear Cogs	SRAM XG-1290, 10-28, 12-speed
Fork	BallisTec HI-MOD Carbon, 1-1/8" - 1-1/4" steerer, 12x100mm Speed Release thru-axle, flat mount disc, 55mm offset (47-51cm) 45mm offset (54-62cm)	Front Derailleur	SRAM RED eTap AXS, braze-on
Rims	HollowGram 64 SL KNØT, Carbon, 20h front, 24h rear, 64mm deep, 21mm ID, tubeless ready	Rear Derailleur	SRAM RED eTap AXS
Hubs	(F) HollowGram KNØT, sealed bearing 12x100 centerlock / (R) HollowGram KNØT, 12x142 centerlock w/ DT Swiss internals, SRAM XDR driver	Shifters	SRAM RED eTap AXS HRD, 2x12
Spokes	DT Swiss Aerolite, straight pull	Handlebar	HollowGram SystemBar KNØT, alloy w/ cable cover
Tires	Vittoria Rubino Pro Speed, 700 x 26mm (23c)	Grips	Cannondale Grip Bar Tape w/Gel, 3.5mm
Pedals	Not Included	Stem	HollowGram Stem KNØT, alloy w/ cable cover, -17°
Crank	SRAM RED Carbon, 48/35	Headset	Tapered, 1-1/8" upper, 1-1/4" lower bearing
Bottom Bracket	SRAM RED DUB PF30	Brakes	SRAM RED eTap AXS HRD, 160/160mm Centerlock rotors
Chain	SRAM RED, 12-speed	Brake Levers	SRAM RED eTap AXS HRD
		Saddle	Prologo Dimension NDR, 143mm width, Tirox rails
		Seatpost	HollowGram 60 KNØT Carbon, 330mm
		Connectivity	Wheel Sensor
		Sizes	47, 51, 54, 56, 58, 60, 62
		Color 1	Champagne (CHP)

SystemSix Carbon Ultegra



C11400M

Frame	BallisTec Carbon, integrated cable routing w/ Switchplate, SAVE, PF30a, flat mount disc, 142x12 Speed Release thru-axle	Front Derailleur	Shimano Ultegra, braze-on
Fork	BallisTec Carbon, 1-1/8" - 1-1/4" steerer, 12x100mm Speed Release thru-axle, flat mount disc, 55mm offset (47-51cm) 45mm offset (54-62cm)	Rear Derailleur	Shimano Ultegra GS
Rims	Vision SC55 Carbon Clincher 12x100 front, SC55 Carbon Clincher 12x142 rear	Shifters	Shimano Ultegra hydro disc, 2x11
Hubs	(F) Vision Sealed Cartridge hub 12x100 / (R) Vision Sealed Cartridge hub, 12x142	Handlebar	Vision Metron 4D Flat, UD Carbon
Spokes	Vision, Aero bladed	Grips	Cannondale Grip Bar Tape w/Gel, 3.5mm
Tires	Vittoria Rubino Pro Speed, 700 x 26mm (23c)	Stem	Vision Trimax OS, 2014 alloy, 3D Forged
Pedals	Not Included	Headset	Tapered, 1-1/8" upper, 1-1/4" lower bearing
Crank	HollowGram, BB30a w/ OPI SpideRing, 52/36	Brakes	Shimano Ultegra hydro disc, 160/140mm RT81 rotors
Bottom Bracket	Cannondale Alloy PressFit30	Brake Levers	Shimano Ultegra hydro disc
Chain	Shimano HG601, 11-speed	Saddle	Prologo Dimension STN NDR, steel rails
Rear Cogs	Shimano 105, 11-30, 11-speed	Seatpost	HollowGram 60 KNØT Carbon, 330mm
		Connectivity	Wheel Sensor
		Sizes	47, 51, 54, 56, 58, 60, 62
		Color 1	Cashmere (CAS)
		Color 2	Black Pearl (BPL)

SystemSix Carbon Women's Ultegra Di2



C11300F

Frame	BallisTec Carbon, integrated cable routing w/ Switchplate, SAVE, PF30a, flat mount disc, 142x12 Speed Release thru-axle	Front Derailleur	Shimano Ultegra Di2, braze-on
Fork	BallisTec Carbon, 1-1/8" - 1-1/4" steerer, 12x100mm Speed Release thru-axle, flat mount disc, 55mm offset (47-51cm) 45mm offset (54cm)	Rear Derailleur	Shimano Ultegra Di2
Rims	HollowGram 64 SL KNØT, Carbon, 20h front, 24h rear, 64mm deep, 21mm ID, tubeless ready	Shifters	Shimano Ultegra Di2 hydro disc, 2x11
Hubs	(F) HollowGram KNØT, sealed bearing 12x100 centerlock / (R) HollowGram KNØT, 12x142 centerlock w/ DT Swiss internals	Handlebar	HollowGram SystemBar KNØT, alloy w/ cable cover
Spokes	DT Swiss Aerolite, straight pull	Grips	Cannondale Grip Bar Tape w/Gel, 3.5mm
Tires	Vittoria Rubino Pro Speed, 700 x 26mm (23c)	Stem	HollowGram Stem KNØT, alloy w/ cable cover, -17°
Pedals	Not Included	Headset	Tapered, 1-1/8" upper, 1-1/4" lower bearing
Crank	HollowGram, BB30a w/ OPI SpideRing, 52/36	Brakes	Shimano Ultegra Di2 hydro disc, 160/140mm RT800 rotors
Bottom Bracket	Cannondale Alloy PressFit30	Brake Levers	Shimano Ultegra Di2 hydro disc
Chain	Shimano HG701, 11-speed	Saddle	Prologo Dimension Space, 153mm wide, Tirox rails
Rear Cogs	Shimano Ultegra, 11-30, 11-speed	Seatpost	HollowGram 60 KNØT Carbon, 330mm
		Connectivity	Wheel Sensor
		Sizes	47, 51, 54
		Color 1	Sherpa (SRP)



Fast, Just Got Faster.

A pure road bike. Light, smooth and ultra fast. The evolution of the classic race machine.

Key Benefits

▫ Less Drag. More Speed.

30 watts. That's how much power the drag-reducing tube shapes and integrated design of the new SuperSix EVO saves over the prior version at 30 mph (48.3 km/h). Fast just got faster.

▫ Feel the Light.

The lightest disc brake road frameset we've ever made. The new SuperSix EVO is ready to throw down when the grade goes up.

▫ Swift and Sure.

Racy geometry and stiffness for explosive speed. Better micro-suspension and big tire clearance for surprising smoothness. It all adds up to precise handling and a ride-feel that's out of sight.

Category

Road | Race

Sizes

Women's:
44, 48, 50, 52, 54

Men's:
48, 50, 52, 54, 56,
58, 60, 63cm

Wheel / Tire Size

700 x25c

SuperSix EVO Hi-MOD Disc Dura Ace Di2



C11150M

Frame	All-New, BallisTec Hi-MOD Carbon, integrated cable routing w/ Switchplate, 142x12 Speed Release thru-axle, SAVE, PF30a, flat mount disc, integrated seat binder	Chain	Shimano Dura-Ace, 11-speed
Fork	All-New, BallisTec Hi-MOD Carbon, SAVE, 1-1/8" to 1-1/4" steerer, integrated crown race, 12x100mm Speed Release thru-axle, flat mount disc, internal routing, 55mm offset (48-54cm) 45mm offset (56-62cm)	Rear Cogs	Shimano Dura-Ace, 11-30, 11-speed
Rims	HollowGram 45 SL KNØT, Carbon, 20h front, 24h rear, 45mm deep, 21mm ID, tubeless ready	Front Derailleur	Shimano Dura-Ace Di2, braze-on
Hubs	(F) HollowGram KNØT, sealed bearing 12x100 centerlock / (R) HollowGram KNØT, 12x142 centerlock w/ DT Swiss internals	Rear Derailleur	Shimano Dura-Ace Di2
Spokes	DT Swiss Aerolite	Shifters	Shimano Dura-Ace hydro disc, 2x11
Tires	Vittoria Corsa, 700 x 25c	Handlebar	HollowGram SystemBar SAVE, Carbon, 8 deg. pitch adjust
Pedals	Not Included	Grips	Cannondale Grip Bar Tape w/Gel, 3.5mm
Crank	HollowGram SiSL2 w/ pre-installed power2max NG Eco Power Meter (not activated), BB30a, Vision rings, 52/36	Stem	All-New HollowGram KNØT, alloy w/ cable cover, -6°
Bottom Bracket	Cannondale Alloy PressFit30	Headset	SuperSix, 1-1/4" lower bearing, 25mm top cap
		Brakes	Shimano Dura Ace Di2 hydro disc, 160/140mm RT900 rotors
		Brake Levers	Shimano Dura-Ace hydro disc
		Saddle	Prologo Dimension Nack NDR, 143mm width, carbon rails
		Seatpost	All-New HollowGram 27 SL KNØT, carbon, 2 bolt clamp, 330mm
		Connectivity	Wheel Sensor
		Sizes	44, 48, 51, 54, 56, 58, 60, 62
		Color 1	Black (BLK)

SuperSix EVO Hi-MOD Disc Dura Ace



C11350M

Frame	All-New, BallisTec Hi-MOD Carbon, integrated cable routing w/ Switchplate, 142x12 Speed Release thru-axle, SAVE, PF30a, flat mount disc, integrated seat binder	Chain	Shimano HG701, 11-speed
Fork	All-New, BallisTec Hi-MOD Carbon, SAVE, 1-1/8" to 1-1/4" steerer, integrated crown race, 12x100mm Speed Release thru-axle, flat mount disc, internal routing, 55mm offset (47-54cm) 45mm offset (56-62cm)	Rear Cogs	Shimano Ultegra, 11-30, 11-speed
Rims	HollowGram 45 KNØT, Carbon, 20h front, 24h rear, 45mm deep, 21mm ID, tubeless ready	Front Derailleur	Shimano Dura-Ace, braze-on
Hubs	(F) HollowGram KNØT, sealed bearing 12x100 centerlock / (R) HollowGram KNØT, 12x142 centerlock w/ DT Swiss internals	Rear Derailleur	Shimano Dura-Ace
Spokes	Formula Grand Forza	Shifters	Shimano Dura-Ace hydro disc, 2x11
Tires	Vittoria Rubino Pro Bright Black, 700 x 25c	Handlebar	HollowGram SystemBar SAVE, Carbon, 8 deg. pitch adjust
Pedals	Not Included	Grips	Cannondale Grip Bar Tape w/Gel, 3.5mm
Crank	HollowGram w/ pre-installed power2max NG Eco Power Meter (not activated), BB30a, FSA rings, 52/36	Stem	All-New HollowGram KNØT, alloy w/ cable cover, -6°
Bottom Bracket	Cannondale Alloy PressFit30	Headset	SuperSix, 1-1/4" lower bearing, 25mm top cap
		Brakes	Shimano Dura Ace hydro disc, 160/140mm RT800 rotors
		Brake Levers	Shimano Dura-Ace hydro disc
		Saddle	Prologo Dimension NDR, 143mm width, Tirox rails
		Seatpost	All-New HollowGram 27 SL KNØT, carbon, 2 bolt clamp, 330mm
		Connectivity	Wheel Sensor
		Sizes	44, 48, 51, 54, 56, 58, 60, 62
		Color 1	Agave (AGV)

SuperSix EVO Hi-MOD Disc Ultegra Di2



C11250M

Frame	All-New, BallisTec Hi-MOD Carbon, integrated cable routing w/ Switchplate, 142x12 Speed Release thru-axle, SAVE, PF30a, flat mount disc, integrated seat binder	Chain	Shimano HG701, 11-speed
Fork	All-New, BallisTec Hi-MOD Carbon, SAVE, 1-1/8" to 1-1/4" steerer, integrated crown race, 12x100mm Speed Release thru-axle, flat mount disc, internal routing, 55mm offset (47-54cm) 45mm offset (56-62cm)	Rear Cogs	Shimano 105, 11-30, 11-speed
Rims	HollowGram 45 SL KNØT, Carbon, 20h front, 24h rear, 45mm deep, 21mm ID, tubeless ready	Front Derailleur	Shimano Ultegra Di2, braze-on
Hubs	(F) HollowGram KNØT, sealed bearing 12x100 centerlock / (R) HollowGram KNØT, 12x142 centerlock w/ DT Swiss internals	Rear Derailleur	Shimano Ultegra Di2
Spokes	DT Swiss Aerolite	Shifters	Shimano Ultegra Di2 hydro disc, 2x11
Tires	Vittoria Corsa, 700 x 25c	Handlebar	HollowGram SystemBar SAVE, Carbon, 8 deg. pitch adjust
Pedals	Not Included	Grips	Cannondale Grip Bar Tape w/Gel, 3.5mm
Crank	HollowGram w/ pre-installed power2max NG Eco Power Meter (not activated), BB30a, FSA rings, 52/36	Stem	All-New HollowGram KNØT, alloy w/ cable cover, -6°
Bottom Bracket	Cannondale Alloy PressFit30	Headset	SuperSix, 1-1/4" lower bearing, 25mm top cap
		Brakes	Shimano Ultegra Di2 hydro disc, 160/140mm RT70 rotors
		Brake Levers	Shimano Ultegra Di2 hydro disc
		Saddle	Prologo Dimension NDR, 143mm width, Tirox rails
		Seatpost	All-New HollowGram 27 SL KNØT, carbon, 2 bolt clamp, 330mm
		Connectivity	Wheel Sensor
		Sizes	44, 48, 51, 54, 56, 58, 60, 62
		Color 1	Carbon (CRB)

SuperSix EVO Hi-MOD Disc Ultegra



C11370M

Frame	All-New, BallisTec Hi-MOD Carbon, integrated cable routing w/ Switchplate, 142x12 Speed Release thru-axle, SAVE, PF30a, flat mount disc, integrated seat binder	Chain	Shimano HG601, 11-speed
Fork	All-New, BallisTec Hi-MOD Carbon, SAVE, 1-1/8" to 1-1/4" steerer, integrated crown race, 12x100mm Speed Release thru-axle, flat mount disc, internal routing, 55mm offset (47-54cm) 45mm offset (56-62cm)	Rear Cogs	Shimano Ultegra, 11-32, 11-speed
Rims	HollowGram 35 KNØT, Carbon, 20h front, 24h rear, 45mm deep, 21mm ID, tubeless ready	Front Derailleur	Shimano Ultegra, braze-on
Hubs	(F) HollowGram KNØT, sealed bearing 12x100 centerlock / (R) HollowGram KNØT, 12x142 centerlock w/ DT Swiss internals	Rear Derailleur	Shimano Ultegra
Spokes	DT Swiss Aerolite	Shifters	Shimano Ultegra hydro disc, 2x11
Tires	Vittoria Rubino Pro Bright Black, 700 x 25c	Handlebar	HollowGram SystemBar SAVE, Carbon, 8 deg. pitch adjust
Pedals	Not Included	Grips	Cannondale Grip Bar Tape w/Gel, 3.5mm
Crank	HollowGram Si, BB30a, OPI SpideRing, 50/34	Stem	All-New HollowGram KNØT, alloy w/ cable cover, -6°
Bottom Bracket	Cannondale Alloy PressFit30	Headset	SuperSix, 1-1/4" lower bearing, 25mm top cap
		Brakes	Shimano Ultegra hydro disc, 160mm RT54 rotors
		Brake Levers	Shimano Ultegra hydro disc
		Saddle	Prologo Nago RS STN
		Seatpost	All-New HollowGram 27 SL KNØT, carbon, 2 bolt clamp, 330mm
		Connectivity	Wheel Sensor
		Sizes	44, 48, 51, 54, 56, 58, 60, 62
		Color 1	Team Replica (REP)

RENDERING

SuperSix EVO Carbon Disc Force eTap AXS



C11450M

Frame	All-New, BallisTec Carbon, integrated cable routing w/ Switchplate, 142x12 Speed Release thru-axle, SAVE, PF30a, flat mount disc, integrated seat binder	Rear Cogs	SRAM XG-1270, 10-33, 12-speed
Fork	All-New, BallisTec Carbon, SAVE, 1-1/8" to 1-1/4" steerer, integrated crown race, 12x100mm Speed Release thru-axle, flat mount disc, internal routing, 55mm offset (47-54cm) 45mm offset (56-62cm)	Front Derailleur	SRAM Force eTap AXS, braze-on
Rims	HollowGram Si, Carbon Clincher Disc, 19mm inner, 35mm deep, tubeless ready	Rear Derailleur	SRAM Force eTap AXS
Hubs	(F) Cannondale HollowGram Sealed Bearing, straight pull, 12x100 / (R) Cannondale HollowGram Sealed Bearing, straight pull, 12x142	Shifters	SRAM Force eTap AXS HRD, 2x12
Spokes	Formula Grand Forza	Handlebar	HollowGram SystemBar SAVE, Carbon, 8 deg. pitch adjust
Tires	Vittoria Rubino Pro Bright Black, 700 x 25c	Grips	Cannondale Grip Bar Tape w/Gel, 3.5mm
Pedals	Not Included	Stem	All-New HollowGram KNØT, alloy w/ cable cover, -6°
Crank	SRAM Force eTap AXS, 48/35	Headset	SuperSix, 1-1/4" lower bearing, 25mm top cap
Bottom Bracket	SRAM PF30	Brakes	SRAM Force eTap AXS, 160/160mm Centerlock rotors
Chain	SRAM Force eTap AXS, 12-speed	Brake Levers	SRAM Force eTap AXS
		Saddle	Prologo Dimension STN NDR, steel rails
		Seatpost	All-New HollowGram 27 SL KNØT, carbon, 2 bolt clamp, 330mm
		Connectivity	Wheel Sensor
		Sizes	44, 48, 51, 54, 56, 58, 60, 62
		Color 1	Cashmere (CAS)

SuperSix EVO Carbon Disc Ultegra



C11570M

Frame	All-New, BallisTec Carbon, integrated cable routing w/ Switchplate, 142x12 Speed Release thru-axle, SAVE, PF30a, flat mount disc, integrated seat binder	Rear Cogs	Shimano 105, 11-32, 11-speed
Fork	All-New, BallisTec Carbon, SAVE, 1-1/8" to 1-1/4" steerer, integrated crown race, 12x100mm Speed Release thru-axle, flat mount disc, internal routing, 55mm offset (47-54cm) 45mm offset (56-62cm)	Front Derailleur	Shimano Ultegra, braze-on
Rims	HollowGram Si, Carbon Clincher Disc, 19mm inner, 35mm deep, tubeless ready	Rear Derailleur	Shimano Ultegra GS
Hubs	(F) HollowGram Sealed Bearing, straight pull, 12x100 / (R) HollowGram Sealed Bearing, straight pull, 12x142	Shifters	Shimano Ultegra hydro disc, 2x11
Spokes	Formula Grand Forza	Handlebar	Cannondale 2, 7050 Alloy, Compact
Tires	Vittoria Rubino Pro Bright Black, 700 x 25c	Grips	Cannondale Grip Bar Tape w/Gel, 3.5mm
Pedals	Not Included	Stem	Cannondale 2, 6061 Alloy, 31.8, 7°
Crank	Cannondale 1, BB30a, FSA rings, 52/36	Headset	SuperSix, 1-1/4" lower bearing, 25mm top cap
Bottom Bracket	Cannondale Alloy PressFit30	Brakes	Shimano Ultegra hydro disc, 160/160mm RT54 rotors
Chain	Shimano HG601, 11-speed	Brake Levers	Shimano Ultegra hydro disc
		Saddle	Prologo Nago RS STN
		Seatpost	All-New HollowGram 27 KNØT, Alloy, 2 bolt clamp, 330mm
		Connectivity	Wheel Sensor
		Sizes	44, 48, 51, 54, 56, 58, 60, 62
		Color 1	BBQ (BBQ)

SuperSix EVO Carbon Disc Ultegra



C11550M

Frame	All-New, BallisTec Carbon, integrated cable routing w/ Switchplate, 142x12 Speed Release thru-axle, SAVE, PF30a, flat mount disc, integrated seat binder	Rear Cogs	Shimano 105, 11-32, 11-speed
Fork	All-New, BallisTec Carbon, SAVE, 1-1/8" to 1-1/4" steerer, integrated crown race, 12x100mm Speed Release thru-axle, flat mount disc, internal routing, 55mm offset (47-54cm) 45mm offset (56-62cm)	Front Derailleur	Shimano Ultegra, braze-on
Rims	HollowGram Si, Carbon Clincher Disc, 19mm inner, 35mm deep, tubeless ready	Rear Derailleur	Shimano Ultegra GS
Hubs	(F) HollowGram Sealed Bearing, straight pull, 12x100 / (R) HollowGram Sealed Bearing, straight pull, 12x142	Shifters	Shimano Ultegra hydro disc, 2x11
Spokes	Formula Grand Forza	Handlebar	Cannondale 2, 7050 Alloy, Compact
Tires	Vittoria Rubino Pro Bright Black, 700 x 25c	Grips	Cannondale Grip Bar Tape w/Gel, 3.5mm
Pedals	Not Included	Stem	Cannondale 2, 6061 Alloy, 31.8, 7°
Crank	Cannondale 1, BB30a, FSA rings, 52/36	Headset	SuperSix, 1-1/4" lower bearing, 25mm top cap
Bottom Bracket	Cannondale Alloy PressFit30	Brakes	Shimano Ultegra hydro disc, 160/160mm RT54 rotors
Chain	Shimano HG601, 11-speed	Brake Levers	Shimano Ultegra hydro disc
		Saddle	Prologo Nago RS STN
		Seatpost	All-New HollowGram 27 KNØT, Alloy, 2 bolt clamp, 330mm
		Connectivity	Wheel Sensor
		Sizes	44, 48, 51, 54, 56, 58, 60, 62
		Color 1	BBQ (BBQ)
		Color 2	Goldfinger (GDF)

SuperSix EVO Carbon Ultegra 2



C11600M

Frame	All-New, BallisTec Carbon, direct mount rim brake, integrated cable routing w/ Switchplate, 130x9mm QR, SAVE, PF30a, integrated seat binder	Front Derailleur	Shimano Ultegra, braze-on
Fork	All-New, BallisTec Carbon, direct mount rim brake, SAVE, 1-1/8" to 1-1/4" steerer, integrated crown race, 100x9mm QR, 55mm offset (47-54cm) 45mm offset (56-62cm)	Rear Derailleur	Shimano Ultegra GS
Rims	Fulcrum Racing 500	Shifters	Shimano Ultegra, 2x11
Hubs	(F) Fulcrum Racing 500 / (R) Fulcrum Racing 500	Handlebar	Cannondale 3, 6061 alloy, Compact
Spokes	Fulcrum, Stainless steel	Grips	Cannondale Grip Bar Tape w/Gel, 3.5mm
Tires	Vittoria Zaffiro Pro Slick, 700 x 25c	Stem	Cannondale 3, 6061 alloy, 7-degree
Pedals	Not Included	Headset	SuperSix, 1-1/4" lower bearing, 25mm top cap
Crank	Cannondale 1, BB30a, FSA rings, 52/36	Brakes	Shimano Ultegra
Bottom Bracket	Cannondale Alloy PressFit30	Brake Levers	Shimano Ultegra
Chain	Shimano HG601, 11-speed	Saddle	Prologo Nago RS STN
Rear Cogs	Shimano 105, 11-30, 11-speed	Seatpost	All-New HollowGram 27 KNØT, Alloy, 2 bolt clamp, 330mm
		Sizes	44, 48, 51, 54, 56, 58, 60, 62
		Color 1	Black Pearl (BPL)
		Color 2	Acid Red (ARD)

SuperSix EVO Carbon Disc 105



C11650M

Frame	All-New, BallisTec Carbon, integrated cable routing w/ Switchplate, 142x12 Speed Release thru-axle, SAVE, PF30a, flat mount disc, integrated seat binder	Front Derailleur	Shimano 105, braze-on
Fork	All-New, BallisTec Carbon, SAVE, 1-1/8" to 1-1/4" steerer, integrated crown race, 12x100mm Speed Release thru-axle, flat mount disc, internal routing, 55mm offset (47-54cm) 45mm offset (56-62cm)	Rear Derailleur	Shimano 105 GS
Rims	Fulcrum Racing 900 DB	Shifters	Shimano 105 hydro disc, 2x11
Hubs	(F) Fulcrum Racing 900 DB, 12x100 / (R) Fulcrum Racing 900 DB, 12x142	Handlebar	Cannondale 3, 6061 alloy, Compact
Spokes	Fulcrum, Stainless steel	Grips	Cannondale Grip Bar Tape w/Gel, 3.5mm
Tires	Vittoria Zaffiro Pro Slick, 700 x 25c	Stem	Cannondale 3, 6061 alloy, 7-degree
Pedals	Not Included	Headset	SuperSix, 1-1/4" lower bearing, 25mm top cap
Crank	Cannondale 1, BB30a, FSA rings, 52/36	Brakes	Shimano 105 hydro disc, 160/160mm RT54 rotors
Bottom Bracket	Cannondale Alloy PressFit30	Brake Levers	Shimano 105 hydro disc
Chain	Shimano HG601, 11-speed	Saddle	Prologo Nago RS STN
Rear Cogs	Shimano 105, 11-30, 11-speed	Seatpost	All-New HollowGram 27 KNØT, Alloy, 2 bolt clamp, 330mm
		Sizes	44, 48, 51, 54, 56, 58, 60, 62
		Color 1	Black Pearl (BPL)
		Color 2	Acid Red (ARD)

SuperSix EVO Carbon 105



C11750M

Frame	All-New, BallisTec Carbon, direct mount rim brake, integrated cable routing w/ Switchplate, 130x9mm QR, SAVE, PF30a, integrated seat binder	Front Derailleur	Shimano 105, braze-on
Fork	All-New, BallisTec Carbon, direct mount rim brake, SAVE, 1-1/8" to 1-1/4" steerer, integrated crown race, 100x9mm QR, 55mm offset (47-54cm) 45mm offset (56-62cm)	Rear Derailleur	Shimano 105 GS
Rims	Fulcrum Racing 900	Shifters	Shimano 105, 2x11
Hubs	(F) Fulcrum Racing 900 / (R) Fulcrum Racing 900	Handlebar	Cannondale 3, 6061 alloy, Compact
Spokes	Fulcrum, Stainless steel	Grips	Cannondale Grip Bar Tape w/Gel, 3.5mm
Tires	Vittoria Zaffiro Pro Slick, 700 x 25c	Stem	Cannondale 3, 6061 alloy, 7-degree
Pedals	Not Included	Headset	SuperSix, 1-1/4" lower bearing, 25mm top cap
Crank	Cannondale 1, BB30a, FSA rings, 52/36	Brakes	Shimano 105
Bottom Bracket	Cannondale Alloy PressFit30	Brake Levers	Shimano 105
Chain	Shimano HG601, 11-speed	Saddle	Prologo Nago RS STN
Rear Cogs	Shimano 105, 11-30, 11-speed	Seatpost	All-New HollowGram 27 KNØT, Alloy, 2 bolt clamp, 330mm
		Sizes	44, 48, 51, 54, 56, 58, 60, 62
		Color 1	BBQ (BBQ)
		Color 2	Emerald (EMR)

SuperSix EVO Carbon Disc 105



C11660M

Frame	All-New, BallisTec Carbon, integrated cable routing w/ Switchplate, 142x12 Speed Release thru-axle, SAVE, PF30a, flat mount disc, integrated seat binder	Front Derailleur	Shimano 105, braze-on
Fork	All-New, BallisTec Carbon, SAVE, 1-1/8" to 1-1/4" steerer, integrated crown race, 12x100mm Speed Release thru-axle, flat mount disc, internal routing, 55mm offset (47-54cm) 45mm offset (56-62cm)	Rear Derailleur	Shimano 105 GS
Rims	Fulcrum Racing 900 DB	Shifters	Shimano 105 hydro disc, 2x11
Hubs	(F) Fulcrum Racing 900 DB, 12x100 / (R) Fulcrum Racing 900 DB, 12x142	Handlebar	Cannondale 3, 6061 alloy, Compact
Spokes	Fulcrum, Stainless steel	Grips	Cannondale Grip Bar Tape w/Gel, 3.5mm
Tires	Vittoria Zaffiro Pro Slick, 700 x 25c	Stem	Cannondale 3, 6061 alloy, 7-degree
Pedals	Not Included	Headset	SuperSix, 1-1/4" lower bearing, 25mm top cap
Crank	Cannondale 1, BB30a, FSA rings, 52/36	Brakes	Shimano 105 hydro disc, 160/160mm RT54 rotors
Bottom Bracket	Cannondale Alloy PressFit30	Brake Levers	Shimano 105 hydro disc
Chain	Shimano HG601, 11-speed	Saddle	Prologo Nago RS STN
Rear Cogs	Shimano 105, 11-30, 11-speed	Seatpost	All-New HollowGram 27 KNØT, Alloy, 2 bolt clamp, 330mm
		Sizes	44, 48, 51, 54, 56, 58, 60, 62
		Color 1	Black Pearl (BPL)
		Color 2	Acid Red (ARD)

SuperSix EVO Carbon 105



C11760M

Frame	All-New, BallisTec Carbon, direct mount rim brake, integrated cable routing w/ Switchplate, 130x9mm QR, SAVE, PF30a, integrated seat binder	Rear Cogs	Shimano 105, 11-30, 11-speed
Fork	All-New, BallisTec Carbon, direct mount rim brake, SAVE, 1-1/8" to 1-1/4" steerer, integrated crown race, 100x9mm QR, 55mm offset (47-54cm) 45mm offset (56-62cm)	Front Derailleur	Shimano 105, braze-on
Rims	Fulcrum Racing 900	Rear Derailleur	Shimano 105 GS
Hubs	(F) Fulcrum Racing 900 / (R) Fulcrum Racing 900	Shifters	Shimano 105, 2x11
Spokes	Fulcrum, Stainless steel	Handlebar	Cannondale 3, 6061 alloy, Compact
Tires	Vittoria Zaffiro Pro Slick, 700 x 25c	Grips	Cannondale Grip Bar Tape w/Gel, 3.5mm
Pedals	Not Included	Stem	Cannondale 3, 6061 alloy, 7-degree
Crank	Cannondale 1, BB30a, FSA rings, 52/36	Headset	SuperSix, 1-1/4" lower bearing, 25mm top cap
Bottom Bracket	Cannondale Alloy PressFit30	Brakes	Shimano 105
Chain	Shimano HG601, 11-speed	Brake Levers	Shimano 105
		Saddle	Prologo Nago RS STN
		Seatpost	All-New HollowGram 27 KNØT, Alloy, 2 bolt clamp, 330mm
		Sizes	44, 48, 51, 54, 56, 58, 60, 62
		Color 1	BBQ (BBQ)

SuperSix EVO Carbon Disc Women's Ultegra Di2



C11350F

Frame	All-New, BallisTec Carbon, integrated cable routing w/ Switchplate, 142x12 Speed Release thru-axle, SAVE, PF30a, flat mount disc, integrated seat binder	Chain	Shimano HG701, 11-speed
Fork	All-New BallisTec Carbon, SAVE, 1-1/8" to 1-1/4" steerer, integrated crown race, 12x100mm Speed Release thru-axle, flat mount disc, internal routing, 55mm offset	Rear Cogs	Shimano 105, 11-32, 11-speed
Rims	HollowGram 45 SL KNØT, Carbon, 20h front, 24h rear, 45mm deep, 21mm ID, tubeless ready	Front Derailleur	Shimano Ultegra Di2, braze-on
Hubs	(F) HollowGram KNØT, sealed bearing 12x100 centerlock / (R) HollowGram KNØT, 12x142 centerlock w/ DT Swiss internals	Rear Derailleur	Shimano Ultegra Di2 GS
Spokes	DT Swiss Aerolite	Shifters	Shimano Ultegra Di2 hydro disc, 2x11
Tires	Vittoria Corsa, 700 x 25c	Handlebar	HollowGram SystemBar SAVE, Carbon, 8 deg. pitch adjust
Pedals	Not Included	Grips	Prologo One Touch
Crank	HollowGram w/ pre-installed power2max NG Eco Power Meter (not activated), BB30a, FSA rings, 52/36	Stem	All-New HollowGram KNØT, alloy w/ cable cover, -6°
Bottom Bracket	Cannondale Alloy PressFit30	Headset	SuperSix, 1-1/4" lower bearing, 25mm top cap
		Brakes	Shimano Ultegra Di2 hydro disc, 160/140mm RT70 rotors
		Brake Levers	Shimano Ultegra Di2 hydro disc
		Saddle	Prologo Dimension Space, Tirox rails
		Seatpost	All-New HollowGram 27 SL KNØT, carbon, 2 bolt clamp, 330mm
		Connectivity	Wheel Sensor
		Sizes	44, 48, 51, 54
		Color 1	Black Pearl (BPL)

SuperSix EVO Carbon Disc Women's Ultegra



C11560F

Frame	All-New, BallisTec Carbon, integrated cable routing w/ Switchplate, 142x12 Speed Release thru-axle, SAVE, PF30a, flat mount disc, integrated seat binder	Rear Cogs	Shimano 105, 11-32, 11-speed
Fork	All-New BallisTec Carbon, SAVE, 1-1/8" to 1-1/4" steerer, integrated crown race, 12x100mm Speed Release thru-axle, flat mount disc, internal routing, 55mm offset	Front Derailleur	Shimano Ultegra, braze-on
Rims	HollowGram 35, Carbon Clincher Disc, 19mm inner, 35mm deep, tubeless ready	Rear Derailleur	Shimano Ultegra GS
Hubs	(F) Cannondale HollowGram Sealed Bearing, straight pull, 12x100 / (R) Cannondale HollowGram Sealed Bearing, straight pull, 12x142	Shifters	Shimano Ultegra hydro disc, 2x11
Spokes	Formula Grand Forza	Handlebar	Cannondale 2, 7050 Alloy, Compact
Tires	Vittoria Rubino Pro Bright Black, 700 x 25c	Grips	Cannondale Grip Bar Tape w/Gel, 3.5mm
Pedals	Not Included	Stem	Cannondale 2, 6061 Alloy, 31.8, 7°
Crank	Cannondale 1, BB30a, FSA rings, 52/36	Headset	SuperSix, 1-1/4" lower bearing, 25mm top cap
Bottom Bracket	Cannondale Alloy PressFit30	Brakes	Shimano Ultegra hydro disc, 160/160mm RT54 rotors
Chain	Shimano HG601, 11-speed	Brake Levers	Shimano Ultegra hydro disc
		Saddle	Prologo Kappa Dea RS
		Seatpost	All-New HollowGram 27 KNØT, Alloy, 2 bolt clamp, 330mm
		Connectivity	Wheel Sensor
		Sizes	44, 48, 51, 54
		Color 1	Champagne (CHP)

SuperSix EVO Carbon Disc Women's Ultegra



C11550F

Frame	All-New, BallisTec Carbon, integrated cable routing w/ Switchplate, 142x12 Speed Release thru-axle, SAVE, PF30a, flat mount disc, integrated seat binder	Rear Cogs	Shimano 105, 11-32, 11-speed
Fork	All-New BallisTec Carbon, SAVE, 1-1/8" to 1-1/4" steerer, integrated crown race, 12x100mm Speed Release thru-axle, flat mount disc, internal routing, 55mm offset	Front Derailleur	Shimano Ultegra, braze-on
Rims	HollowGram 35, Carbon Clincher Disc, 19mm inner, 35mm deep, tubeless ready	Rear Derailleur	Shimano Ultegra GS
Hubs	(F) Cannondale HollowGram Sealed Bearing, straight pull, 12x100 / (R) Cannondale HollowGram Sealed Bearing, straight pull, 12x142	Shifters	Shimano Ultegra hydro disc, 2x11
Spokes	Formula Grand Forza	Handlebar	Cannondale 2, 7050 Alloy, Compact
Tires	Vittoria Rubino Pro Bright Black, 700 x 25c	Grips	Cannondale Grip Bar Tape w/Gel, 3.5mm
Pedals	Not Included	Stem	Cannondale 2, 6061 Alloy, 31.8, 7°
Crank	Cannondale 1, BB30a, FSA rings, 52/36	Headset	SuperSix, 1-1/4" lower bearing, 25mm top cap
Bottom Bracket	Cannondale Alloy PressFit30	Brakes	Shimano Ultegra hydro disc, 160/160mm RT54 rotors
Chain	Shimano HG601, 11-speed	Brake Levers	Shimano Ultegra hydro disc
		Saddle	Prologo Kappa Dea RS
		Seatpost	All-New HollowGram 27 KNØT, Alloy, 2 bolt clamp, 330mm
		Connectivity	Wheel Sensor
		Sizes	44, 48, 51, 54
		Color 1	Champagne (CHP)

SuperSix EVO Carbon Disc Women's 105



C11650F

Frame	All-New, BallisTec Carbon, integrated cable routing w/ Switchplate, 142x12 Speed Release thru-axle, SAVE, PF30a, flat mount disc, integrated seat binder	Rear Cogs	Shimano 105, 11-30, 11-speed
Fork	All-New BallisTec Carbon, SAVE, 1-1/8" to 1-1/4" steerer, integrated crown race, 12x100mm Speed Release thru-axle, flat mount disc, internal routing, 55mm offset	Front Derailleur	Shimano 105, braze-on
Rims	Fulcrum Racing 900 DB	Rear Derailleur	Shimano 105 GS
Hubs	(F) Fulcrum Racing 900 DB, 12x100 / (R) Fulcrum Racing 900 DB, 12x142	Shifters	Shimano 105 hydro disc, 2x11
Spokes	Fulcrum, Stainless steel	Handlebar	Cannondale 3, 6061 alloy, Compact
Tires	Vittoria Zaffiro Pro Slick, 700 x 25c	Grips	Cannondale Grip Bar Tape w/Gel, 3.5mm
Pedals	Not Included	Stem	Cannondale 3, 6061 alloy, 7-degree
Crank	Cannondale 1, BB30a, FSA rings, 50/34	Headset	SuperSix, 1-1/4" lower bearing, 25mm top cap
Bottom Bracket	Cannondale Alloy PressFit30	Brakes	Shimano 105 hydro disc, 160/160mm RT54 rotors
Chain	Shimano HG601, 11-speed	Brake Levers	Shimano 105 hydro disc
		Saddle	Prologo Kappa Dea RS
		Seatpost	All-New HollowGram 27 KNØT, Alloy, 2 bolt clamp, 330mm
		Sizes	44, 48, 51, 54
		Color 1	Emerald (EMR)

SuperSix EVO Carbon Disc Women's 105



C11660F

Frame	All-New, BallisTec Carbon, integrated cable routing w/ Switchplate, 142x12 Speed Release thru-axle, SAVE, PF30a, flat mount disc, integrated seat binder	Rear Cogs	Shimano 105, 11-30, 11-speed
Fork	All-New BallisTec Carbon, SAVE, 1-1/8" to 1-1/4" steerer, integrated crown race, 12x100mm Speed Release thru-axle, flat mount disc, internal routing, 55mm offset	Front Derailleur	Shimano 105, braze-on
Rims	Fulcrum Racing 900 DB	Rear Derailleur	Shimano 105 GS
Hubs	(F) Fulcrum Racing 900 DB, 12x100 / (R) Fulcrum Racing 900 DB, 12x142	Shifters	Shimano 105 hydro disc, 2x11
Spokes	Fulcrum, Stainless steel	Handlebar	Cannondale 3, 6061 alloy, Compact
Tires	Vittoria Zaffiro Pro Slick, 700 x 25c	Grips	Cannondale Grip Bar Tape w/Gel, 3.5mm
Pedals	Not Included	Stem	Cannondale 3, 6061 alloy, 7-degree
Crank	Cannondale 1, BB30a, FSA rings, 50/34	Headset	SuperSix, 1-1/4" lower bearing, 25mm top cap
Bottom Bracket	Cannondale Alloy PressFit30	Brakes	Shimano 105 hydro disc, 160/160mm RT54 rotors
Chain	Shimano HG601, 11-speed	Brake Levers	Shimano 105 hydro disc
		Saddle	Prologo Kappa Dea RS
		Seatpost	All-New HollowGram 27 KNØT, Alloy, 2 bolt clamp, 330mm
		Sizes	44, 48, 51, 54
		Color 1	Emerald (EMR)

SuperSix EVO Carbon Women's 105



C11750F

Frame	All-New, BallisTec Carbon, direct mount rim brake, integrated cable routing w/ Switchplate, 130x9mm QR, SAVE, PF30a, integrated seat binder	Front Derailleur	Shimano 105, braze-on
Fork	All-New, BallisTec Carbon, direct mount rim brake, SAVE, 1-1/8" to 1-1/4" steerer, integrated crown race, 100x9mm QR, 55mm offset	Rear Derailleur	Shimano 105 GS
Rims	Fulcrum Racing 900	Shifters	Shimano 105, 2x11
Hubs	(F) Fulcrum Racing 900 / (R) Fulcrum Racing 900	Handlebar	Cannondale 3, 6061 alloy, Compact
Spokes	Fulcrum, Stainless steel	Grips	Cannondale Grip Bar Tape w/Gel, 3.5mm
Tires	Vittoria Zaffiro, 700 x 25c	Stem	Cannondale 3, 6061 alloy, 7-degree
Pedals	Not Included	Headset	SuperSix, 1-1/4" lower bearing, 25mm top cap
Crank	Cannondale 1, BB30a, FSA rings, 50/34	Brakes	Shimano 105
Bottom Bracket	Cannondale Alloy PressFit30	Brake Levers	Shimano 105
Chain	Shimano HG601, 11-speed	Saddle	Prologo Kappa Dea RS
Rear Cogs	Shimano 105, 11-30, 11-speed	Seatpost	All-New HollowGram 27 KNØT, Alloy, 2 bolt clamp, 330mm
		Sizes	44, 48, 51, 54
		Color 1	Black (BLK)

Make Your Own Luck



This is the speediest, smoothest, best handling, finest performing aluminum race bike on the planet.

Key Benefits

▫ Your Lucky Number

CAAD13 is the ultimate alloy race machine. With exceptional efficiency and superb handling, it out-performs most carbon — at an aluminum price. Fitting, since aluminum's atomic number is 13.

▫ Decreased Drag

With every new CAAD we design, speed increases. The same can't be said for weight. Drag-reducing tube shapes and sleek integration keeps the CAAD13 light but make it much, much faster.

▫ Smooth by Design

Dropped rear stay configuration and ample room for bigger tires delivers the best possible blend of stiff efficiency and unbeatable comfort in an alloy road racer.

Category

Road | Race

Sizes

Women's:
44, 48, 50, 52, 54

Men's:
48, 50, 52, 54, 56,
58, 60, 63cm

Wheel / Tire Size

700 x25c

CAAD13 Disc Force eTap AXS



C13100M

Frame	All-New, SmartForm C1 Premium Alloy, integrated cable routing w/ Switchplate, SAVE, BB30a, 142x12 Speed Release thru-axle, Di2 Ready, flat-mount disc	Rear Cogs	SRAM XG-1270, 10-33, 12-speed
Fork	All-New, BallisTec Carbon, SAVE, 1-1/8" to 1-1/4" steerer, integrated crown race, 12x100mm Speed Release thru-axle, flat mount disc, internal routing, 55mm offset (47-54cm) 45mm offset (56-62cm)	Front Derailleur	SRAM Force eTap AXS, braze-on
Rims	HollowGram 45 KNØT, Carbon, 20h front, 24h rear, 45mm deep, 21mm ID, tubeless ready	Rear Derailleur	SRAM Force eTap AXS
Hubs	(F) HollowGram KNØT, sealed bearing 12x100 centerlock / (R) HollowGram KNØT, 12x142 centerlock w/ DT Swiss internals	Shifters	SRAM Force eTap AXS HRD, 2x12
Spokes	Formula Grand Forza	Handlebar	HollowGram SAVE Carbon, 400mm (S), 420mm (M-L)
Tires	Vittoria Rubino Pro Bright Black, 700 x 28c	Grips	Cannondale Grip Bar Tape w/Gel, 3.5mm
Pedals	Not Included	Stem	All-New HollowGram SAVE, alloy, -6°
Crank	SRAM Force eTap AXS	Headset	CAAD13, 1-1/4" lower bearing, 25mm Alloy top cap
Bottom Bracket	SRAM BB30	Brakes	SRAM Force eTap AXS, 160/160mm Centerlock rotors
Chain	SRAM Force eTap AXS	Brake Levers	SRAM Force eTap AXS
		Saddle	Prologo Nago RS STN
		Seatpost	All-New HollowGram 27 SL KNØT, carbon, 2 bolt clamp, 330mm
		Connectivity	Wheel Sensor
		Sizes	48, 51, 54, 56, 58, 60, 62
		Color 1	Champagne (CHP)

CAAD13 Ultegra



C13260M

Frame	All-New, SmartForm C1 Premium Alloy, direct mount rim brake, integrated cable routing w/ Switchplate, SAVE, BB30a, 130x9mm QR, Di2 Ready	Front Derailleur	Shimano Ultegra, braze-on
Fork	All-New, BallisTec Carbon, direct mount rim brake, SAVE, 1-1/8" to 1-1/4" steerer, integrated crown race, 100x9mm QR, 55mm offset (47-54cm) 45mm offset (56-62cm)	Rear Derailleur	Shimano Ultegra GS
Rims	Fulcrum Racing 600, alloy, 26mm deep	Shifters	Shimano Ultegra, 2x11
Hubs	(F) Fulcrum Racing 600 / (R) Fulcrum Racing 600	Handlebar	Cannondale 3, 6061 alloy, Compact
Spokes	Fulcrum, Stainless steel	Grips	Cannondale Grip Bar Tape w/Gel, 3.5mm
Tires	Vittoria Rubino Pro Bright Black, 700 x 28c	Stem	Cannondale 3, 6061 alloy, 31.8, 7°
Pedals	Not Included	Headset	CAAD13, 1-1/4" lower bearing, 25mm Alloy top cap
Crank	Cannondale 1, BB30a, FSA rings, 52/36	Brakes	Shimano Ultegra
Bottom Bracket	Cannondale BB30	Brake Levers	Shimano Ultegra
Chain	Shimano HG601, 11-speed	Saddle	Prologo Nago RS STN
Rear Cogs	Shimano 105, 11-30, 11-speed	Seatpost	All-New HollowGram 27 KNØT, Alloy, 2 bolt clamp, 330mm
		Sizes	44, 48, 51, 54, 56, 58, 60, 62
		Color 1	BBQ (BBQ)
		Color 2	Nuclear Yellow (NYW)

CAAD13 Ultegra



C13200M

Frame	All-New, SmartForm C1 Premium Alloy, direct mount rim brake, integrated cable routing w/ Switchplate, SAVE, BB30a, 130x9mm QR, Di2 Ready	Front Derailleur	Shimano Ultegra, braze-on
Fork	All-New, BallisTec Carbon, direct mount rim brake, SAVE, 1-1/8" to 1-1/4" steerer, integrated crown race, 100x9mm QR, 55mm offset (47-54cm) 45mm offset (56-62cm)	Rear Derailleur	Shimano Ultegra GS
Rims	Fulcrum Racing 600, alloy, 26mm deep	Shifters	Shimano Ultegra, 2x11
Hubs	(F) Fulcrum Racing 600 / (R) Fulcrum Racing 600	Handlebar	Cannondale 3, 6061 alloy, Compact
Spokes	Fulcrum, Stainless steel	Grips	Cannondale Grip Bar Tape w/Gel, 3.5mm
Tires	Vittoria Rubino Pro Bright Black, 700 x 28c	Stem	Cannondale 3, 6061 alloy, 31.8, 7°
Pedals	Not Included	Headset	CAAD13, 1-1/4" lower bearing, 25mm Alloy top cap
Crank	Cannondale 1, BB30a, FSA rings, 52/36	Brakes	Shimano Ultegra
Bottom Bracket	Cannondale BB30	Brake Levers	Shimano Ultegra
Chain	Shimano HG601, 11-speed	Saddle	Prologo Nago RS STN
Rear Cogs	Shimano 105, 11-30, 11-speed	Seatpost	All-New HollowGram 27 KNØT, Alloy, 2 bolt clamp, 330mm
		Sizes	44, 48, 51, 54, 56, 58, 60, 62
		Color 1	BBQ (BBQ)
		Color 2	Nuclear Yellow (NYW)

CAAD13 Disc Ultegra



C13250M

Frame	All-New, SmartForm C1 Premium Alloy, direct mount rim brake, integrated cable routing w/ Switchplate, SAVE, BB30a, 142x12 Speed Release thru-axle, Di2 Ready	Chain	Shimano HG601, 11-speed
Fork	All-New, BallisTec Carbon, SAVE, 1-1/8" to 1-1/4" steerer, integrated crown race, 12x100mm Speed Release thru-axle, flat mount disc, internal routing, 55mm offset (47-54cm) 45mm offset (56-62cm)	Rear Cogs	Shimano 105, 11-30, 11-speed
Rims	Fulcrum Racing 600 DB	Front Derailleur	Shimano Ultegra, braze-on
Hubs	TBD	Rear Derailleur	Shimano Ultegra GS
Spokes	Stainless steel, 14g	Shifters	Shimano Ultegra hydro disc, 2x11
Tires	Vittoria Rubino Pro Bright Black, 700 x 25c	Handlebar	Cannondale C2, 7050 alloy, Compact
Pedals	Not Included	Grips	Cannondale Grip Bar Tape w/Gel, 3.5mm
Crank	Cannondale 1, BB30a, FSA rings, 52/36	Stem	Cannondale C2, 6061 alloy, 31.8, 7°
Bottom Bracket	Cannondale BB30	Headset	CAAD13, 1-1/4" lower bearing, 25mm Alloy top cap
		Brakes	Shimano Ultegra hydro disc, 160/160mm RT30 rotors
		Brake Levers	Shimano Ultegra hydro disc
		Saddle	Prologo Nago RS STN
		Seatpost	Cannondale CAAD13, alloy, 330mm
		Sizes	44, 48, 51, 54, 56, 58, 60, 62
		Color 1	Black Pearl (BPL)

CAAD13 Disc 105



C13360M

Frame	All-New, SmartForm C1 Premium Alloy, integrated cable routing w/ Switchplate, SAVE, BB30a, 142x12 Speed Release thru-axle, Di2 Ready, flat-mount disc	Rear Cogs	Shimano 105, 11-30, 11-speed
Fork	All-New, BallisTec Carbon, SAVE, 1-1/8" to 1-1/4" steerer, integrated crown race, 12x100mm Speed Release thru-axle, flat mount disc, internal routing, 55mm offset (47-54cm) 45mm offset (56-62cm)	Front Derailleur	Shimano 105, braze-on
Rims	RD 2.0, 28h	Rear Derailleur	Shimano 105 GS
Hubs	(F) Formula CL-712, 12x100mm centerlock (R) Formula RXC-400, 12x142 centerlock	Shifters	Shimano 105 hydro disc, 2x11
Spokes	Stainless steel, 14g	Handlebar	Cannondale 3, 6061 alloy, Compact
Tires	Vittoria Rubino Pro Bright Black, 700 x 25c	Grips	Cannondale Grip Bar Tape w/Gel, 3.5mm
Pedals	Not Included	Stem	Cannondale 3, 6061 alloy, 31.8, 7°
Crank	Cannondale 1, BB30a, FSA rings, 52/36	Headset	CAAD13, 1-1/4" lower bearing, 25mm Alloy top cap
Bottom Bracket	Cannondale BB30	Brakes	Shimano 105 hydro disc, 160/160mm RT54 rotors
Chain	Shimano HG601, 11-speed	Brake Levers	Shimano 105 hydro disc
		Saddle	Prologo Nago RS STN
		Seatpost	All-New HollowGram 27 KNØT, Alloy, 2 bolt clamp, 330mm
		Sizes	44, 48, 51, 54, 56, 58, 60, 62
		Color 1	Mantis (MAT)
		Color 2	Acid Red (ARD)

CAAD13 105



C13460M

Frame	All-New, SmartForm C1 Premium Alloy, direct mount rim brake, integrated cable routing w/ Switchplate, SAVE, BB30a, 130x9mm QR, Di2 Ready	Rear Cogs	Shimano 105, 11-30, 11-speed
Fork	All-New, BallisTec Carbon, direct mount rim brake, SAVE, 1-1/8" to 1-1/4" steerer, integrated crown race, 100x9mm QR, 55mm offset (47-54cm) 45mm offset (56-62cm)	Front Derailleur	Shimano 105, braze-on
Rims	Fulcrum Racing 900	Rear Derailleur	Shimano 105 GS
Hubs	(F) Fulcrum Racing 900 / (R) Fulcrum Racing 900	Shifters	Shimano 105, 2x11
Spokes	Fulcrum, Stainless steel	Handlebar	Cannondale 3, 6061 alloy, Compact
Tires	Vittoria Zaffiro, 700 x 28c	Grips	Cannondale Grip Bar Tape w/Gel, 3.5mm
Pedals	Not Included	Stem	Cannondale 3, 6061 alloy, 31.8, 7°
Crank	Cannondale 1, BB30a, FSA rings, 52/36	Headset	CAAD13, 1-1/4" lower bearing, 25mm Alloy top cap
Bottom Bracket	Cannondale BB30	Brakes	Shimano 105
Chain	Shimano HG601, 11-speed	Brake Levers	Shimano 105
		Saddle	Prologo Nago RS STN
		Seatpost	All-New HollowGram 27 KNØT, Alloy, 2 bolt clamp, 330mm
		Sizes	44, 48, 51, 54, 56, 58, 60, 62
		Color 1	Black Pearl (BPL)
		Color 2	Black Pearl (BPL)

CAAD13 Disc 105



C13300M

Frame	All-New, SmartForm C1 Premium Alloy, integrated cable routing w/ Switchplate, SAVE, BB30a, 142x12 Speed Release thru-axle, Di2 Ready, flat-mount disc	Rear Cogs	Shimano 105, 11-30, 11-speed
Fork	All-New, BallisTec Carbon, SAVE, 1-1/8" to 1-1/4" steerer, integrated crown race, 12x100mm Speed Release thru-axle, flat mount disc, internal routing, 55mm offset (47-54cm) 45mm offset (56-62cm)	Front Derailleur	Shimano 105, braze-on
Rims	RD 2.0, 28h	Rear Derailleur	Shimano 105 GS
Hubs	(F) Formula CL-712, 12x100mm centerlock (R) Formula RXC-400, 12x142 centerlock	Shifters	Shimano 105 hydro disc, 2x11
Spokes	Stainless steel, 14g	Handlebar	Cannondale 3, 6061 alloy, Compact
Tires	Vittoria Rubino Pro Bright Black, 700 x 28c	Grips	Cannondale Grip Bar Tape w/Gel, 3.5mm
Pedals	Not Included	Stem	Cannondale 3, 6061 alloy, 31.8, 7°
Crank	Cannondale 1, BB30a, FSA rings, 52/36	Headset	CAAD13, 1-1/4" lower bearing, 25mm Alloy top cap
Bottom Bracket	Cannondale BB30	Brakes	Shimano 105 hydro disc, 160/160mm RT54 rotors
Chain	Shimano HG601, 11-speed	Brake Levers	Shimano 105 hydro disc
		Saddle	Prologo Nago RS STN
		Seatpost	All-New HollowGram 27 KNØT, Alloy, 2 bolt clamp, 330mm
		Sizes	44, 48, 51, 54, 56, 58, 60, 62
		Color 1	Mantis (MAT)
		Color 2	Acid Red (ARD)

CAAD13 105



C13400M

Frame	All-New, SmartForm C1 Premium Alloy, direct mount rim brake, integrated cable routing w/ Switchplate, SAVE, BB30a, 130x9mm QR, Di2 Ready	Front Derailleur	Shimano 105, braze-on
Fork	All-New, BallisTec Carbon, direct mount rim brake, SAVE, 1-1/8" to 1-1/4" steerer, integrated crown race, 100x9mm QR, 55mm offset (47-54cm) 45mm offset (56-62cm)	Rear Derailleur	Shimano 105 GS
Rims	Fulcrum Racing 900	Shifters	Shimano 105, 2x11
Hubs	(F) Fulcrum Racing 900 / (R) Fulcrum Racing 900	Handlebar	Cannondale 3, 6061 alloy, Compact
Spokes	Fulcrum, Stainless steel	Grips	Cannondale Grip Bar Tape w/Gel, 3.5mm
Tires	Vittoria Zaffiro, 700 x 28c	Stem	Cannondale 3, 6061 alloy, 31.8, 7°
Pedals	Not Included	Headset	CAAD13, 1-1/4" lower bearing, 25mm Alloy top cap
Crank	Cannondale 1, BB30a, FSA rings, 52/36	Brakes	Shimano 105
Bottom Bracket	Cannondale BB30	Brake Levers	Shimano 105
Chain	Shimano HG601, 11-speed	Saddle	Prologo Nago RS STN
Rear Cogs	Shimano 105, 11-30, 11-speed	Seatpost	All-New HollowGram 27 KNØT, Alloy, 2 bolt clamp, 330mm
		Sizes	44, 48, 51, 54, 56, 58, 60, 62
		Color 1	Black Pearl (BPL)
		Color 2	Sherpa (SRP)

CAAD13 Women's 105



C13400F

Frame	All-New, SmartForm C1 Premium Alloy, direct mount rim brake, integrated cable routing w/ Switchplate, SAVE, BB30a, 130x9mm QR, Di2 Ready	Front Derailleur	Shimano 105, braze-on
Fork	All-New, BallisTec Carbon, direct mount rim brake, SAVE, 1-1/8" to 1-1/4" steerer, integrated crown race, 100x9mm QR, 55mm offset	Rear Derailleur	Shimano 105 GS
Rims	Fulcrum Racing 900	Shifters	Shimano 105, 2x11
Hubs	(F) Fulcrum Racing 900 / (R) Fulcrum Racing 900	Handlebar	Cannondale 3, 6061 alloy, Compact
Spokes	Fulcrum, Stainless steel	Grips	Cannondale Grip Bar Tape w/Gel, 3.5mm
Tires	Vittoria Zaffiro, 700 x 28c	Stem	Cannondale 3, 6061 alloy, 31.8, 7°
Pedals	Not Included	Headset	CAAD13, 1-1/4" lower bearing, 25mm Alloy top cap
Crank	Cannondale 1, BB30a, FSA rings, 50/34	Brakes	Shimano 105
Bottom Bracket	Cannondale BB30	Brake Levers	Shimano 105
Chain	Shimano HG601, 11-speed	Saddle	Prologo Kappa Dea RS
Rear Cogs	Shimano 105, 11-30, 11-speed	Seatpost	All-New HollowGram 27 KNØT, Alloy, 2 bolt clamp, 330mm
		Sizes	44, 48, 51, 54
		Color 1	Champagne (CHP)

CAAD13 Disc Women's 105



C13200F

Frame	All-New, SmartForm C1 Premium Alloy, integrated cable routing w/ Switchplate, SAVE, BB30a, 142x12 Speed Release thru-axle, Di2 Ready, flat-mount disc	Rear Cogs	Shimano 105, 11-30, 11-speed
Fork	All-New, BallisTec Carbon, SAVE, 1-1/8" to 1-1/4" steerer, integrated crown race, Speed Release 12x100mm thru-axle, flat mount disc, internal routing, 55mm offset	Front Derailleur	Shimano 105, braze-on
Rims	RD 2.0, 28h	Rear Derailleur	Shimano 105 GS
Hubs	(F) Formula CL-712, 12x100mm centerlock (R) Formula RXC-400, 12x142 centerlock	Shifters	Shimano 105 hydro disc, 2x11
Spokes	Stainless steel, 14g	Handlebar	Cannondale 3, 6061 alloy, Compact
Tires	Vittoria Rubino Pro Bright Black, 700 x 28c	Grips	Cannondale Grip Bar Tape w/Gel, 3.5mm
Pedals	Not Included	Stem	Cannondale 3, 6061 alloy, 31.8, 7°
Crank	Cannondale 1, BB30a, FSA rings, 50/34	Headset	CAAD13, 1-1/4" lower bearing, 25mm Alloy top cap
Bottom Bracket	Cannondale BB30	Brakes	Shimano 105 hydro disc, 160/160mm RT54 rotors
Chain	Shimano HG601, 11-speed	Brake Levers	Shimano 105 hydro disc
		Saddle	Prologo Kappa Dea RS
		Seatpost	All-New HollowGram 27 KNØT, Alloy, 2 bolt clamp, 330mm
		Sizes	44, 48, 51, 54
		Color 1	Graphite (GRA)

CAAD Optimo



Where Performance Begins

A performance road bike with race-winning DNA. Smooth, fast, affordable—pick three.

Key Benefits

- **Exceptional Aluminum Performance**
Refined butting, precisely controlled tube shapes, and renowned double-pass welds create frames that are lighter and ride better than our competitors' highest-end alloy offerings.
- **Elite Race Geometry**
With similar geometry to the CAAD13, the CAAD Optimo offers riders true race handling and body position.
- **Ride Smoother with SAVE**
Specifically engineered flex zones in the rear of the frame absorb road irregularities for better comfort and control.

Category

Road | Race

Sizes

44, 48, 51, 54, 56,
58, 60, 63

Wheel / Tire Size

700 x25-28c

CAAD Optimo 105



C14100M

Frame	SmartForm C2 Alloy, SAVE, tapered headtube, fender mounts	Shifters	Shimano 105, 2x11
Fork	Full Carbon, 1-1/8" to 1-1/4" steerer, fender mounts	Handlebar	Cannondale 3, 6061 alloy, Compact
Rims	RS 2.0, 24h front, 28h rear	Grips	Cannondale Grip Bar Tape w/Gel, 3.5mm
Hubs	(F) Formula RB-56 / (R) Formula RB-5711	Stem	Cannondale 3, 6061 alloy, 31.8, 7°
Spokes	Stainless steel, 14g	Headset	CAAD Optimo, 1-1/8" to 1-1/4", 25mm top cap
Tires	Vittoria Zaffiro Pro Slick, 700 x 25c	Brakes	Tektro R741
Pedals	Wellgo w/ Clip and Strap	Brake Levers	Shimano 105
Crank	FSA Gossamer alloy, 50/34	Saddle	Cannondale Stage Ergo
Bottom Bracket	FSA MegaExo	Seatpost	Cannondale 3, 6061 alloy, 27.2 x 350mm (44-56), 400mm (58-63)
Chain	KMC X11, 11-speed	Sizes	44, 48, 51, 54, 56, 58, 60, 63
Rear Cogs	Shimano 105, 11-30, 11-speed	Color 1	Black Pearl (BPL)
Front Derailleur	Shimano 105, 31.8 clamp	Color 2	Ultra Violet (ULV)
Rear Derailleur	Shimano 105 GS		

CAAD Optimo Sora



C14300M

Frame	SmartForm C2 Alloy, SAVE, tapered headtube, fender mounts	Shifters	Shimano Sora, 2x9
Fork	Full Carbon, 1-1/8" to 1-1/4" steerer, fender mounts	Handlebar	6061 alloy, Compact
Rims	RS 2.0, 24h front, 28h rear	Grips	Cannondale Grip Bar Tape w/Gel, 3.5mm
Hubs	(F) Formula RB-31 / (R) Formula RB-32	Stem	Cannondale 4, 6061 alloy, 31.8, 7°
Spokes	Stainless steel, 14g	Headset	CAAD Optimo, 1-1/8" to 1-1/4", 25mm top cap
Tires	Vittoria Zaffiro, 700 x 25c	Brakes	Promax RC-452
Pedals	Wellgo w/ Clip and Strap	Brake Levers	Shimano Sora
Crank	FSA Vero alloy, 50/34	Saddle	Cannondale Stage Ergo
Bottom Bracket	FSA Cartridge	Seatpost	6061 Alloy, 27.2 x 350mm (44-56), 400mm (58-63)
Chain	KMC X9, 9-speed	Sizes	44, 48, 51, 54, 56, 58, 60, 63
Rear Cogs	Shimano HG50, 11-30, 9-speed	Color 1	Midnight (MDN)
Front Derailleur	Shimano Sora, 31.8 clamp	Color 2	Crush (CRU)
Rear Derailleur	Shimano Sora GS		

CAAD Optimo Tiagra



C14200M

Frame	SmartForm C2 Alloy, SAVE, tapered headtube, fender mounts	Shifters	Shimano Tiagra, 2x10
Fork	Full Carbon, 1-1/8" to 1-1/4" steerer, fender mounts	Handlebar	6061 alloy, Compact
Rims	RS 2.0, 24h front, 28h rear	Grips	Cannondale Grip Bar Tape w/Gel, 3.5mm
Hubs	(F) Formula RB-31 / (R) Formula RB-32	Stem	Cannondale 4, 6061 alloy, 31.8, 7°
Spokes	Stainless steel, 14g	Headset	CAAD Optimo, 1-1/8" to 1-1/4", 25mm top cap
Tires	Vittoria Zaffiro, 700 x 25c	Brakes	Promax RC-476
Pedals	Wellgo w/ Clip and Strap	Brake Levers	Shimano Tiagra
Crank	FSA Omega, 50/34	Saddle	Cannondale Stage CX
Bottom Bracket	FSA Cartridge	Seatpost	6061 alloy, 27.2 x 350mm (44-56), 400mm (58-63)
Chain	KMC X10EL, 10-speed	Sizes	44, 48, 51, 54, 56, 58, 60, 63
Rear Cogs	Shimano HG500, 11-28, 10-speed	Color 1	Cashmere (CAS)
Front Derailleur	Shimano Tiagra, 31.8 clamp	Color 2	Nuclear Yellow (NYW)
Rear Derailleur	Shimano Tiagra GS		

CAAD Optimo Claris



C14400M

Frame	SmartForm C2 Alloy, SAVE, tapered headtube, fender mounts	Rear Derailleur	Shimano Claris
Fork	Full Carbon, 1-1/8" to 1-1/4" steerer, fender mounts	Shifters	Shimano Claris, 2x8
Rims	RS 2.0, 24h front, 28h rear	Handlebar	6061 alloy, Compact
Hubs	(F) Formula RB-31 / (R) Formula RB-32	Grips	Cannondale Grip Bar Tape w/Gel, 3.5mm
Spokes	Stainless steel, 14g	Stem	Cannondale 4, 6061 alloy, 31.8, 7°
Tires	Vittoria Zaffiro, 700 x 25c	Headset	CAAD Optimo, 1-1/8" to 1-1/4", 25mm top cap
Pedals	Wellgo w/ Clip and Strap	Brakes	Promax RC-452
Crank	FSA Tempo, 50/34	Brake Levers	Shimano Claris
Bottom Bracket	FSA Cartridge	Saddle	Cannondale Stage Ergo
Chain	KMC HG71, 8-speed	Seatpost	6061 Alloy, 27.2 x 350mm (44-56), 400mm (58-63)
Rear Cogs	Shimano HG50, 11-30, 8-speed	Sizes	44, 48, 51, 54, 56, 58, 60, 63
Front Derailleur	Shimano Claris	Color 1	Acid Green (AGR)

Synapse Carbon

Keep Firing



A road bike that's light, stiff, fast and surprisingly comfortable. Your rides will go longer. You'll barely notice.

Key Benefits

- **Connected & Protected**
SAVE micro-suspension technology in the frame, fork, bar and seatpost insulates you from bumps while keeping you connected to the road. Better handling and control, with the comfort to ride all day.
- **Race-Level Performance**
Light enough for quick climbing and stiff enough for sprinting thanks to asymmetric design, refined tube shapes and dialed carbon layup. This bike's lively feel is replicated across every size.
- **True Endurance**
Endurance Race Geometry positions you forward enough to go hard but upright enough to go long, plus a removable seatstay bridge and hidden fender mounts keep you grinding on any road, in any weather.

Category

Road | Endurance

Sizes

Women's:
44, 48, 51, 54

Men's:
48, 51, 54, 56, 58, 61

Wheel / Tire Size

700 x28-32c

Synapse Carbon Hi-MOD Red eTap AXS



C12100M

Frame	BallisTec Hi-MOD Carbon, Di2 ready, SAVE, BB30a, flat mount, 12mm thru axle, internal cable routing, removable fender bridge	Chain	SRAM RED, 12-speed
Fork	BallisTec Hi-MOD Carbon, SAVE, integrated crown race, 12x100mm thru-axle, internal routing, size-specific design - 44-48: 1 1/8" steerer, 60mm rake 51-54: 1-1/8" - 1-1/4" tapered steerer, 55mm rake 56-61: 1-1/8" - 1-3/8" tapered steerer, 45mm rake	Rear Cogs	SRAM XG-1290, 10-33, 12-speed
Rims	HollowGram 45 SL KNØT, Carbon, 20h front, 24h rear, 45mm deep, 21mm ID, tubeless ready	Front Derailleur	SRAM RED eTap AXS, braze-on
Hubs	(F) HollowGram KNØT, sealed bearing 12x100 centerlock / (R) HollowGram KNØT, 12x142 centerlock w/ DT Swiss internals, SRAM XDR driver	Rear Derailleur	SRAM RED eTap AXS
Spokes	DT Swiss Aerolite	Shifters	SRAM RED eTap AXS HRD, 2x12
Tires	Vittoria Corsa, 700 x 28c	Handlebar	HollowGram SystemBar SAVE, Carbon, 8 deg. pitch adjust
Pedals	Not Included	Grips	Cannondale Grip Bar Tape w/Gel, 3.5mm
Crank	SRAM RED Carbon, 46/33	Stem	All-New HollowGram SAVE, alloy, -6°
Bottom Bracket	SRAM RED DUB PF30	Headset	Synapse Si, 25mm Carbon top cap
		Brakes	SRAM RED eTap AXS HRD, 160/160mm Centerlock rotors
		Brake Levers	SRAM RED eTap AXS HRD
		Saddle	Fabric Scoop Shallow Pro, carbon rails
		Seatpost	SAVE Carbon, 25.4 x 350mm
		Connectivity	Wheel Sensor
		Sizes	48, 51, 54, 56, 58, 61
		Color 1	Mantis (MAT)

Synapse Carbon Hi-MOD Disc Ultegra Di2



C12150M

Frame	BallisTec Hi-MOD Carbon, Di2 ready, SAVE, BB30a, flat mount, 12mm thru axle, internal cable routing, removable fender bridge	Rear Cogs	Shimano Ultegra, 11-34, 11-speed
Fork	BallisTec Hi-MOD Carbon, SAVE, integrated crown race, 12x100mm thru-axle, internal routing, size-specific design - 44-48: 1 1/8" steerer, 60mm rake 51-54: 1-1/8" - 1-1/4" tapered steerer, 55mm rake 56-61: 1-1/8" - 1-3/8" tapered steerer, 45mm rake	Front Derailleur	Shimano Ultegra Di2, braze-on
Rims	HollowGram 45 SL KNØT, Carbon, 20h front, 24h rear, 45mm deep, 21mm ID, tubeless ready	Rear Derailleur	Shimano Ultegra Di2 RX
Hubs	(F) HollowGram KNØT, sealed bearing 12x100 centerlock / (R) HollowGram KNØT, 12x142 centerlock w/ DT Swiss internals	Shifters	Shimano Ultegra Di2 hydro disc, 2x11
Spokes	DT Swiss Aerolite	Handlebar	HollowGram SystemBar SAVE, Carbon, 8 deg. pitch adjust
Tires	Vittoria Corsa, 700 x 28c	Grips	Cannondale Grip Bar Tape w/Gel, 3.5mm
Pedals	Not Included	Stem	All-New HollowGram SAVE, alloy, -6°
Crank	HollowGram, BB30a w/ OPI SpideRing, 50/34	Headset	Synapse Si, 25mm Carbon top cap
Bottom Bracket	Cannondale BB30	Brakes	Shimano Ultegra Di2 hydro disc, 160/140mm RT800 rotors
Chain	Shimano HG701, 11-speed	Brake Levers	Shimano Ultegra Di2 hydro disc
		Saddle	Fabric Scoop Shallow Race, titanium rails
		Seatpost	Cannondale 2, UD Carbon, 25.4 x 350mm
		Connectivity	Wheel Sensor
		Sizes	48, 51, 54, 56, 58, 61
		Color 1	Champagne (CHP)

Synapse Carbon Hi-MOD Disc Record



C12120M

Frame	BallisTec Hi-MOD Carbon, Di2 ready, SAVE, BB30a, flat mount, 12mm thru axle, internal cable routing, removable fender bridge	Front Derailleur	Campagnolo Record, braze-on
Fork	BallisTec Hi-MOD Carbon, SAVE, integrated crown race, 12x100mm thru-axle, internal routing, size-specific design - 44-48: 1 1/8" steerer, 60mm rake 51-54: 1-1/8" - 1-1/4" tapered steerer, 55mm rake 56-61: 1-1/8" - 1-3/8" tapered steerer, 45mm rake	Rear Derailleur	Campagnolo Record
Rims	Fulcrum Wind 400 DB	Shifters	Campagnolo Record hydro disc, 2x12
Hubs	(F) TBD / (R) TBD	Handlebar	HollowGram SystemBar SAVE, Carbon, 8 deg. pitch adjust
Spokes	Fulcrum, Stainless steel	Grips	Brooks Cambium
Tires	Vittoria Corsa, 700 x 28c	Stem	All-New HollowGram SAVE, alloy, -6°
Pedals	Not Included	Headset	Synapse Si, 25mm Carbon top cap
Crank	Campagnolo Record Carbon, 50/34	Brakes	Campagnolo Record hydro disc, 160/140mm O3 rotors
Bottom Bracket	Campagnolo Record PressFit	Brake Levers	Campagnolo Record hydro disc
Chain	Campagnolo Chorus, 12-speed	Saddle	Brooks Cambium C17, steel rails
Rear Cogs	Campagnolo Super Record, 11-34, 12-speed	Seatpost	SAVE Carbon, 25.4 x 350mm (44-56), 400mm (58-63)
		Connectivity	Wheel Sensor
		Sizes	48, 51, 54, 56, 58, 61
		Color 1	Agave (AGV)

Synapse Carbon Disc Dura Ace



C12200M

Frame	BallisTec Carbon, Di2 ready, SAVE, BB30a, flat mount, 12mm thru axle, internal cable routing, removable fender bridge	Front Derailleur	Shimano Dura-Ace, braze-on
Fork	BallisTec Carbon, SAVE, integrated crown race, 12x100mm thru-axle, internal routing, size-specific design - 44-48: 1 1/8" steerer, 60mm rake 51-54: 1-1/8" - 1-1/4" tapered steerer, 55mm rake 56-61: 1-1/8" - 1-3/8" tapered steerer, 45mm rake	Rear Derailleur	Shimano Dura-Ace
Rims	Fulcrum Racing 500 DB, Alloy clincher, 26mm deep	Shifters	Shimano Dura-Ace hydro disc, 2x11
Hubs	(F) Fulcrum Racing 500 DB, 12x100 / (R) Fulcrum Racing 500 DB, 12x142	Handlebar	HollowGram SystemBar SAVE, Carbon, 8 deg. pitch adjust
Spokes	Fulcrum, Stainless steel	Grips	Cannondale Grip Bar Tape w/Gel, 3.5mm
Tires	Vittoria Rubino Pro Bright Black, 700 x 30c	Stem	All-New HollowGram SAVE, alloy, -6°
Pedals	Not Included	Headset	Synapse Si, 25mm Carbon top cap
Crank	HollowGram, BB30a w/ OPI SpideRing, 50/34	Brakes	Shimano Dura Ace hydro disc, 160/140mm RT800 rotors
Bottom Bracket	Cannondale BB30	Brake Levers	Shimano Dura-Ace hydro disc
Chain	Shimano HG701, 11-speed	Saddle	Fabric Scoop Shallow Elite, cro-mo rails
Rear Cogs	Shimano Ultegra, 11-30, 11-speed	Seatpost	Cannondale 2, UD Carbon, 25.4 x 350mm
		Connectivity	Wheel Sensor
		Sizes	48, 51, 54, 56, 58, 61
		Color 1	Black Pearl (BPL)
		Color 2	Nuclear Yellow (NYW)

Synapse Carbon Disc Ultegra Di2



C12250M

Frame	BallisTec Carbon, Di2 ready, SAVE, BB30a, flat mount, 12mm thru axle, internal cable routing, removable fender bridge	Rear Cogs	Shimano 105, 11-34, 11-speed
Fork	BallisTec Carbon, SAVE, integrated crown race, 12x100mm thru-axle, internal routing, size-specific design - 44-48: 1 1/8" steerer, 60mm rake 51-54: 1-1/8" - 1-1/4" tapered steerer, 55mm rake 56-61: 1-1/8" - 1-3/8" tapered steerer, 45mm rake	Front Derailleur	Shimano Ultegra Di2, braze-on
Rims	Fulcrum Racing 600 DB, Alloy clincher, 26mm deep	Rear Derailleur	Shimano Ultegra Di2 GS
Hubs	(F) Fulcrum Racing 600 DB, 12x100 / (R) Fulcrum Racing 600 DB, 12x142	Shifters	Shimano Ultegra Di2 hydro disc, 2x11
Spokes	Fulcrum, Stainless steel	Handlebar	Cannondale 2, 7050 Alloy, Compact
Tires	Vittoria Rubino Pro Bright Black, 700x30c	Grips	Cannondale Grip Bar Tape w/Gel, 3.5mm
Pedals	Not Included	Stem	Cannondale 2, 6061 Alloy, 31.8, 7°
Crank	Cannondale 1, BB30a, FSA rings, 50/34	Headset	Synapse, 1-1/4" lower bearing, 25mm top cap
Bottom Bracket	Cannondale Alloy PressFit30	Brakes	Shimano Ultegra Di2 hydro disc, 160/160mm RT30 rotors
Chain	Shimano HG601, 11-speed	Brake Levers	Shimano Ultegra Di2 hydro disc
		Saddle	Fabric Scoop Shallow Sport, steel rails
		Seatpost	Cannondale 2, UD Carbon, 25.4 x 350mm
		Connectivity	Wheel Sensor
		Sizes	48, 51, 54, 56, 58, 61
		Color 1	Emerald (EMR)

Synapse Carbon Disc 105



C12350M

Frame	BallisTec Carbon, Di2 ready, SAVE, BB30a, flat mount, 12mm thru axle, internal cable routing, removable fender bridge	Rear Cogs	Shimano 105, 11-34, 11-speed
Fork	BallisTec Carbon, SAVE, integrated crown race, 12x100mm thru-axle, internal routing, size-specific design - 44-48: 1 1/8" steerer, 60mm rake 51-54: 1-1/8" - 1-1/4" tapered steerer, 55mm rake 56-61: 1-1/8" - 1-3/8" tapered steerer, 45mm rake	Front Derailleur	Shimano 105, braze-on
Rims	RD 2.0, 28h	Rear Derailleur	Shimano 105 GS
Hubs	(F) Formula CL-712, 12x100mm centerlock (R) Formula RXC-400, 12x142 centerlock	Shifters	Shimano 105 hydro disc, 2x11
Spokes	Stainless steel, 14g	Handlebar	Cannondale 3, 6061 alloy, Compact
Tires	Vittoria Zaffiro Pro Bright Black, 700 x 30c	Grips	Cannondale Grip Bar Tape w/Gel, 3.5mm
Pedals	Not Included	Stem	Cannondale 3, 6061 alloy, 7-degree
Crank	Cannondale 1, BB30a, FSA rings, 50/34	Headset	Synapse, 1-1/4" lower bearing, 25mm top cap
Bottom Bracket	Cannondale Alloy PressFit30	Brakes	Shimano 105 hydro disc, 160/160mm RT30 rotors
Chain	Shimano HG601, 11-speed	Brake Levers	Shimano 105 hydro disc
		Saddle	Fabric Scoop Shallow Sport, steel rails
		Seatpost	Cannondale 3, 6061 Alloy, 25.4 x 350mm (46-56), 400mm (58-61)
		Sizes	48, 51, 54, 56, 58, 61
		Color 1	Black (BLK)
		Color 2	Nuclear Yellow (NYW)

Synapse Carbon Disc Ultegra



C12300M

Frame	BallisTec Carbon, Di2 ready, SAVE, BB30a, flat mount, 12mm thru axle, internal cable routing, removable fender bridge	Rear Cogs	Shimano 105, 11-34, 11-speed
Fork	BallisTec Carbon, SAVE, integrated crown race, 12x100mm thru-axle, internal routing, size-specific design - 44-48: 1 1/8" steerer, 60mm rake 51-54: 1-1/8" - 1-1/4" tapered steerer, 55mm rake 56-61: 1-1/8" - 1-3/8" tapered steerer, 45mm rake	Front Derailleur	Shimano Ultegra, braze-on
Rims	Fulcrum Racing 600 DB, Alloy clincher, 26mm deep	Rear Derailleur	Shimano Ultegra GS
Hubs	(F) Fulcrum Racing 600 DB, 12x100 / (R) Fulcrum Racing 600 DB, 12x142	Shifters	Shimano Ultegra hydro disc, 2x11
Spokes	Fulcrum, Stainless steel	Handlebar	Cannondale 3, 6061 alloy, Compact
Tires	Vittoria Rubino Pro Bright Black, 700x30c	Grips	Cannondale Grip Bar Tape w/Gel, 3.5mm
Pedals	Not Included	Stem	Cannondale 3, 6061 alloy, 7-degree
Crank	Cannondale 1, BB30a, FSA rings, 50/34	Headset	Synapse, 1-1/4" lower bearing, 25mm top cap
Bottom Bracket	Cannondale Alloy PressFit30	Brakes	Shimano Ultegra hydro disc, 160/160mm RT30 rotors
Chain	Shimano HG601, 11-speed	Brake Levers	Shimano Ultegra hydro disc
		Saddle	Fabric Scoop Shallow Sport, steel rails
		Seatpost	Cannondale 3, 6061 Alloy, 25.4 x 350mm (46-56), 400mm (58-61)
		Sizes	48, 51, 54, 56, 58, 61
		Color 1	Graphite (GRA)
		Color 2	Crush (CRU)

Synapse Carbon Disc Tiagra



C12400M

Frame	BallisTec Carbon, Di2 ready, SAVE, BB30a, flat mount, 12mm thru axle, internal cable routing, removable fender bridge	Rear Cogs	Shimano HG500, 11-34, 10-speed
Fork	BallisTec Carbon, SAVE, integrated crown race, 12x100mm thru-axle, internal routing, size-specific design - 44-48: 1 1/8" steerer, 60mm rake 51-54: 1-1/8" - 1-1/4" tapered steerer, 55mm rake 56-61: 1-1/8" - 1-3/8" tapered steerer, 45mm rake	Front Derailleur	Shimano Tiagra, braze-on
Rims	RD 2.0, 28h	Rear Derailleur	Shimano Tiagra GS
Hubs	(F) Formula CL-712, 12x100mm centerlock (R) Formula RXC-400, 12x142 centerlock	Shifters	Shimano Tiagra hydro disc, 2x10
Spokes	Stainless steel, 14g	Handlebar	6061 alloy, Compact
Tires	Vittoria Zaffiro, 700 x 28c	Grips	Cannondale Grip Bar Tape w/Gel, 3.5mm
Pedals	Not Included	Stem	Cannondale 4, 6061 alloy, 31.8, 7°
Crank	FSA Omega Alloy, 50/34	Headset	Synapse, 1-1/4" lower bearing, 25mm top cap
Bottom Bracket	Cannondale Alloy PressFit30	Brakes	Shimano Tiagra hydro disc, 160/160mm RT10 rotors
Chain	KMC X10EL, 10-speed	Brake Levers	Shimano Tiagra hydro disc
		Saddle	Fabric Scoop Shallow Sport, steel rails
		Seatpost	6061 Alloy, 25.4 x 350mm (44-56), 400mm (58-61)
		Sizes	48, 51, 54, 56, 58, 61
		Color 1	Midnight (MDN)

Synapse Carbon Hi-MOD Women's Ultegra Di2



C12150F

Frame	BallisTec Hi-MOD Carbon, Di2 ready, SAVE, BB30a, flat mount, 12mm thru axle, internal cable routing, removable fender bridge	Rear Cogs	Shimano Ultegra, 11-34, 11-speed
Fork	BallisTec Hi-MOD Carbon, SAVE, integrated crown race, 12x100mm thru-axle, internal routing, size-specific design - 44-48: 1 1/8" steerer, 60mm rake 51-54: 1-1/8" - 1-1/4" tapered steerer, 55mm rake	Front Derailleur	Shimano Ultegra Di2, braze-on
Rims	HollowGram 45 SL KNØT, Carbon, 20h front, 24h rear, 45mm deep, 21mm ID, tubeless ready	Rear Derailleur	Shimano Ultegra Di2 RX
Hubs	(F) HollowGram KNØT, sealed bearing 12x100 centerlock / (R) HollowGram KNØT, 12x142 centerlock w/ DT Swiss internals	Shifters	Shimano Ultegra Di2 hydro disc, 2x11
Spokes	DT Swiss Aerolite	Handlebar	HollowGram SystemBar SAVE, Carbon, 8 deg. pitch adjust
Tires	Vittoria Corsa, 700 x 28c	Grips	Cannondale Grip Bar Tape w/Gel, 3.5mm
Pedals	Not Included	Stem	All-New HollowGram SAVE, alloy, -6°
Crank	HollowGram, BB30a w/ OPI SpideRing, 50/34	Headset	Synapse Si, 25mm Carbon top cap
Bottom Bracket	Cannondale BB30	Brakes	Shimano Ultegra Di2 hydro disc, 160/140mm RT800 rotors
Chain	Shimano HG701, 11-speed	Brake Levers	Shimano Ultegra Di2 hydro disc
		Saddle	Fabric Line Shallow Race, 142mm, titanium rails
		Seatpost	Cannondale 2, UD Carbon, 25.4 x 350mm
		Connectivity	Wheel Sensor
		Sizes	44, 48, 51, 54
		Color 1	Sherpa (SRP)

Synapse Carbon Disc Women's 105



C12350F

Frame	BallisTec Carbon, Di2 ready, SAVE, BB30a, flat mount, 12mm thru axle, internal cable routing, removable fender bridge	Rear Cogs	Shimano 105, 11-34, 11-speed
Fork	BallisTec Carbon, SAVE, integrated crown race, 12x100mm thru-axle, internal routing, size-specific design 44-48: 1 1/8" steerer/60mm rake, 51-54: 1-1/8" - 1-1/4" tapered steerer/55mm rake	Front Derailleur	Shimano 105, braze-on
Rims	RD 2.0, 28h	Rear Derailleur	Shimano 105 GS
Hubs	(F) Formula CL-712, 12x100mm centerlock (R) Formula RXC-400, 12x142 centerlock	Shifters	Shimano 105 hydro disc, 2x11
Spokes	Stainless steel, 14g	Handlebar	Cannondale 3, 6061 Alloy, Compact
Tires	Vittoria Zaffiro Pro Bright Black, 700 x 30c	Grips	Cannondale Grip Bar Tape w/Gel, 3.5mm
Pedals	Not Included	Stem	Cannondale 3, 6061 Alloy, 31.8, 7°
Crank	Cannondale 1, BB30a, FSA rings, 50/34	Headset	Synapse, 1-1/4" lower bearing, 25mm top cap
Bottom Bracket	Cannondale Alloy PressFit30	Brakes	Shimano 105 hydro disc, 160/160mm RT30 rotors
Chain	Shimano HG601, 11-speed	Brake Levers	Shimano 105 hydro disc
		Saddle	Fabric Scoop Women's Sport, 155mm width, steel rails
		Seatpost	Cannondale 3, 6061 Alloy, 25.4 x 350mm (46-56), 400mm (58-61)
		Sizes	44, 48, 51, 54
		Color 1	Graphite (GRA)

Synapse Carbon Disc Women's Ultegra



C12300F

Frame	BallisTec Carbon, Di2 ready, SAVE, BB30a, flat mount, 12mm thru axle, internal cable routing, removable fender bridge	Rear Cogs	Shimano 105, 11-34, 11-speed
Fork	BallisTec Carbon, SAVE, integrated crown race, 12x100mm thru-axle, internal routing, size-specific design 44-48: 1 1/8" steerer/60mm rake, 51-54: 1-1/8" - 1-1/4" tapered steerer/55mm rake	Front Derailleur	Shimano Ultegra, braze-on
Rims	Fulcrum Racing 600 DB, Alloy clincher, 26mm deep	Rear Derailleur	Shimano Ultegra GS
Hubs	(F) Fulcrum Racing 600 DB, 12x100 / (R) Fulcrum Racing 600 DB, 12x142	Shifters	Shimano Ultegra hydro disc, 2x11
Spokes	Fulcrum, Stainless steel	Handlebar	Cannondale 3, 6061 Alloy, Compact
Tires	Vittoria Rubino Pro Bright Black, 700 x 30c	Grips	Cannondale Grip Bar Tape w/Gel, 3.5mm
Pedals	Not Included	Stem	Cannondale 3, 6061 Alloy, 31.8, 7°
Crank	Cannondale 1, BB30a, FSA rings, 50/34	Headset	Synapse, 1-1/4" lower bearing, 25mm top cap
Bottom Bracket	Cannondale Alloy PressFit30	Brakes	Shimano Ultegra hydro disc, 160/160mm RT30 rotors
Chain	Shimano HG601, 11-speed	Brake Levers	Shimano Ultegra hydro disc
		Saddle	Fabric Scoop Women's Sport, 155mm width, steel rails
		Seatpost	Cannondale 3, 6061 Alloy, 25.4 x 350mm (46-56), 400mm (58-61)
		Sizes	44, 48, 51, 54
		Color 1	Black (BLK)

Synapse Carbon Disc Women's Tiagra



C12400F

Frame	BallisTec Carbon, Di2 ready, SAVE, BB30a, flat mount, 12mm thru axle, internal cable routing, removable fender bridge	Rear Cogs	Shimano HG500, 11-34, 10-speed
Fork	BallisTec Carbon, SAVE, integrated crown race, 12x100mm thru-axle, internal routing, size-specific design 44-48: 1 1/8" steerer/60mm rake, 51-54: 1-1/8" - 1-1/4" tapered steerer/55mm rake	Front Derailleur	Shimano Tiagra, braze-on
Rims	RD 2.0, 28h	Rear Derailleur	Shimano Tiagra GS
Hubs	(F) Formula CL-712, 12x100mm centerlock (R) Formula RXC-400, 12x142 centerlock	Shifters	Shimano Tiagra hydro disc, 2x10
Spokes	Stainless steel, 14g	Handlebar	6061 alloy, Compact
Tires	Vittoria Zaffiro, 700 x 28c	Grips	Cannondale Grip Bar Tape w/Gel, 3.5mm
Pedals	Not Included	Stem	Cannondale 3, 6061 Alloy, 31.8, 7°
Crank	FSA Omega Alloy, 50/34	Headset	Synapse, 1-1/4" lower bearing, 25mm top cap
Bottom Bracket	Cannondale Alloy PressFit30	Brakes	Shimano Tiagra hydro disc, 160/160mm RT30 rotors
Chain	KMC X10, 10-speed	Brake Levers	Shimano Tiagra hydro disc
		Saddle	Cannondale Stage Ergo Women's
		Seatpost	6061 Alloy, 25.4 x 350mm (44-56), 400mm (58-61)
		Sizes	44, 48, 51, 54
		Color 1	Ultra Violet (ULV)

Synapse

Keep Firing



A road bike that's light, stiff, fast and surprisingly comfortable. Your rides will go longer. You'll barely notice.

Key Benefits

- **Start Out Right**
On anything from fast group rides to daily commutes, the Synapse's light weight, comfortable sportive position and smooth ride will help you ride faster, ride longer and ride more.
- **Connected & Protected**
SAVE micro-suspension technology in the frame and fork insulates you from bumps while maintaining your connection to the road. Improved handling, more control, and enough comfort to ride all day.
- **True Endurance**
Endurance Geometry positions you forward enough to go hard but with enough upright comfort to go long.

Category

Road | Endurance

Sizes

Women's:
44, 48, 51, 54

Men's:
48, 51, 54, 56, 58, 61

Wheel / Tire Size

700 x28-32c

Synapse Disc 105



C12550M

Frame	SmartForm C2 Alloy, SAVE, BB30, internal cable routing, flat mount	Rear Derailleur	Shimano 105 GS
Fork	Full Carbon, SAVE, internal routing, 1-1/8" - 1 1/4" tapered steerer, flat mount, 55mm rake, 12x100 thru axle	Shifters	Shimano 105, 2x11
Rims	RD 2.0, 28h	Handlebar	Cannondale 3, 6061 alloy, Compact
Hubs	(F) Formula CRX-512, 100x12mm, (R) Formula CX-22, QR	Grips	Cannondale Grip Bar Tape w/Gel, 3.5mm
Spokes	Stainless steel, 14g	Stem	Cannondale 3, 6061 alloy, 31.8, 7°
Tires	Vittoria Zaffiro, 700 x 30c	Headset	FSA Sealed Bearing, Integrated, 1-1/4"-1-1/8"
Pedals	Not Included	Brakes	TRP Spyre-C cable actuated disc, 160/160mm rotors
Crank	FSA Gossamer alloy, BB30, 50/34	Brake Levers	Shimano 105
Bottom Bracket	Cannondale BB30	Saddle	Cannondale Stage Ergo
Chain	KMC X11, 11-speed	Seatpost	Cannondale 3, 6061 alloy, 25.4 x 350mm (44-56), 400mm (58-63)
Rear Cogs	Shimano 105, 11-34, 11-speed	Sizes	48, 51, 54, 56, 58, 61
Front Derailleur	Shimano 105, braze-on	Color 1	BBQ (BBQ)
		Color 2	Champagne (CHP)

Synapse Disc Sora



C12650M

Frame	SmartForm C2 Alloy, SAVE, BB30, internal cable routing, flat mount	Front Derailleur	Shimano Sora, braze-on
Fork	Full Carbon, SAVE, internal routing, 1-1/8" - 1 1/4" tapered steerer, flat mount, 55mm rake, 12x100 thru axle	Rear Derailleur	Shimano Sora GS
Rims	RD, 28h	Shifters	Shimano Sora, 2x9
Hubs	(F) Formula CRX-512 12x100 / (R) Alloy, sealed loose ball bearing, QR	Handlebar	6061 alloy, Compact
Spokes	Stainless steel, 14g	Grips	Cannondale Grip Bar Tape w/Gel, 3.5mm
Tires	Vittoria Zaffiro, 700 x 28c	Stem	Cannondale 4, 6061 alloy, 31.8, 7°
Pedals	Not Included	Headset	FSA Sealed Bearing, Integrated, 1-1/4"-1-1/8"
Crank	FSA Vero alloy, 50/34	Brakes	Promax Decoder R cable actuated disc, 160/160mm rotors
Bottom Bracket	FSA Cartridge	Brake Levers	Shimano Sora
Chain	KMC Z9, 9-speed	Saddle	Cannondale Stage Ergo
Rear Cogs	Shimano HG400, 11-34, 9-speed	Seatpost	Alloy Micro Adjust, 15mm setback, 27.2 x 350mm
		Sizes	48, 51, 54, 56, 58, 61
		Color 1	Sage Gray (SGG)

Synapse Disc Tiagra



C12600M

Frame	SmartForm C2 Alloy, SAVE, BB30, internal cable routing, flat mount	Rear Derailleur	Shimano Tiagra GS
Fork	Full Carbon, SAVE, internal routing, 1-1/8" - 1 1/4" tapered steerer, flat mount, 55mm rake, 12x100 thru axle	Shifters	Shimano Tiagra, 2x10
Rims	RD 3.0, 28h	Handlebar	6061 alloy, Compact
Hubs	(F) Formula CRX-512, 12x100 / (R) Formula DC-1422, QR	Grips	Cannondale Grip Bar Tape w/Gel, 3.5mm
Spokes	Stainless steel, 14g	Stem	Cannondale 4, 6061 alloy, 31.8, 7°
Tires	Vittoria Zaffiro, 700 x 28c	Headset	FSA Sealed Bearing, Integrated, 1-1/4"-1-1/8"
Pedals	Not Included	Brakes	Promax Decoder R cable actuated disc, 160/160mm rotors
Crank	FSA Omega alloy, 50/34	Brake Levers	Shimano Tiagra
Bottom Bracket	FSA Cartridge	Saddle	Cannondale Stage Ergo
Chain	KMC X10EL, 10-speed	Seatpost	6061 alloy, 25.4 x 350mm
Rear Cogs	Shimano HG500, 11-34, 10-speed	Sizes	48, 51, 54, 56, 58, 61
Front Derailleur	Shimano Tiagra, braze-on	Color 1	Midnight (MDN)
		Color 2	Emerald (EMR)

Synapse Disc Women's 105



C12550F

Frame	SmartForm C2 Alloy, SAVE, BB30, internal cable routing, flat mount	Front Derailleur	Shimano 105, braze-on
Fork	Full Carbon, SAVE, internal routing, 1-1/8" - 1 1/4" tapered steerer, flat mount, 55mm rake, 12x100 thru axle	Rear Derailleur	Shimano 105 GS
Rims	RD 2.0, 28h	Shifters	Shimano 105, 2x11
Hubs	(F) Formula CRX-512, 100x12mm, (R) Formula CX-22, QR	Handlebar	Cannondale 3, 6061 alloy, Compact
Spokes	Stainless steel, 14g	Grips	Cannondale Grip Bar Tape w/Gel, 3.5mm
Tires	Vittoria Zaffiro, 700 x 30c	Stem	Cannondale 3, 6061 alloy, 31.8, 7°
Pedals	Not Included	Headset	FSA Sealed Bearing, Integrated, 1-1/4"-1-1/8"
Crank	FSA Gossamer alloy, BB30, 50/34	Brakes	TRP Spyre-C cable actuated disc, 160/160mm rotors
Bottom Bracket	Cannondale BB30	Brake Levers	Shimano 105
Chain	KMC X11, 11-speed	Saddle	Cannondale Stage Ergo Women's
Rear Cogs	Shimano 105, 11-34, 11-speed	Seatpost	Cannondale 3, 6061 alloy, 25.4 x 350mm (46-56), 400mm (58-61)
		Sizes	44, 48, 51, 54
		Color 1	Black (BLK)

Synapse Disc Women's Sora



C12650F

Frame	SmartForm C2 Alloy, SAVE, BB30, internal cable routing, flat mount	Front Derailleur	Shimano Sora, braze-on
Fork	Full Carbon, SAVE, internal routing, 1-1/8" - 1 1/4" tapered steerer, flat mount, 55mm rake, 12x100 thru axle	Rear Derailleur	Shimano Sora GS
Rims	RD, 28h	Shifters	Shimano Sora, 2x9
Hubs	(F) Formula CRX-512 12x100 / (R) Alloy, sealed loose ball bearing, QR	Handlebar	6061 alloy, Compact
Spokes	Stainless steel, 14g	Grips	Cannondale Grip Bar Tape w/Gel, 3.5mm
Tires	Vittoria Zaffiro, 700 x 28c	Stem	Cannondale 4, 6061 alloy, 31.8, 7°
Pedals	Not Included	Headset	FSA Sealed Bearing, Integrated, 1-1/4"-1-1/8"
Crank	FSA Vero alloy, 50/34	Brakes	Promax Decoder R cable actuated disc, 160/160mm rotors
Bottom Bracket	FSA Cartridge	Brake Levers	Shimano Sora
Chain	KMC Z9, 9-speed	Saddle	Cannondale Stage Ergo Women's
Rear Cogs	Shimano HG400, 11-34, 9-speed	Seatpost	Alloy Micro Adjust, 15mm setback, 27.2 x 350mm
		Sizes	44, 48, 51, 54
		Color 1	Cashmere (CAS)

Synapse Disc Women's Tiagra



C12600F

Frame	SmartForm C2 Alloy, SAVE, BB30, internal cable routing, flat mount	Front Derailleur	Shimano Tiagra, braze-on
Fork	Full Carbon, SAVE, internal routing, 1-1/8" - 1 1/4" tapered steerer, flat mount, 55mm rake, 12x100 thru axle	Rear Derailleur	Shimano Tiagra GS
Rims	RD 3.0, 28h	Shifters	Shimano Tiagra, 2x10
Hubs	(F) Formula CRX-512, 12x100 / (R) Formula DC-1422, QR	Handlebar	6061 alloy, Compact
Spokes	Stainless steel, 14g	Grips	Cannondale Grip Bar Tape w/Gel, 3.5mm
Tires	Vittoria Zaffiro, 700 x 28c	Stem	Cannondale 4, 6061 alloy, 31.8, 7°
Pedals	Not Included	Headset	FSA Sealed Bearing, Integrated, 1-1/4"-1-1/8"
Crank	FSA Omega alloy, 50/34	Brakes	Promax Decoder R cable actuated disc, 160/160mm rotors
Bottom Bracket	FSA Cartridge	Brake Levers	Shimano Tiagra
Chain	KMC X10EL, 10-speed	Saddle	Cannondale Stage Ergo Women's
Rear Cogs	Shimano HG500, 11-34, 10-speed	Seatpost	6061 alloy, 25.4 x 350mm
		Sizes	44, 48, 51, 54
		Color 1	Crush (CRU)



More Give. More Go.

An unprecedented gravel bike with real suspension. The most capable off-road, the most comfortable on-road.

Key Benefits

▫ KingPin Suspension System

Revolutionary, super-light suspension that lets you ride harder on dirt and more smoothly on pavement. Better control. Better traction. Better comfort. Nothing sacrificed.

▫ It's Easier to Go Harder

Refined geometry and rider position deliver an experience that's stable, composed and comfortable without losing that spark. Go further, ride longer, charge harder.

▫ The Last Detail

We thought of everything. Big clearance for big tires. Tons of gear and storage mounts. Speed Release thru-axles. DirectLine cable routing. Internal dropper post compatibility. In short, the works.

Category

Road | Gravel

Sizes

XS, S, M, L, XL

Wheel / Tire Size

700 x37c

Topstone Carbon Force eTap AXS



C15200M

Frame	All-New, BallisTec Carbon, Kingpin suspension system, Proportional Response size-specific construction, Directline internal cable routing, BB30-83 Ai, 142x12 Speed Release thru-axle, flat-mount disc, removable fender bridge, multiple gear/bottle mounts, dropper post compatible	Chain	SRAM Force eTap AXS, 12-speed
Fork	All-New, BallisTec Carbon, 55mm OutFront offset, SAVE, 1-1/8" to 1.5" steerer, integrated crown race, Directline internal routing, 12x100mm Speed Release thru-axle, flat mount disc, gear/rack/fender mounts	Rear Cogs	SRAM XG-1270, 10-33, 12-speed
Rims	HollowGram 22 Carbon, 22mm deep, 25mm ID, tubeless ready	Front Derailleur	SRAM Force eTap AXS, braze-on
Hubs	(F) HollowGram Sealed Bearing, straight pull, 12x100 / (R) HollowGram 142x12 rear w/DT internals, Centerlock	Rear Derailleur	SRAM Force eTap AXS
Spokes	HollowGram, double-butted straight pull (Ai Offset Dish - rear)	Shifters	SRAM Force eTap AXS HRD, 2x12
Tires	WTB Riddler TCS Light, 700 x 37c, tubeless ready	Handlebar	HollowGram SAVE Carbon, 400mm (S), 420mm (M-L)
Pedals	Not Included	Grips	Cannondale Grip Bar Tape w/Gel, 3.5mm
Crank	SRAM Force eTap AXS, 46/33	Stem	All-New HollowGram SAVE, alloy, -6°
Bottom Bracket	Cannondale Alloy BB30	Headset	Integrated, 1.5" lower to 1-1/8" upper w/ reducer, 25mm Alloy top cap
		Brakes	SRAM Force eTap AXS, 160/160mm Centerline, Centerlock rotors
		Brake Levers	SRAM Force eTap AXS
		Saddle	Fabric Scoop Shallow Race, titanium rails
		Seatpost	SAVE Carbon, 27.2 x 350mm (XS-L), 400mm (XL)
		Connectivity	Wheel Sensor
		Sizes	XS, S, M, L, XL
		Color 1	Acid Red (ARD)

Topstone Carbon Ultegra RX 2



C15300M

Frame	All-New, BallisTec Carbon, Kingpin suspension system, Proportional Response size-specific construction, Directline internal cable routing, BB30-83 Ai, 142x12 Speed Release thru-axle, flat-mount disc, removable fender bridge, multiple gear/bottle mounts, dropper post compatible	Chain	Shimano HG601, 11-speed
Fork	All-New, BallisTec Carbon, 55mm OutFront offset, SAVE, 1-1/8" to 1.5" steerer, integrated crown race, Directline internal routing, 12x100mm Speed Release thru-axle, flat mount disc, gear/rack/fender mounts	Rear Cogs	Shimano 105, 11-34, 11-speed
Rims	WTB KOM Light i23 TCS, 28h, tubeless ready	Front Derailleur	Shimano Ultegra, braze-on
Hubs	(F) Formula CL-712, 12x100 centerlock / (R) Formula RXC-400, 12x142 centerlock	Rear Derailleur	Shimano Ultegra RX GS Shadow Plus
Spokes	Stainless Steel, 14g (Ai Offset Dish - rear)	Shifters	Shimano Ultegra hydro disc, 2x11
Tires	WTB Riddler TCS Light, 700 x 37c, tubeless ready	Handlebar	Cannondale 3, butted 6061 alloy, 16 deg flare drop
Pedals	Not Included	Grips	Cannondale Grip Bar Tape w/Gel, 3.5mm
Crank	Cannondale 1, BB30a, FSA rings, 46/30	Stem	Cannondale 2, 6061 alloy, 31.8, 6°
Bottom Bracket	Cannondale Alloy PressFit30	Headset	Integrated, 1.5" lower to 1-1/8" upper w/ reducer, 25mm Alloy top cap
		Brakes	Shimano Ultegra hydro disc, 160/160mm RT54 rotors
		Brake Levers	Shimano Ultegra hydro disc
		Saddle	Fabric Scoop Radius Elite, cro-mo rails
		Seatpost	Cannondale 2, carbon, 27.2 x 350mm
		Connectivity	Wheel Sensor
		Sizes	XS, S, M, L, XL
		Color 1	Agave (AGV)

Topstone Carbon Ultegra RX



C15300M

Frame	All-New, BallisTec Carbon, Kingpin suspension system, Proportional Response size-specific construction, Directline internal cable routing, BB30-83 Ai, 142x12 Speed Release thru-axle, flat-mount disc, removable fender bridge, multiple gear/bottle mounts, dropper post compatible	Chain	Shimano HG601 11-speed
Fork	All-New, BallisTec Carbon, 55mm OutFront offset, SAVE, 1-1/8" to 1.5" steerer, integrated crown race, Directline internal routing, 12x100mm Speed Release thru-axle, flat mount disc, gear/rack/fender mounts	Rear Cogs	Shimano Ultegra, 11-34, 11-speed
Rims	HollowGram 22, 22mm deep, 25mm ID, tubeless ready	Front Derailleur	Shimano Ultegra, braze-on
Hubs	(F) HollowGram Sealed Bearing, straight pull, 12x100 / (R) HollowGram 142x12 rear w/DT internals, Centerlock	Rear Derailleur	Shimano Ultegra RX
Spokes	Stainless steel, 14g	Shifters	Shimano Ultegra hydro disc, 2x11
Tires	WTB Riddler TCS Light, 700 x 37c, tubeless ready	Handlebar	Cannondale 3, butted 6061 alloy, 16 deg flare drop
Pedals	Not Included	Grips	Cannondale Grip Bar Tape w/Gel, 3.5mm
Crank	Cannondale 1, BB30a, FSA rings, 46/30	Stem	Cannondale 3, 6061 alloy, 7°
Bottom Bracket	FSA Cartridge	Headset	Topstone Si, 25mm Alloy top cap
		Brakes	Shimano Ultegra hydro disc, 160/160mm RT54 rotors
		Brake Levers	Shimano Ultegra hydro disc
		Saddle	Fabric Scoop Radius Sport, steel rails
		Seatpost	Cannondale C3, 6061 Alloy, 27.2 x 350mm (44-56), 400mm (58-63)
		Connectivity	Wheel Sensor
		Sizes	XS, SM, MD, LG, XL
		Color 1	Midnight (MDN)

Topstone Ultegra



C15350M

Frame	SmartForm C2 Alloy, 142x12 thru-axle, tapered headtube, flat mount disc, StraightShot internal cable routing, multiple gear/bottle mounts	Front Derailleur	Shimano Ultegra, braze-on
Fork	Full Carbon, 1-1/8" to 1-1/4" steerer, 55mm OutFront offset, flat mount disc, internal routing, 12x100 thru axle	Rear Derailleur	Shimano Ultegra RX GS Shadow Plus
Rims	WTB KOM Light i23 TCS, 28h, tubeless ready	Shifters	Shimano Ultegra hydro disc, 2x11
Hubs	(F) Formula CL-712, 12x100 centerlock (R) Formula RXC-142S	Handlebar	Cannondale 3, butted 6061 alloy, 16 deg flare drop
Spokes	Stainless steel, 14g	Grips	Cannondale Grip Bar Tape w/Gel, 3.5mm
Tires	WTB Nano TCS Light, 700 x 40c, tubeless ready	Stem	Cannondale 3, 6061 alloy, 7°
Pedals	Not Included	Headset	Topstone Si, 25mm Alloy top cap
Crank	FSA Omega ME Alloy, 46/30	Brakes	Shimano Ultegra hydro disc, 160/160mm RT54 rotors
Bottom Bracket	FSA Cartridge	Brake Levers	Shimano Ultegra hydro disc
Chain	KMC X11, 11-speed	Saddle	Fabric Scoop Radius Sport, steel rails
Rear Cogs	Shimano Ultegra, 11-34, 11-speed	Seatpost	Cannondale C3, 6061 Alloy, 27.2 x 350mm (44-56), 400mm (58-63)
		Sizes	XS, SM, MD, LG, XL
		Color 1	Black Pearl (BPL)

Topstone Carbon 105



C15600M

Frame	All-New, BallisTec Carbon, Kingpin suspension system, Proportional Response size-specific construction, Directline internal cable routing, BB30-83 Ai, 142x12 Speed Release thru-axle, flat-mount disc, removable fender bridge, multiple gear/bottle mounts, dropper post compatible	Chain	KMC X11, 11-speed
Fork	All-New, BallisTec Carbon, 55mm OutFront offset, SAVE, 1-1/8" to 1.5" steerer, integrated crown race, Directline internal routing, 12x100mm Speed Release thru-axle, flat mount disc, gear/rack/fender mounts	Rear Cogs	Shimano 105, 11-34, 11-speed
Rims	WTB ST i23 TCS, 28h, tubeless ready	Front Derailleur	Shimano 105, braze-on
Hubs	(F) Formula CL-712, 12x100 centerlock / (R) Formula RXC-400, 12x142 centerlock	Rear Derailleur	Shimano 105 GS
Spokes	Stainless Steel, 14g (Ai Offset Dish - rear)	Shifters	Shimano 105 hydro disc, 2x11
Tires	WTB Riddler TCS Light, 700 x 37c, tubeless ready	Handlebar	Cannondale 3, butted 6061 alloy, 16 deg flare drop
Pedals	Not Included	Grips	Cannondale Grip Bar Tape w/Gel, 3.5mm
Crank	Cannondale 1, BB30a, FSA rings, 46/30	Stem	Cannondale 3, 6061 alloy, 31.8, 7°
Bottom Bracket	Cannondale Alloy PressFit30	Headset	Integrated, 1.5" lower to 1-1/8" upper w/ reducer, 25mm Alloy top cap
		Brakes	Shimano 105 hydro disc, 160/160mm RT30 rotors
		Brake Levers	Shimano 105 hydro disc
		Saddle	Fabric Scoop Shallow Sport, steel rails
		Seatpost	Cannondale 3, 6061 alloy, 27.2 x 350mm
		Connectivity	Wheel Sensor
		Sizes	XS, S, M, L, XL
		Color 1	Black Pearl (BPL)

Topstone Carbon Women's Ultegra RX 2



C15500F

Frame	All-New, BallisTec Carbon, Kingpin suspension system, Proportional Response size-specific construction, Directline internal cable routing, BB30-83 Ai, 142x12 Speed Release thru-axle, flat-mount disc, removable fender bridge, multiple gear/bottle mounts, dropper post compatible	Chain	Shimano HG601, 11-speed
Fork	All-New, BallisTec Carbon, 55mm OutFront offset, SAVE, 1-1/8" to 1.5" steerer, integrated crown race, Directline internal routing, 12x100mm Speed Release thru-axle, flat mount disc, gear/rack/fender mounts	Rear Cogs	Shimano 105, 11-34, 11-speed
Rims	WTB KOM Light i23 TCS, 28h, tubeless ready	Front Derailleur	Shimano Ultegra, braze-on
Hubs	(F) Formula CL-712, 12x100 centerlock / (R) Formula RXC-400, 12x142 centerlock	Rear Derailleur	Shimano Ultegra RX GS Shadow Plus
Spokes	Stainless Steel, 14g (Ai Offset Dish - rear)	Shifters	Shimano Ultegra hydro disc, 2x11
Tires	WTB Riddler TCS Light, 700 x 37c, tubeless ready	Handlebar	Cannondale 3, butted 6061 alloy, 16 deg flare drop
Pedals	Not Included	Grips	Cannondale Grip Bar Tape w/Gel, 3.5mm
Crank	Cannondale 1, BB30a, FSA rings, 46/30	Stem	Cannondale 2, 6061 alloy, 31.8, 6°
Bottom Bracket	Cannondale Alloy PressFit30	Headset	Integrated, 1.5" lower to 1-1/8" upper w/ reducer, 25mm Alloy top cap
		Brakes	Shimano Ultegra hydro disc, 160/160mm RT54 rotors
		Brake Levers	Shimano Ultegra hydro disc
		Saddle	Fabric Scoop Flat Elite, cro-mo rails
		Seatpost	Cannondale 2, carbon, 27.2 x 350mm
		Connectivity	Wheel Sensor
		Sizes	XS, S, M
		Color 1	Black Pearl (BPL)

Born to Roll and Roam



A capable, versatile gravel road bike. Built for chasing horizons, exploring routes less travelled or accelerating your commute.

Key Benefits

- **Confident Control**
A balanced riding position: upright enough for comfort over the long haul and control on technical terrain, yet still low and forward enough for speedy efficiency.
- **Smooth and Able**
Built with plenty of room for tires up to 42mm wide, for comfort, grip and adventurous capability.
- **Ready for Adventure**
With mounts for three waterbottles, plus mounts for top tube storage, Topstone is ready to go long. Multiple bottle cage positions on the downtube mount let you configure for big frame bags.

Category

Road | Gravel

Sizes

XS, S, M, L, XL

Wheel / Tire Size

700 x40c

Topstone Tiagra



C15860M

Frame	SmartForm C2 Alloy, 142x12 thru-axle, tapered headtube, flat mount disc, StraightShot internal cable routing, multiple gear/bottle mounts	Front Derailleur	Shimano Tiagra braze-on
Fork	Full Carbon, 1-1/8" to 1-1/4" steerer, 55mm OutFront offset, flat mount disc, internal routing, 12x100 thru axle	Rear Derailleur	Shimano Tiagra GS
Rims	WTB ST i23 TCS, 28h, tubeless ready	Shifters	Shimano Tiagra hydro disc, 2x10
Hubs	(F) Formula CL-712, 12x100 centerlock (R) Formula RXC-400	Handlebar	Cannondale 3, butted 6061 alloy, 16 deg flare drop
Spokes	Stainless steel, 14g	Grips	Cannondale Grip Bar Tape w/Gel, 3.5mm
Tires	WTB Riddler TCS Light, 700 x 37c, tubeless ready	Stem	Cannondale 3, 6061 alloy, 7°
Pedals	Not Included	Headset	Topstone Si, 25mm Alloy top cap
Crank	TBD	Brakes	Shimano Tiagra hydro disc, 160/160mm RT54 rotors
Bottom Bracket	FSA Cartridge	Brake Levers	Shimano Tiagra hydro disc
Chain	KMC X10, 10-speed	Saddle	Fabric Scoop Radius Sport, steel rails
Rear Cogs	Shimano HG500, 11-34, 10-speed	Seatpost	Cannondale C3, 6061 Alloy, 27.2 x 350mm (44-56), 400mm (58-63)
		Sizes	XS, SM, MD, LG, XL
		Color 1	Gray (GRY)

Topstone Sora



C15800M

Frame	SmartForm C2 Alloy, 142x12 thru-axle, tapered headtube, flat mount disc, StraightShot internal cable routing, multiple gear/bottle mounts	Front Derailleur	Shimano Sora, 31.8 clamp
Fork	Full Carbon, 1-1/8" to 1-1/4" steerer, 55mm OutFront offset, flat mount disc, internal routing, 12x100 thru axle	Rear Derailleur	Shimano Sora
Rims	RD 2.0, 28h	Shifters	Shimano Sora, 2x9
Hubs	(F) Formula RX-512 12x100 / (R) Formula RX-142 12x142	Handlebar	Cannondale 3, butted 6061 Alloy, 16 deg flare drop
Spokes	Stainless steel, 14g	Grips	Cannondale Grip Bar Tape w/Gel, 3.5mm
Tires	WTB Riddler Comp, 700 x 37c	Stem	Cannondale 4, 6061 Alloy, 31.8, 6°
Pedals	Not Included	Headset	Topstone Si, 25mm Alloy top cap
Crank	FSA Tempo Adventure, 46/30	Brakes	Promax Decoder R cable actuated disc, 160/160mm rotors
Bottom Bracket	FSA Cartridge	Brake Levers	Shimano Sora
Chain	KMC Z9, 9-speed	Saddle	Cannondale Stage Ergo
Rear Cogs	Sunrace, 11-34, 9-speed	Seatpost	Cannondale 4, 6061 Alloy, 27.2 x 400mm
		Sizes	S, M, L, XL
		Color 1	Mantis (MAT)

Topstone 105



C15700M

Frame	SmartForm C2 Alloy, 142x12 thru-axle, tapered headtube, flat mount disc, StraightShot internal cable routing, multiple gear/bottle mounts	Front Derailleur	Shimano 105, 31.8 clamp
Fork	Full Carbon, 1-1/8" to 1-1/4" steerer, 55mm OutFront offset, flat mount disc, internal routing, 12x100 thru axle	Rear Derailleur	Shimano 105 GS
Rims	WTB ST i23 TCS, 28h, tubeless ready	Shifters	Shimano 105 hydro disc, 2x11
Hubs	(F) Formula RX-512, 12x100 centerlock / (R) Formula RX-142, 12x142 centerlock	Handlebar	Cannondale 3, butted 6061 alloy, 16 deg flare drop
Spokes	Stainless Steel, 14g	Grips	Cannondale Grip Bar Tape w/Gel, 3.5mm
Tires	WTB Riddler TCS Light, 700 x 37c, tubeless ready	Stem	Cannondale 3, 6061 alloy, 31.8, 7°
Pedals	Not Included	Headset	Topstone Si, 25mm Alloy top cap
Crank	FSA Omega ME alloy, 46/30	Brakes	Shimano 105 hydro disc, 160/160mm RT56 rotors
Bottom Bracket	FSA Omega	Brake Levers	Shimano 105 hydro disc
Chain	KMC X11, 11-speed	Saddle	Fabric Scoop Radius Sport, steel rails
Rear Cogs	Shimano 105, 11-34, 11-speed	Seatpost	Cannondale 3, 6061 Alloy, 27.2 x 350mm
		Sizes	S, M, L, XL
		Color 1	Graphite (GRA)
		Color 2	Quicksand (QSD)

Topstone Women's 105



C15700F

Frame	SmartForm C2 Alloy, 142x12 thru-axle, tapered headtube, flat mount disc, StraightShot internal cable routing, multiple gear/bottle mounts	Rear Cogs	Shimano 105, 11-34, 11-speed
Fork	Full Carbon, 1-1/8" to 1-1/4" steerer, 55mm OutFront offset, flat mount disc, internal routing, 12x100 thru axle	Front Derailleur	Shimano 105, 31.8 clamp
Rims	WTB ST i23 TCS, 28h, tubeless ready	Rear Derailleur	Shimano 105 GS
Hubs	(F) Formula RX-512, 12x100 centerlock / (R) Formula RX-142, 12x142 centerlock	Shifters	Shimano 105 hydro disc, 2x11
Spokes	Stainless Steel, 14g	Handlebar	Cannondale 3, butted 6061 alloy, 16 deg flare drop
Tires	WTB Riddler TCS Light, 700 x 37c, tubeless ready	Grips	Cannondale Grip Bar Tape w/Gel, 3.5mm
Pedals	Not Included	Stem	Cannondale 3, 6061 alloy, 31.8, 7°
Crank	FSA Omega ME alloy, 46/30	Headset	Topstone Si, 25mm Alloy top cap
Bottom Bracket	FSA Omega	Brakes	Shimano 105 hydro disc, 160/160mm RT56 rotors
Chain	KMC X11, 11-speed	Brake Levers	Shimano 105 hydro disc
		Saddle	Fabric Scoop Women's Sport, 155mm width, steel rails
		Seatpost	Cannondale 3, 6061 alloy, 27.2 x 350mm
		Sizes	S, M, L, XL
		Color 1	Agave (AGV)



Incredibly confident handling, unmatched traction, and huge mud & tire clearance make this ultra-light machine the ultimate 'cross racing rig.

Key Benefits

- **The Ai Advantage**
Proprietary Ai offset drivetrain delivers super short chainstays for climb-winning traction and agile handling, with huge clearance for mud and/or tires up to 40mm.
- **Stay OutFront.**
OutFront Steering Geometry offers great stability for technical descents and great agility everywhere else. Just what you need to rule today's 'cross courses.
- **Smooth as a Belgian Beer**
SAVE Micro-Suspension features in the rear triangle and fork helps you track through the rough stuff and keep the power down on climbs.

Category

Road | Cyclocross

Sizes

Women's:
46, 51, 54

Men's:
46, 51, 54, 56, 58, 61

Wheel / Tire Size

700 x33c (up to
40mm measured)

SuperX Force eTap AXS



C17100M

Frame	BallisTec Carbon, SAVE, BB30-83 Ai, internal cable routing, flat mount disc, 12x142 thru-axle	Front Derailleur	SRAM Force eTap AXS, braze-on
Fork	BallisTec Carbon, 1-1/8" to 1.5" steerer, internal cable routing, 12x100mm thru-axle, 55mm OutFront offset	Rear Derailleur	SRAM Force eTap AXS
Rims	HollowGram 45 KNØT, Carbon, 28h, 45mm deep, 21mm ID, tubeless ready	Shifters	SRAM Force eTap AXS HRD, 2x12
Hubs	(F) Sealed bearing 12x100 centerlock / (R) 12x142 centerlock w/ DT Swiss internals	Handlebar	HollowGram SAVE Carbon, 400mm (S), 420mm (M-L)
Spokes	DT Swiss Aerolite (Ai Offset Dish - rear)	Grips	Cannondale Grip Bar Tape w/Gel, 3.5mm
Tires	Vittoria Terreno Dry TNT, 700x38c, tubeless ready	Stem	All-New HollowGram SAVE, alloy, -6°
Pedals	Not Included	Headset	SuperX, 1.5" lower to 1-1/8" upper w/ reducer, 25mm Alloy top cap
Crank	SRAM Force eTap AXS, 46/33	Brakes	SRAM Force eTap AXS, 160/160mm Centerlock rotors
Bottom Bracket	Cannondale Alloy PressFit30	Brake Levers	SRAM Force eTap AXS
Chain	SRAM Force eTap AXS, 12-speed	Saddle	Fabric Scoop Shallow Race, titanium rails
Rear Cogs	SRAM XG-1270, 10-33, 12-speed	Seatpost	SAVE Carbon, 25.4 x 350mm (44-56), 400mm (58-63)
		Connectivity	Wheel Sensor
		Sizes	46, 51, 54, 56, 58, 61
		Color 1	Mantis (MAT)

SuperX GRX



C17300M

Frame	BallisTec Carbon, SAVE, BB30-83 Ai, internal cable routing, flat mount disc, 12x142 thru-axle	Rear Derailleur	Shimano Ultegra RX
Fork	BallisTec Carbon, 1-1/8" to 1.5" steerer, internal cable routing, 12x100mm thru-axle, 55mm OutFront offset	Shifters	Shimano GRX RX600 hydro disc
Rims	CX 2.0, 28h front, 28h rear	Handlebar	Cannondale 3, 6061 alloy, Compact
Hubs	(F) Formula RX-512 12x100 / (R) Formula RX-142 12x142	Grips	Cannondale Grip Bar Tape w/Gel, 3.5mm
Spokes	Stainless steel, 14g	Stem	Cannondale 3, 6061 alloy, 7-degree
Tires	Vittoria Terreno Mix TNT, 700 x 33c, tubeless ready	Headset	SuperX, 1.5" lower to 1-1/8" upper w/ reducer, 25mm Alloy top cap
Pedals	Not Included	Brakes	Shimano hydro disc, 160/160mm RT56 rotors
Crank	Cannondale 1, BB30a w/ FSA ring, 40T	Brake Levers	Shimano 105
Bottom Bracket	Cannondale Alloy PressFit30	Saddle	Fabric Scoop Shallow Sport, steel rails
Chain	Shimano HG601, 11-speed	Seatpost	Cannondale 3, 6061 Alloy, 25.4 x 350mm (46-56), 400mm (58-61)
Rear Cogs	Shimano 105, 11-34, 11-speed	Sizes	46, 51, 54, 56, 58, 61
		Color 1	Black Pearl (BPL)

SuperX Force 1



C17200M

Frame	BallisTec Carbon, SAVE, BB30-83 Ai, internal cable routing, flat mount disc, 12x142 thru-axle	Rear Cogs	SRAM PG-1130, 11-36, 11-speed
Fork	BallisTec Carbon, 1-1/8" to 1.5" steerer, internal cable routing, 12x100mm thru-axle, 55mm OutFront offset	Rear Derailleur	SRAM Force 1, Long Cage
Rims	CX 2.0, 28h front, 28h rear	Shifters	SRAM Force 1, 11-speed
Hubs	(F) Formula CL-712, 12x100 centerlock / (R) RXC-142S, 12x142 centerlock	Handlebar	Cannondale 2, 7050 Alloy, Compact
Spokes	Stainless steel, 14g	Grips	Cannondale Grip Bar Tape w/Gel, 3.5mm
Tires	Vittoria Terreno Mix TNT, 700 x 33c, tubeless ready	Stem	Cannondale 2, 6061 Alloy, 31.8, 7°
Pedals	Not Included	Headset	SuperX, 1.5" lower to 1-1/8" upper w/ reducer, 25mm Alloy top cap
Crank	HollowGram, BB30a w/ OPI SpideRing, 40T	Brakes	SRAM Force 1 HRD, 160/160mm Centerlock rotors
Bottom Bracket	Cannondale Alloy PressFit30	Brake Levers	SRAM Force
Chain	SRAM PC-1130, 11-speed	Saddle	Fabric Scoop Flat Elite, cro-mo rails
		Seatpost	Cannondale 2, UD Carbon, 25.4 x 350mm
		Sizes	46, 51, 54, 56, 58, 61
		Color 1	Nuclear Yellow (NYW)

SuperX Women's Force 1



C17200F

Frame	BallisTec Carbon, SAVE, BB30-83 Ai, internal cable routing, flat mount disc, 12x142 thru-axle	Rear Cogs	SRAM PG-1130, 11-36, 11-speed
Fork	BallisTec Carbon, 1-1/8" to 1.5" steerer, internal cable routing, 12x100mm thru-axle, 55mm OutFront offset	Rear Derailleur	SRAM Force 1, Long Cage
Rims	CX 2.0, 28h front, 28h rear	Shifters	SRAM Force 1, 11-speed
Hubs	(F) Formula CL-712, 12x100 centerlock / (R) RXC-142S, 12x142 centerlock	Handlebar	Cannondale 2, 7050 Alloy, Compact
Spokes	Stainless steel, 14g	Grips	Cannondale Grip Bar Tape w/Gel, 3.5mm
Tires	Vittoria Terreno Mix TNT, 700 x 33c, tubeless ready	Stem	Cannondale 2, 6061 Alloy, 31.8, 7°
Pedals	Not Included	Headset	SuperX, 1.5" lower to 1-1/8" upper w/ reducer, 25mm Alloy top cap
Crank	HollowGram, BB30a w/ OPI SpideRing, 40T	Brakes	SRAM Force 1 HRD, 160/160mm Centerlock rotors
Bottom Bracket	Cannondale Alloy PressFit30	Brake Levers	SRAM Force
Chain	SRAM PC-1130, 11-speed	Saddle	Fabric Scoop Flat Elite, cro-mo rails
		Seatpost	Cannondale 2, UD Carbon, 25.4 x 350mm
		Sizes	46, 51, 54
		Color 1	Champagne (CHP)

CAADX

'Cross Trainer



The perfect first cyclocross bike, back-up pit bike, super-commuter or all-road adventurer. No limits.

Key Benefits

- **SuperX DNA**
Though the CAADX is a value, its lineage is prestigious, sharing the same geometry as the race-proven cyclocross champion, the SuperX.
- **Stay OutFront.**
OutFront Steering Geometry offers great stability for technical descents and great agility everywhere else. Just what you need to rule today's 'cross courses.
- **Smooth as a Belgian Beer**
SAVE Micro-Suspension features in the rear triangle and fork helps you track through the rough stuff and keep the power down on climbs.

Category	Sizes	Wheel / Tire Size
Road Cyclocross	46, 51, 54, 56, 58, 61	700 x33-37c

CAADX 105



C16200M

Frame	SmartForm C2 Alloy, BB30, flat mount disc	Rear Derailleur	Shimano 105 GS
Fork	Full Carbon, 1-1/8" to 1-1/4" steerer, internal routing, 55mm OutFront offset, flat mount disc, 12x100 thru axle	Shifters	Shimano 105 hydro disc, 2x11
Rims	CX 2.0, 28h	Handlebar	Cannondale 3, 6061 alloy, Compact
Hubs	(F) Formula RX-512 12x100 / (R) Formula CX-22 QR	Grips	Cannondale Grip Bar Tape w/Gel, 3.5mm
Spokes	Stainless steel, 14g	Stem	Cannondale 3, 6061 alloy, 31.8, 7°
Tires	Schwalbe CX Comp, 700 x 35c, K-Guard, tubeless ready	Headset	CAADX, 1-1/4" lower bearing, 25mm top cap
Pedals	Wellgo w/ Clip and Strap	Brakes	Shimano 105 hydro disc, 160/160mm RT56 rotors
Crank	FSA Omega alloy, 46/36	Brake Levers	Shimano 105 hydro disc
Bottom Bracket	Cannondale BB30	Saddle	Cannondale Stage CX
Chain	KMC X11, 11-speed	Seatpost	6061 alloy, 25.4 x 350mm (44-56), 400mm (58-61)
Rear Cogs	Shimano 105, 11-34, 11-speed	Sizes	46, 51, 54, 56, 58, 61
Front Derailleur	Shimano 105, 31.8 clamp	Color 1	Black Pearl (BPL)

CAADX Tiagra

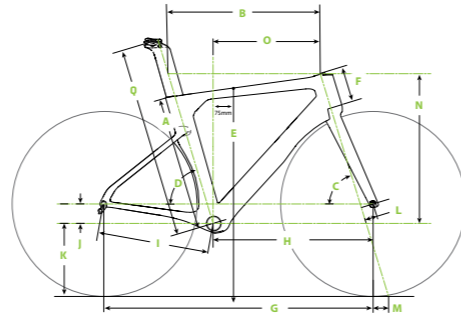


C16300M

Frame	SmartForm C2 Alloy, BB30, flat mount disc	Rear Derailleur	Shimano Tiagra GS
Fork	Full Carbon, 1-1/8" to 1-1/4" steerer, internal routing, 55mm OutFront offset, flat mount disc, 12x100 thru axle	Shifters	Shimano Tiagra, 2x10
Rims	CX 2.0, 28h	Handlebar	6061 alloy, Compact
Hubs	(F) Formula RX-512 12x100 / (R) Formula DC-1422 QR	Grips	Cannondale Grip Bar Tape w/Gel, 3.5mm
Spokes	Stainless steel, 14g	Stem	Cannondale 4, 6061 alloy, 31.8, 7°
Tires	Schwalbe CX Comp, 700 x 35c, K-Guard, tubeless ready	Headset	CAADX, 1-1/4" lower bearing, 25mm top cap
Pedals	Wellgo w/ Clip and Strap	Brakes	Tektro cable actuated disc, 160/160mm
Crank	FSA Omega alloy, 46/36	Brake Levers	Shimano Tiagra
Bottom Bracket	Cannondale BB30	Saddle	Cannondale Stage Ergo
Chain	KMC X10, 10-speed	Seatpost	6061 alloy, 25.4 x 350mm (44-56), 400mm (58-61)
Rear Cogs	Shimano HG500, 11-34, 10-speed	Sizes	46, 51, 54, 56, 58, 61
Front Derailleur	Shimano Tiagra, 31.8 clamp	Color 1	Emerald (EMR)

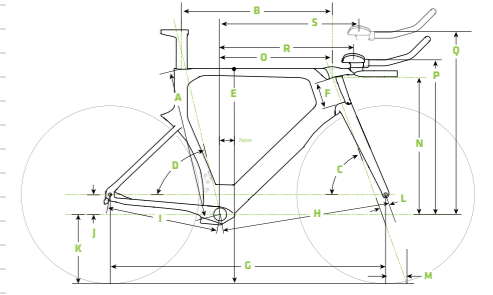
SystemSix

	47	51	54	56	58	60	62
A Seat Tube Length (cm)	38.5	43.3	48.2	53.0	55.3	57.7	60.0
B Top Tube Horizontal (cm)	51.4	52.9	54.4	56	57.6	59.2	60.9
C Head Tube Angle	71.2°	71.2°	73.0°	73.0°	73.0°	72.9°	72.9°
D Seat Tube Angle	75.1°	74.7°	74.3°	73.9°	73.5°	73.1°	72.7°
E Standover (cm)	68.0	72.3	76.2	79.8	82.1	84.3	86.3
F Head Tube Length (cm)	8.8	11.4	12.8	14.9	17.2	19.3	21.4
G Wheelbase (cm)	97.4	98.9	97.5	98.7	100	101.2	102.4
H Front Center (cm)	58.2	59.5	58.1	59.3	60.5	61.7	62.9
I Chain Stay Length (cm)	40.5	40.5	40.5	40.5	40.5	40.5	40.5
J Bottom Bracket Drop (cm)	7.9	7.4	7.2	7.2	6.9	6.9	6.9
K Bottom Bracket Height (cm)	26.1	26.6	26.9	26.9	27.1	27.1	27.1
L Fork Rake (cm)	5.5	5.5	4.5	4.5	4.5	4.5	4.5
M Trail (cm)	5.8	5.8	5.7	5.7	5.7	5.8	5.8
N Stack (cm)	50	52	54	56	58	60	62
O Reach (cm)	37.5	38.1	38.6	39.2	39.8	40.3	40.9



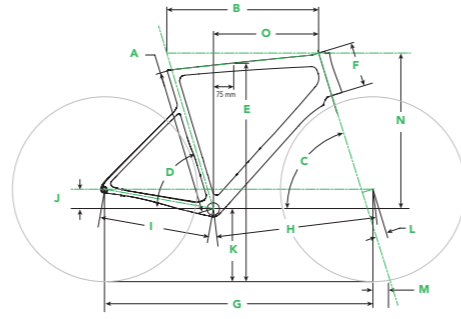
SuperSlice

	50	52	54	56	58
A Seat Tube Length (cm)	51.8	53.6	55.4	57.8	59.7
B Top Tube Horizontal (cm)	51.5	52.9	54.1	56.4	57.7
C Head Tube Angle	71.5°	*	*	*	*
D Seat Tube Angle	77.0°	*	*	*	*
E Standover (cm)	75.9	77.9	79.9	81.9	83.9
F Head Tube Length (cm)	5.6	7.7	9.8	11.9	14.0
G Wheelbase (cm)	99.7	101.3	102.7	105.2	106.7
H Front Center (cm)	59.4	61	62.4	64.9	65.4
I Chain Stay Length (cm)	41.4	*	*	*	*
J Bottom Bracket Drop (cm)	7.3	*	*	*	*
K Bottom Bracket Height (cm)	26.9	*	*	*	*
L Fork Rake (cm)	4.8	*	*	*	*
M Trail (cm)	6.4	*	*	*	*
N Stack (cm)	46.5	48.5	50.4	52.4	54.4
O Reach (cm)	40.8	41.7	42.5	44.3	45.1



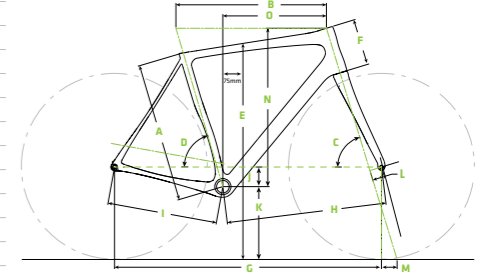
SuperSix EVO

	44	48	51	54	56	58	60	62
A Seat Tube Length (cm)	40.0	43.8	47.7	51.5	53.6	55.8	57.9	60.0
B Top Tube Horizontal (cm)	51.2	52.0	52.8	54.6	56.2	57.8	59.4	61.1
C Head Tube Angle	70.9°	71.2°	71.2°	71.2°	73.0°	73.0°	73.0°	73.0°
D Seat Tube Angle	74.3°	74.3°	74.3°	73.7°	73.3°	72.9°	72.5°	72.1°
E Standover (cm)	69.8	72.6	75.6	78.8	80.8	83.1	85.0	87.0
F Head Tube Length (cm)	9.9	11.4	13.0	15.3	16.4	18.8	20.9	23.0
G Wheelbase (cm)	97.9	98.5	99.4	100	99.2	100.5	101.6	102.8
H Front Center (cm)	58.2	58.8	59.7	61.1	59.5	60.7	61.8	63.0
I Chain Stay Length (cm)	40.8	40.8	40.8	40.8	40.8	40.8	40.8	40.8
J Bottom Bracket Drop (cm)	7.4	7.4	7.4	7.2	7.2	6.9	6.9	6.9
K Bottom Bracket Height (cm)	26.8	26.8	26.8	27.1	27.1	27.3	27.3	27.3
L Fork Rake (cm)	5.5	5.5	5.5	5.5	4.5	4.5	4.5	4.5
M Trail (cm)	6.0	5.8	5.8	5.8	5.8	5.8	5.8	5.8
N Stack (cm)	50.4	51.9	53.4	55.4	57.4	59.4	61.4	63.4
O Reach (cm)	37.0	37.4	37.8	38.4	39.0	39.5	40.0	40.6



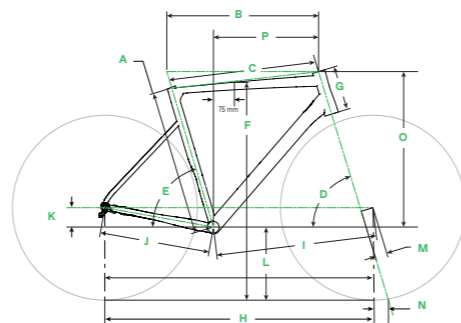
Synapse Carbon

	44	48	51	54	56	58	61
A Seat Tube Length (cm)	37.0	40.7	44.3	48.0	52.0	55.0	59.0
B Top Tube Horizontal (cm)	50.5	51.7	53.1	54.7	56.1	57.9	60.4
C Head Tube Angle	70.2°	70.8°	71.7°	*	73.0°	73.0°	73.0°
D Seat Tube Angle	74.7°	74.6°	74.3°	73.9°	73.5°	73.0°	72.5°
E Standover (cm)	68	71.2	74.2	77.3	80.4	83.3	86.8
F Head Tube Length (cm)	10.3	12.2	13.7	16.1	17.3	19.7	22.9
G Wheelbase (cm)	98.9	99.6	99.4	100.8	99.5	100.9	102.8
H Front Center (cm)	59.1	59.8	59.6	60.9	59.6	60.9	62.7
I Chain Stay Length (cm)	41.0	41.0	41.0	41.0	41.0	41.0	41.0
J Bottom Bracket Drop (cm)	7.5	7.5	7.5	7.3	7.3	7.0	7.0
K Bottom Bracket Height (cm)	27.0	27.0	27.0	27.2	27.2	27.5	27.5
L Fork Rake (cm)	6.0	6.0	5.5	5.5	4.5	4.5	4.5
M Trail (cm)	6	5.6	5.6	5.6	5.8	5.8	5.8
N Stack (cm)	51	53	55	57	59	61	64
O Reach (cm)	36.5	37.1	37.7	38.2	38.6	39.3	40.2



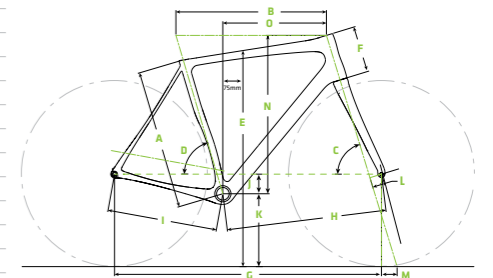
CAAD13

	44	48	51	54	56	58	60	62
A Seat Tube Length (cm)	40.4	44.2	48.1	51.9	54	56.2	58.3	60.4
B Top Tube Horizontal (cm)	51	52	53	54.6	56.2	57.8	59.4	61.1
C Top Tube Actual (cm)	NA							
D Head Tube Angle	70.9°	71.2°	71.2°	71.2°	73°	73°	73°	73°
E Seat Tube Angle	74.5°	74.3°	74.1°	73.7°	73.3°	72.9°	72.5°	72.1°
F Standover (cm)	68.6	72.3	75.3	79	80.5	82.9	84.8	86.8
G Head Tube Length (cm)	9.4	11.4	13	15.4	16.4	18.8	20.9	23
H Wheelbase (cm)	97.6	98.5	99.4	100.8	99.2	100.5	101.6	102.8
I Front Center (cm)	58.1	58.9	59.8	61.1	59.4	60.7	61.8	63
J Chain Stay Length (cm)	40.8	40.8	40.8	40.8	40.8	40.8	40.8	40.8
K Bottom Bracket Drop (cm)	7.9	7.4	7.4	7.2	7.2	6.9	6.9	6.9
L Bottom Bracket Height (cm)	26.3	26.8	26.8	27.1	27.1	27.3	27.3	27.3
M Fork Rake (cm)	5.5	5.5	5.5	5.5	4.5	4.5	4.5	4.5
N Trail (cm)	60.2	58.3	58.3	58.3	57.5	57.5	57.5	57.5
O Stack (cm)	50.5	52	53.5	55.5	57.5	59.5	61.5	63.5
P Reach (cm)	37	37.4	37.8	38.4	38.9	39.5	40	40.6



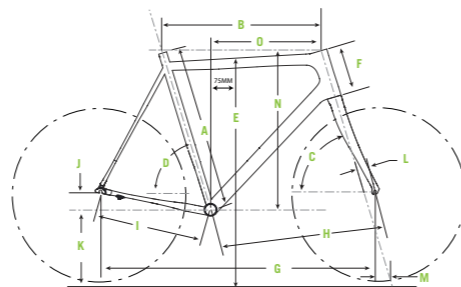
Synapse Alloy

	44	48	51	54	56	58	61
A Seat Tube Length (cm)	40.0	42.2	44.3	48.0	52.0	55.0	59.0
B Top Tube Horizontal (cm)	50.5	51.7	53.1	54.7	56.3	58.0	60.4
C Head Tube Angle	70.2°	70.8°	71.0°	71.9°	72.1°	72.3°	72.5°
D Seat Tube Angle	74.7°	74.6°	74.3°	73.9°	73.5°	73.0°	72.5°
E Standover (cm)	68.0	70.1	72.2	75.5	78.7	81.6	85.1
F Head Tube Length (cm)	10.4	12.3	14.3	15.9	17.8	20.2	23.2
G Wheelbase (cm)	99.2	99.9	101.0	100.4	101.4	102.5	104.1
H Front Center (cm)	59.1	59.8	60.8	60.2	61.2	62.2	63.8
I Chain Stay Length (cm)	41.3	41.3	41.3	41.3	41.3	41.3	41.3
J Bottom Bracket Drop (cm)	7.5	7.5	7.5	7.3	7.3	7.0	7.0
K Bottom Bracket Height (cm)	27.0	27.0	27.0	27.2	27.2	27.5	27.5
L Fork Rake (cm)	6.0	6.0	6.0	5.0	5.0	5.0	5.0
M Trail (cm)	6.0	5.7	5.5	6.0	5.9	5.8	5.6
N Stack (cm)	51.0	53.0	55.0	57.0	58.9	60.9	63.9
O Reach (cm)	36.5	37.1	37.6	38.3	38.9	39.4	40.3



CAAD Optimo

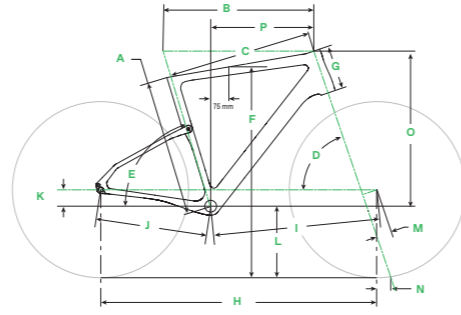
	44	48	51	54	56	58	60	63
A Seat Tube Length (cm)	46.5	48.7	53	55.9	57.6	59.4	61.5	63.5
B Top Tube Horizontal (cm)	50	51	52.8	54.7	56.1	57.5	59.1	60.7
C Head Tube Angle	70.5°	71.5°	72.3°	72.9°	73.1°	73.2°	73.3°	73.4°
D Seat Tube Angle	76.0°	74.7°	74.3°	73.8°	73.5°	73.2°	72.9°	72.6°
E Standover (cm)	73.5	74.2	76	78.7	80.2	82.2	84.1	86.2
F Head Tube Length (cm)	10.7	*	12	13.9	15.5	17.5	19.5	21.9
G Wheelbase (cm)	97.4	96.3	97	98	98.9	100	101.3	102.7
H Front Center (cm)	58	56.9	57.6	58.6	59.5	60.5	61.6	62.8
I Chain Stay Length (cm)	40.5	40.5	40.5	40.5	40.5	40.5	40.7	40.9
J Bottom Bracket Drop (cm)	7.4	7.4	7.4	7.2	7.2	6.9	6.9	6.9
K Bottom Bracket Height (cm)	26.8	26.8	26.8	27.1	27.1	27.3	27.3	27.3
L Fork Rake (cm)	4.5	4.5	4.5	4.5	4.5	4.5	4.5	4.5
M Trail (cm)	7.3	6.7	6.2	5.8	5.7	5.6	5.6	5.5
N Stack (cm)	51.4	51.8	53.3	55.1	56.6	58.3	60.3	62.6
O Reach (cm)	37.2	36.9	37.8	38.7	39.3	39.9	40.5	41.1



* Indicates same as previous

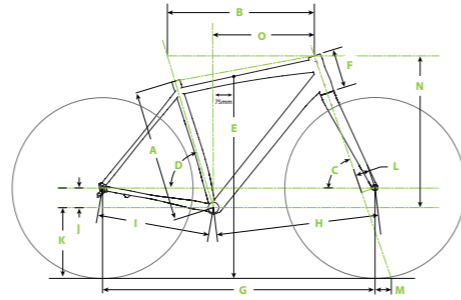
Topstone Carbon

	XS	SM	MD	LG	XL
A Seat Tube Length (cm)	41.0	45.8	50.5	55.3	60.0
B Top Tube Horizontal (cm)	52.5	54.4	56.1	57.9	59.6
C Head Tube Angle	70.0°	71.2°	71.2°	71.2°	71.2°
D Seat Tube Angle	73.1°	73.1°	73.1°	73.1°	73.1°
E Standover (cm)	71.5	76.1	80.3	84.3	88.5
F Head Tube Length (cm)	9.7	13.1	16.5	19.8	23.2
G Wheelbase (cm)	99.9	101.0	103.0	104.0	106.0
H Front Center (cm)	59.4	60.4	62.3	64.2	66.0
I Chain Stay Length (cm)	41.5	41.5	41.5	41.5	41.5
J Bottom Bracket Drop (cm)	6.9	6.4	6.1	6.1	5.9
K Bottom Bracket Height (cm)	27.3	27.8	28.0	28.0	28.3
L Fork Rake (cm)	5.5	5.5	5.5	5.5	5.5
M Trail (cm)	6.6	5.8	5.8	5.8	5.8
N Stack (cm)	51.8	54.9	57.9	61.0	64.0
O Reach (cm)	36.8	37.7	38.5	39.4	40.2



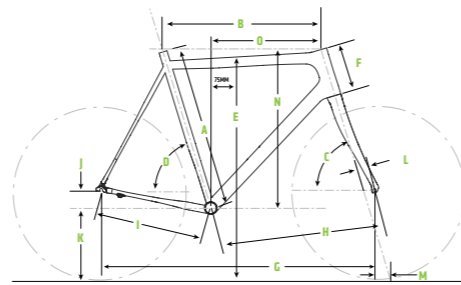
Topstone

	XS	SM	MD	LG	XL
A Seat Tube Length (cm)	41.0	45.8	50.5	55.3	60.0
B Top Tube Horizontal (cm)	52.5	54.4	56.1	57.9	59.6
C Head Tube Angle	70°	71°	71°	71°	71°
D Seat Tube Angle	73.1°	73.1°	73.1°	73.1°	73.1°
E Standover (cm)	70.3	74.4	78.4	82.5	86.3
F Head Tube Length (cm)	8.9	11.8	14.9	18.2	21.4
G Wheelbase (cm)	101.1	102.2	104.0	106.0	107.8
H Front Center (cm)	59.3	60.3	62.1	64.1	65.9
I Chain Stay Length (cm)	43.0	43.0	43.0	43.0	43.0
J Bottom Bracket Drop (cm)	7.5	7.5	7.5	7.5	7.5
K Bottom Bracket Height (cm)	28.4	28.4	28.4	28.4	28.4
L Fork Rake (cm)	5.5	5.5	5.5	5.5	5.5
M Trail (cm)	7.2	6.5	6.5	6.5	6.5
N Stack (cm)	51.8	54.9	57.9	61.0	64.0
O Reach (cm)	36.8	37.7	38.5	39.4	40.2



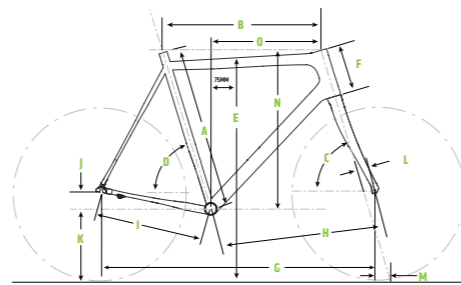
SuperX

	46	51	54	56	58	61
A Seat Tube Length (cm)	44.9	48.8	52.4	54.6	56.6	58.9
B Top Tube Horizontal (cm)	50.7	52.4	53.7	55.5	56.8	58.6
C Head Tube Angle	70.0°	71.0°	*	*	*	*
D Seat Tube Angle	74.6°	74.0°	*	73.5°	*	73.0°
E Standover (cm)	74.3	77.3	80.2	82.2	84.3	86.3
F Head Tube Length (cm)	9.3	11	13.2	15.3	17.5	19.6
G Wheelbase (cm)	100.2	100.5	102	103.4	104.8	106.1
H Front Center (cm)	59	59.3	60.7	62.1	63.5	64.8
I Chain Stay Length (cm)	42.2	*	*	*	*	*
J Bottom Bracket Drop (cm)	7	*	6.9	*	6.8	*
K Bottom Bracket Height (cm)	28	*	28.1	*	28.2	*
L Fork Rake (cm)	5.5	*	*	*	*	*
M Trail (cm)	6.9	6.2	*	*	*	*
N Stack (cm)	51.5	53.5	55.5	57.5	59.5	61.5
O Reach (cm)	36.5	37.1	37.8	38.5	39.2	39.8



CAADX

	46	51	54	56	58	61
A Seat Tube Length (cm)	50	52.5	54	56	58	61
B Top Tube Horizontal (cm)	50.7	52.4	53.7	55.5	56.8	58.6
C Head Tube Angle	70.0°	71.0°	71.0°	71.0°	71.0°	71.0°
D Seat Tube Angle	74.6°	74.0°	*	73.5°	*	73.0°
E Standover (cm)	75.1	77.3	79.1	81	83.1	85.5
F Head Tube Length (cm)	9.3	11	13.2	15.3	17.5	19.6
G Wheelbase (cm)	100.2	100.5	102	103.3	104.8	106.1
H Front Center (cm)	59	59.3	60.7	62.1	63.5	64.8
I Chain Stay Length (cm)	42.2	42.2	42.2	42.2	42.2	42.2
J Bottom Bracket Drop (cm)	7.0	7.0	6.9	6.9	6.8	6.8
K Bottom Bracket Height (cm)	28.0	28.0	28.1	28.1	28.2	28.2
L Fork Rake (cm)	5.5	5.5	5.5	5.5	5.5	5.5
M Trail (cm)	6.9	6.2	6.2	6.2	6.2	6.2
N Stack (cm)	51.5	53.5	55.5	57.5	59.5	61.5
O Reach (cm)	36.5	37.1	37.8	38.5	39.2	39.8



* Indicates same as previous



Mountain

TRAIL

CROSS COUNTRY

Mountain Line-Up

Trail



JEKYLL 29



HABIT



SCALPEL SE



CUJO



SCARLET



TRAIL



TANGO
TRAIL WOMEN'S (CE)



FAT CAAD

Cross Country



SCALPEL-SI



F-SI

Rage Ready



A quick, nimble and precise enduro sledgehammer. Climb up, sear down and devour everything between.

Key Benefits

- **Dialed Geometry**
Confident, point-and-shoot control from the long reach, slack head angle and reduced-offset fork, while the steep seat angle and short stays help you put the power down on the climbs.
- **The Ai Advantage**
Our Ai Offset Drivetrain opens up the rear triangle for more tire clearance, while keeping the chainstays short for nimble agility. A stiffer, stronger rear wheel is just icing on the cake.
- **Link Up**
A link-driven leverage ratio provides response and support throughout the stroke, keeping suspension active while retaining the stiffness, reliability and supple top stroke of a single-pivot design.

Category

Mountain | Trail

Sizes

Women's - SM, MD /
Men's SM, MD, LG, XL

Wheel / Tire Size

29 x2.5

Travel

(F) 150mm (R) 150mm

Jekyll Carbon 29 1



C21100M

Frame	BallisTec Carbon front triangle, SmartForm C1 Alloy swingarm, 150mm travel, Ai offset drivetrain, ISCG05, PF30-83, flat mount brake, tapered headtube	Chain	Shimano XT, 12-speed
Fork	Fox Float Factory 36, 150mm, Grip2 Damper, Kashima coating, 15x110, tapered steerer, 44mm offset	Rear Cogs	Shimano XT, 10-51, 12-speed
Rear Shock	Fox Float Factory DPX2 EVOL w/ Gemini dual mode air spring system (Flow Mode - 150mm / Hustle Mode - 120mm, Remote Activated), Kashima coating, 3-Pos adj.	Rear Derailleur	Shimano XTR, Shadow Plus
Rims	Stan's NoTubes Flow MK3, 32h, tubeless ready	Shifters	Shimano XT, 12-speed
Hubs	(F) DT 350 15x110 (R) DT 350 12x148 w/ Micro Spline	Handlebar	Cannondale 1 Riser, Carbon, 15mm rise, 9° sweep, 4° rise, 780mm
Spokes	DT Swiss Competition, straight pull (Ai Offset dish - rear)	Grips	Fabric Funguy Locking Grips
Tires	Maxxis Assegai, 29 x 2.5", 3C Compound, Max EXO puncture protection, tubeless ready	Stem	Cannondale 1, 3D Forged 6061 Alloy, 1-1/8", 31.8, 0°
Pedals	Not Included	Headset	Integrated, 1-1/8 to 1.5", sealed angular contact bearings
Crank	HollowGram, BB30 w/ X-Sync® SpideRing, 30T, Ai offset	Brakes	Shimano XTR 4-piston hydro disc, 203/180mm RT900 rotors
Bottom Bracket	Cannondale Alloy PressFit30	Brake Levers	Shimano XTR Trail hydro disc
		Saddle	Fabric Scoop Shallow Elite, cro-mo rails
		Seatpost	Fox Factory Transfer Dropper, internal routing, 31.6, 100mm (S), 150mm (M-XL)
		Sizes	S, M, L, XL
		Color 1	Champagne (CHP)

Jekyll Carbon 29 3



C21300M

Frame	BallisTec Carbon front triangle, SmartForm C1 Alloy swingarm, 150mm travel, Ai offset drivetrain, ISCG05, PF30-83, flat mount brake, tapered headtube	Rear Cogs	SRAM PG-1230, NX Eagle, 11-50, 12-speed
Fork	Fox Float Performance 36, 150mm, Grip Damper, 3-Pos adj., 15x110, tapered steerer, 44mm offset	Rear Derailleur	SRAM GX Eagle
Rear Shock	Fox Float Performance DPX2 EVOL, 3-Pos adj.	Shifters	SRAM GX Eagle, 12-speed
Rims	Stan's NoTubes Flow S1, 32h, tubeless ready	Handlebar	Cannondale 3 Riser, 6061 Alloy, 15mm rise, 8° sweep, 4° rise, 780mm
Hubs	Formula 15x110 Formula 12x148 w/ HG driver 12x148	Grips	Fabric Funguy Locking Grips
Spokes	DT Swiss Champion	Stem	Cannondale 3, 3D Forged 6061 Alloy, 1-1/8", 31.8, 0°
Tires	Maxxis Assegai, 29 x 2.5", Dual compound, EXO puncture protection, tubeless ready	Headset	Integrated, 1-1/8 to 1.5", sealed angular contact bearings
Pedals	Not Included	Brakes	SRAM Guide RE hydro disc, 200/180mm Centerline rotors
Crank	Truvativ Stylo 6K DUB, 30T, Ai offset	Brake Levers	SRAM Guide RE hydro disc
Bottom Bracket	SRAM DUB PF30 MTB83	Saddle	Fabric Scoop Shallow Sport, steel rails
Chain	SRAM NX Eagle, 12-speed	Seatpost	Cannondale DownLow Dropper, internal routing, 31.6, 125mm (S), 150mm (M-XL)
		Sizes	S, M, L, XL
		Color 1	Graphite (GRA)

Jekyll Carbon 29 2



C21200M

Frame	BallisTec Carbon front triangle, SmartForm C1 Alloy swingarm, 150mm travel, Ai offset drivetrain, ISCG05, PF30-83, flat mount brake, tapered headtube	Chain	SRAM GX Eagle, 12-speed
Fork	Fox Float Performance 36, 150mm, Grip2 Damper, 3-Pos adj., 15x110, tapered steerer, 42mm offset	Rear Cogs	SRAM XG-1275, GX Eagle, 10-50, 12-speed
Rear Shock	Fox Float Factory DPX2 EVOL w/ Gemini dual mode air spring system (Flow Mode - 150mm / Hustle Mode - 120mm, Remote Activated) 3-Pos adj.	Rear Derailleur	SRAM X01 Eagle
Rims	Stan's NoTubes Flow MK3, 32h, tubeless ready	Shifters	SRAM GX Eagle, 12-speed
Hubs	Formula 15x110 SRAM 900 12x148 w/ XD driver	Handlebar	Cannondale 3 Riser, 6061 Alloy, 15mm rise, 8° sweep, 4° rise, 780mm
Spokes	DT Swiss Champion	Grips	Fabric Funguy Locking Grips
Tires	Maxxis Assegai, 29 x 2.5", 3C Compound, Max EXO puncture protection, tubeless ready	Stem	Cannondale 1, 3D Forged 6061 Alloy, 1-1/8", 31.8, 0°
Pedals	Not Included	Headset	Integrated, 1-1/8 to 1.5", sealed angular contact bearings
Crank	Truvativ Stylo 7K DUB, 30T, Ai offset	Brakes	SRAM Code R hydro disc, 200/180mm Centerline rotors
Bottom Bracket	SRAM DUB PF30 MTB83	Brake Levers	SRAM Code R hydro disc
		Saddle	Fabric Scoop Shallow Elite, cro-mo rails
		Seatpost	Cannondale DownLow Dropper, internal routing, 31.6, 125mm (S), 150mm (M-XL)
		Sizes	S, M, L, XL
		Color 1	Cashmere (CAS)

Jekyll 29 4



C21400M

Frame	All-New, SmartForm C1 Alloy, 150mm travel, Ai offset drivetrain, ISCG05, BB30-83, flat mount brake, tapered headtube	Rear Cogs	SRAM PG-1230, NX Eagle, 11-50, 12-speed
Fork	RockShox Lyrik Select, 150mm, DebonAir, 15x110, tapered steerer, 42mm offset	Rear Derailleur	SRAM NX Eagle
Rear Shock	RockShox Deluxe Select Plus, DebonAir	Shifters	SRAM NX Eagle, 12-speed
Rims	WTB ST i29 TCS, 32h, tubeless ready	Handlebar	Cannondale 3 Riser, 6061 Alloy, 15mm rise, 8° sweep, 4° rise, 780mm
Hubs	Formula 15x110 Formula 12x148 w/ HG driver 12x148	Grips	Fabric Funguy Locking Grips
Spokes	DT Swiss Champion	Stem	Cannondale 3, 3D Forged 6061 Alloy, 1-1/8", 31.8, 0°
Tires	(F) Maxxis Minion DHF 29 x 2.5" WT, Dual compound, EXO puncture protection, tubeless ready (R) Maxxis Minion DHR II 29 x 2.4" WT, Dual compound, EXO puncture protection, tubeless ready	Headset	Integrated, 1-1/8 to 1.5", sealed angular contact bearings
Pedals	Not Included	Brakes	Shimano MT500 hydro disc, 180/180mm RT66 rotors
Crank	Truvativ Stylo 6K DUB, 30T, Ai offset	Brake Levers	Shimano MT500 hydro disc
Bottom Bracket	Cannondale BB30	Saddle	Fabric Scoop Shallow Sport, steel rails
Chain	SRAM NX Eagle, 12-speed	Seatpost	Cannondale DownLow Dropper, internal routing, 31.6, 125mm (S), 150mm (M-XL)
		Sizes	S, M, L, XL
		Color 1	Mantis (MAT)

Jekyll Carbon Women's 1



C21100F

Frame	BallisTec Carbon front triangle, SmartForm C1 Alloy swingarm, 150mm travel, Ai offset drivetrain, ISCG05, PF30-83, flat mount brake, tapered headtube	Rear Cogs	SRAM PG-1230, NX Eagle, 11-50, 12-speed
Fork	Fox Float Performance 36, 150mm, Grip Damper, Sweep adj., 15x110, tapered steerer, 44mm offset	Rear Derailleur	SRAM GX Eagle
Rear Shock	Fox Float Performance DPX2 EVOL, 3-Pos adj.	Shifters	SRAM GX Eagle, 12-speed
Rims	Stan's NoTubes Flow S1, 32h, tubeless ready	Handlebar	Cannondale 3 Riser, 6061 Alloy, 15mm rise, 8° sweep, 4° rise, 780mm
Hubs	Formula 15x110 Formula 12x148 w/ HG driver 12x148	Grips	Fabric FunGuy Locking Grips
Spokes	DT Swiss Champion	Stem	Cannondale 3, 3D Forged 6061 Alloy, 1-1/8", 31.8, 0°
Tires	Maxxis Assegai, 29 x 2.5", Dual compound, EXO puncture protection, tubeless ready	Headset	Integrated, 1-1/8 to 1.5", sealed angular contact bearings
Pedals	Not Included	Brakes	SRAM Guide RE hydro disc, 200/180mm Centerline rotors
Crank	Truvativ Stylo 6K DUB, 30T, Ai offset	Brake Levers	SRAM Guide RE hydro disc
Bottom Bracket	SRAM DUB PF30 MTB83	Saddle	Fabric Scoop Women's Sport, 155mm width, steel rails
Chain	SRAM NX Eagle, 12-speed	Seatpost	Cannondale DownLow Dropper, internal routing, 31.6, 100mm (S), 125mm (M)
		Sizes	S, M
		Color 1	Chameleon (CML)

Second Nature



A trail bike with its priorities straight: progressive design, playful agility and killer capability – all in the name of fun.

Key Benefits

▫ Flow Seeker

The head angle is slack, the stays are short and the seat angle is steep. It's that long, low modern geometry that helps you wring a little more flow out of every kind of trail.

▫ One Size Doesn't Fit All

Riders come in all sizes. Proportional Response is the only design that addresses this fact, tailoring the suspension layout by size so that every rider gets optimal traction, suppleness and control.

▫ The Right Stuff

29" wheels with big, grippy tires. Properly wide bars and properly short stems. Powerful brakes and dropper posts. Straightforward parts for straightforward performance.

Category

Mountain | Trail

Sizes

Women's
XS (27.5"), SM, MD (29")

Men's
SM, MD, LG, XL (29")

Wheel / Tire Size

27.5/29 x(F) 2.5 (R) 2.3

Travel

Models 1 thru 5
(F) 140mm (R) 130mm

Model 6
(F) 130mm (R) 130mm

Habit Carbon 1



C23100M

Frame	130mm travel, BallisTec Carbon Frame and Swingarm, Proportional Response Tuned, Ai offset drivetrain, ISCG05, PF30, Post mount brake, tapered headtube	Chain	Shimano XTR, 12-speed
Fork	RockShox Pike Ultimate RC2, 140mm, DebonAir, 15x110, tapered steered, 51mm offset	Rear Cogs	Shimano XTR, 10-51, 12-speed
Rear Shock	RockShox Super Deluxe Ultimate RCT, DebonAir	Rear Derailleur	Shimano XTR, Shadow Plus
Rims	Stan's NoTubes ARCH MK3, 32h, tubeless ready	Shifters	Shimano XTR, 12-speed
Hubs	(F) Hollowgram 28H 15x110 (R) Hollowgram w/ DT 54T Star Ratchet, 12x148 w/ Micro Spline	Handlebar	Cannondale 1 Riser, Carbon, 15mm rise, 9° sweep, 4° rise, 780mm
Spokes	DT Swiss Competition, straight pull (Ai Offset dish - rear)	Grips	Fabric Funguy Locking Grips
Tires	(F) Maxxis Minion DHF 29 x 2.5" WT, 3C compound, Max Terra, EXO puncture protection, tubeless ready (R) Maxxis High Roller II 29 x 2.3", 3C compound, Max Terra, EXO puncture protection, tubeless ready	Stem	Cannondale 1, 3D Forged 6061 Alloy, 1-1/8", 31.8, 0°
Pedals	Not Included	Headset	Integrated, 1-1/8 to 1.5", sealed angular contact bearings
Crank	HollowGram, BB30 w/ X-Sync® SpideRing, 30T, Ai offset	Brakes	Shimano XTR Trail, 4 piston, 180/180mm RT900 rotors
Bottom Bracket	Cannondale Alloy PressFit30	Brake Levers	Shimano XTR Trail hydro disc
		Saddle	Fabric Scoop Shallow Race, ti rails
		Seatpost	Cannondale DownLow Dropper, internal routing, 31.6, 125mm (S), 150mm (M-XL)
		Sizes	S, M, L, XL
		Color 1	Agave (AGV)

Habit Carbon SE



C23250M

Frame	130mm travel, BallisTec Carbon front triangle, SmartForm C1 Alloy swingarm, Proportional Response Tuned, Ai offset drivetrain, ISCG05, PF30, Post mount brake, tapered headtube	Rear Cogs	SRAM PG-1230, NX Eagle, 11-50, 12-speed
Fork	RockShox Lyrik Select +, 140mm, DebonAir, 15x110, tapered steerer, 51mm offset	Rear Derailleur	SRAM GX Eagle
Rear Shock	RockShox Super Deluxe Select + RT, DebonAir	Shifters	SRAM NX Eagle, 12-speed
Rims	Stan's NoTubes ARCH S1, 32h, tubeless ready	Handlebar	Cannondale 3 Riser, 6061 Alloy, 15mm rise, 8° sweep, 4° rise, 780mm
Hubs	(F) Formula 15x110 (R) Formula 12x148 w/ HG driver 12x148	Grips	Cannondale Super Tacky
Spokes	DT Swiss Champion	Stem	Cannondale 3, 3D Forged 6061 Alloy, 1-1/8", 31.8, 0°
Tires	(F) (F) Maxxis Assegai, 29 x 2.5", Dual compound, EXO puncture protection, tubeless ready (R) Maxxis Minion DHR II 29 x 2.4" WT, Dual compound, EXO puncture protection, tubeless ready	Headset	Integrated, 1-1/8 to 1.5", sealed angular contact bearings
Pedals	Not Included	Brakes	SRAM Code R hydro disc, 200/180mm Centerline rotors
Crank	Truvativ Stylo 6K DUB, 30T, Ai offset	Brake Levers	SRAM Code R hydro disc
Bottom Bracket	SRAM DUB PF30 MTB83	Saddle	Fabric Scoop Shallow Sport, steel rails
Chain	SRAM NX Eagle, 12-speed	Seatpost	Cannondale DownLow Dropper, internal routing, 31.6, 125mm (S), 150mm (M-XL)
		Sizes	S, M, L, XL
		Color 1	Chameleon (CML)

Habit Carbon 2



C23200M

Frame	130mm travel, BallisTec Carbon front triangle, SmartForm C1 Alloy swingarm, Proportional Response Tuned, Ai offset drivetrain, ISCG05, PF30, Post mount brake, tapered headtube	Chain	SRAM XX1 Eagle Gold, 12-speed
Fork	RockShox Pike Select+ RC, 140mm, DebonAir, 15x110, tapered steered, 51mm offset	Rear Cogs	SRAM XG-1275, GX Eagle, 10-50, 12-speed
Rear Shock	RockShox Select Deluxe+ RT, DebonAir	Rear Derailleur	SRAM X01 Eagle
Rims	Stan's NoTubes ARCH MK3, 32h, tubeless ready	Shifters	SRAM GX Eagle, 12-speed
Hubs	(F) Hollowgram 15x110 (R) Hollowgram w/ DT internals 12x148 w/ XD driver	Handlebar	Cannondale 3 Riser, 6061 Alloy, 15mm rise, 8° sweep, 4° rise, 780mm
Spokes	DT Swiss Competition, straight pull (Ai Offset dish - rear)	Grips	Fabric Funguy Locking Grips
Tires	(F) Maxxis Minion DHF 29 x 2.5" WT, 3C compound, Max Terra, EXO puncture protection, tubeless ready (R) Maxxis High Roller II 29 x 2.3", 3C compound, Max Terra, EXO puncture protection, tubeless ready	Stem	Cannondale 1, 3D Forged 6061 Alloy, 1-1/8", 31.8, 0°
Pedals	Not Included	Headset	Integrated, 1-1/8 to 1.5", sealed angular contact bearings
Crank	Truvativ Stylo 7K DUB, 30T, Ai offset	Brakes	SRAM G2 RSC hydro disc, 180/180mm Centerline rotors
Bottom Bracket	SRAM DUB PF30 MTB83	Brake Levers	SRAM G2 RSC hydro disc
		Saddle	Fabric Scoop Shallow Elite, cro-mo rails
		Seatpost	Cannondale DownLow Dropper, internal routing, 31.6, 125mm (S), 150mm (M-XL)
		Sizes	S, M, L, XL
		Color 1	Black Pearl (BPL)

Habit Carbon 3



C23300M

Frame	130mm travel, BallisTec Carbon front triangle, SmartForm C1 Alloy swingarm, Proportional Response Tuned, Ai offset drivetrain, ISCG05, PF30, Post mount brake, tapered headtube	Rear Cogs	SRAM PG-1230, NX Eagle, 11-50, 12-speed
Fork	Fox Float Performance 34, 140mm, Grip Damper, Sweep adj., 15x110, tapered steerer, 51mm offset	Rear Derailleur	SRAM GX Eagle
Rear Shock	Fox Float Performance DPS EVOL, 3-Pos adj.	Shifters	SRAM NX Eagle, 12-speed
Rims	Stan's NoTubes ARCH S1, 32h, tubeless ready	Handlebar	Cannondale 3 Riser, 6061 Alloy, 15mm rise, 8° sweep, 4° rise, 780mm
Hubs	(F) Formula 15x110 (R) Formula 12x148 w/ HG driver 12x148	Grips	Fabric Funguy Locking Grips
Spokes	DT Swiss Champion	Stem	Cannondale 3, 3D Forged 6061 Alloy, 1-1/8", 31.8, 0°
Tires	(F) Maxxis Minion DHF 29 x 2.5" WT, Dual compound, EXO puncture protection, tubeless ready (R) Maxxis High Roller II 29 x 2.3", Dual compound, EXO puncture protection, tubeless ready	Headset	Integrated, 1-1/8 to 1.5", sealed angular contact bearings
Pedals	Not Included	Brakes	SRAM Guide R hydro disc, 180/180mm Centerline rotors
Crank	Truvativ Stylo 6K DUB, 30T, Ai offset	Brake Levers	SRAM Guide R hydro disc
Bottom Bracket	SRAM DUB PF30 MTB83	Saddle	Fabric Scoop Shallow Sport, steel rails
Chain	SRAM NX Eagle, 12-speed	Seatpost	Cannondale DownLow Dropper, internal routing, 31.6, 125mm (S), 150mm (M-XL)
		Sizes	S, M, L, XL
		Color 1	Emerald (EMR)

Habit 5



C23500M

Frame	130mm travel, SmartForm C1 Alloy, Proportional Response Tuned, Ai offset drivetrain, ISCG05, BSA 83, Post mount brake, tapered headtube	Rear Cogs	SRAM PG-1210, SX Eagle, 11-50, 12-speed
Fork	RockShox 35 Gold RL, 140mm, DebonAir, 51mm offset	Rear Derailleur	SRAM SX Eagle
Rear Shock	Fox Float Performance DPS EVOL, 3-Pos adj.	Shifters	SRAM SX Eagle, 12-speed
Rims	WTB STX i23 TCS, 32h, tubeless ready	Handlebar	Cannondale 3 Riser, 6061 Alloy, 15mm rise, 8° sweep, 4° rise, 780mm
Hubs	(F) Shimano MT400 15x110 (R) Shimano MT400 12x148	Grips	Fabric Funguy Locking Grips
Spokes	Stainless Steel, 14g (Ai Offset Dish - rear)	Stem	Cannondale 3, 3D Forged 6061 Alloy, 1-1/8", 31.8, 0°
Tires	(F) Maxxis Minion DHF 29 x 2.5" WT, Dual compound, EXO puncture protection, tubeless ready (R) Maxxis High Roller II 29 x 2.3", Dual compound, EXO puncture protection, tubeless ready	Headset	Integrated, 1-1/8 to 1.5", sealed angular contact bearings
Pedals	Not Included	Brakes	Shimano MT200 hydro disc, 180/180mm RT30 rotors
Crank	SRAM X1-1000 Eagle DUB, 30T, Ai offset	Brake Levers	Shimano MT200 hydro disc
Bottom Bracket	SRAM DUB BSA MTB83	Saddle	Cannondale Stage 3
Chain	SRAM SX Eagle, 12-speed	Seatpost	TranzX dropper, internal routing, 31.6, 100mm (S), 125mm (M-XL)
		Sizes	S, M, L, XL
		Color 1	Mantis (MAT)

Habit 4



C23400M

Frame	130mm travel, SmartForm C1 Alloy, Proportional Response Tuned, Ai offset drivetrain, ISCG05, BSA 83, Post mount brake, tapered headtube	Rear Cogs	SRAM PG-1230, NX Eagle, 11-50, 12-speed
Fork	Fox Float Rhythm 34, 140mm, Grip Damper, Sweep-Adj, 15x110, tapered steerer, 51mm offset	Rear Derailleur	SRAM NX Eagle
Rear Shock	Fox Float Performance DPS EVOL, 3-Pos adj.	Shifters	SRAM NX Eagle, 12-speed
Rims	WTB ST i25 TCS 2.0, 32h, tubeless ready	Handlebar	Cannondale 3 Riser, 6061 Alloy, 15mm rise, 8° sweep, 4° rise, 780mm
Hubs	(F) Formula 15x110 (R) Formula 12x148 w/ HG driver 12x148	Grips	Fabric Funguy Locking Grips
Spokes	Stainless steel, 14g	Stem	Cannondale 3, 3D Forged 6061 Alloy, 1-1/8", 31.8, 0°
Tires	(F) Maxxis Minion DHF 29 x 2.5" WT, Dual compound, EXO puncture protection, tubeless ready (R) Maxxis High Roller II 29 x 2.3", Dual compound, EXO puncture protection, tubeless ready	Headset	Integrated, 1-1/8 to 1.5", sealed angular contact bearings
Pedals	Not Included	Brakes	SRAM Guide T hydro disc, 180/180mm Centerline rotors
Crank	SRAM X1-1000 Eagle DUB, 30T, Ai offset	Brake Levers	SRAM Guide T hydro disc
Bottom Bracket	SRAM DUB BSA MTB83	Saddle	Fabric Scoop Shallow Sport, steel rails
Chain	SRAM NX Eagle, 12-speed	Seatpost	Cannondale DownLow Dropper, internal routing, 31.6, 125mm (S), 150mm (M-XL)
		Sizes	S, M, L, XL
		Color 1	Midnight (MDN)

Habit 6



C23600M

Frame	130mm travel, SmartForm C1 Alloy, Proportional Response Tuned, Ai offset drivetrain, ISCG05, BSA 83, Post mount brake, tapered headtube	Rear Derailleur	Shimano SLX GS
Fork	RockShox Recon RL, 130mm, DebonAir, 51mm offset	Shifters	Shimano SLX, 11-speed
Rear Shock	RockShox Deluxe Select, DebonAir	Handlebar	Cannondale 3 Riser, 6061 Alloy, 15mm rise, 8° sweep, 4° rise, 780mm
Rims	WTB STX i23 TCS, 32h, tubeless ready	Grips	Fabric Funguy Locking Grips
Hubs	(F) Shimano MT400 15x110 (R) Shimano MT400 12x148	Stem	Cannondale 3, 3D Forged 6061 Alloy, 1-1/8", 31.8, 0°
Spokes	Stainless Steel, 14g (Ai Offset Dish - rear)	Headset	Integrated, 1-1/8 to 1.5", sealed angular contact bearings
Tires	Maxxis Ardent 29 x 2.4" Dual compound, Exo puncture protection	Brakes	Shimano MT200 hydro disc, 180/180mm RT10 rotors
Pedals	Not Included	Brake Levers	Shimano MT200 hydro disc
Crank	Race Face Ride Cinch, 30T	Saddle	Cannondale Stage 3
Bottom Bracket	Race Face Outboard BB	Seatpost	Cannondale 3, 6061 Alloy, 31.6 x 350mm
Chain	KMC X11, 11-speed	Sizes	S, M, L, XL
Rear Cogs	Sunrace, 11-46, 11-speed	Color 1	Black (BLK)

Habit Carbon Women's 1



C23100F

Frame	130mm travel, BallisTec Carbon front triangle, SmartForm C1 Alloy swingarm, Proportional Response Tuned, Ai offset drivetrain, ISCG05, PF30, Post mount brake, tapered headtube	Rear Cogs	SRAM PG-1230, NX Eagle, 11-50, 12-speed
Fork	Fox Float Performance 34, 140mm, Grip Damper, Sweep adj., 15x110, tapered steerer, 51/44mm offset	Rear Derailleur	SRAM GX Eagle
Rear Shock	Fox Float Performance DPS EVOL, 3-Pos adj.	Shifters	SRAM NX Eagle, 12-speed
Rims	Stan's NoTubes ARCH S1, 32h, tubeless ready	Handlebar	Cannondale 3 Riser, 6061 Alloy, 15mm rise, 8° sweep, 4° rise, 780mm
Hubs	(F) Formula 15x110 (R) Formula 12x148 w/ HG driver 12x148	Grips	Fabric FunGuy Locking Grips
Spokes	DT Swiss Champion	Stem	Cannondale 3, 3D Forged 6061 Alloy, 1-1/8", 31.8, 0°
Tires	(F) Maxxis Minion DHF 29 x 2.5" WT, Dual compound, EXO puncture protection, tubeless ready (R) Maxxis High Roller II 29 x 2.3", Dual compound, EXO puncture protection, tubeless ready	Headset	Integrated, 1-1/8 to 1.5", sealed angular contact bearings
Pedals	Not Included	Brakes	SRAM Guide R hydro disc, 180/180mm Centerline rotors
Crank	Truvativ Stylo 6K DUB, 30T, Ai offset	Brake Levers	SRAM Guide R hydro disc
Bottom Bracket	SRAM DUB PF30 MTB83	Saddle	Fabric Scoop Women's Sport, 155mm width, steel rails
Chain	SRAM NX Eagle, 12-speed	Seatpost	Cannondale DownLow Dropper, internal routing, 31.6, 100mm (XS), 125mm (S, M)
		Sizes	XS (27.5"), S, M (29")
		Color 1	Champagne (CHP)

Habit Women's 3



C23300F

Frame	130mm travel, SmartForm C1 Alloy, Proportional Response Tuned, Ai offset drivetrain, ISCG05, BSA 83, Post mount brake, tapered headtube	Rear Derailleur	Shimano SLX GS
Fork	RockShox Recon RL, 130mm, DebonAir, 51mm offset	Shifters	Shimano SLX, 11-speed
Rear Shock	RockShox Deluxe Select, DebonAir	Handlebar	Cannondale 3 Riser, 6061 Alloy, 15mm rise, 8° sweep, 4° rise, 780mm
Rims	WTB STX i23 TCS, 32h, tubeless ready	Grips	Fabric FunGuy Locking Grips
Hubs	(F) Shimano MT400 15x110 (R) Shimano MT400 12x148	Stem	Cannondale 3, 3D Forged 6061 Alloy, 1-1/8", 31.8, 0°
Spokes	Stainless Steel, 14g (Ai Offset Dish - rear)	Headset	Integrated, 1-1/8 to 1.5", sealed angular contact bearings
Tires	Maxxis Ardent 29 x 2.4" Dual compound, Exo puncture protection	Brakes	Shimano MT200 hydro disc, 180/180mm RT10 rotors
Pedals	Not Included	Brake Levers	Shimano MT200 hydro disc
Crank	Race Face Ride Cinch, 30T	Saddle	Cannondale Stage 3 Women's Ergo
Bottom Bracket	Race Face Outboard BB	Seatpost	Cannondale 3, 6061 Alloy, 31.6 x 350mm
Chain	KMC X11, 11-speed	Sizes	XS, S, M
Rear Cogs	Sunrace, 11-46, 11-speed	Color 1	Ultra Violet (ULV)

Habit Women's 2



C23200F

Frame	130mm travel, SmartForm C1 Alloy, Proportional Response Tuned, Ai offset drivetrain, ISCG05, BSA 83, Post mount brake, tapered headtube	Chain	SRAM SX Eagle, 12-speed
Fork	RockShox 35 Gold RL, 140mm, DebonAir, 15x110, tapered steerer, 51/44mm offset	Rear Cogs	SRAM PG-1210, SX Eagle, 11-50, 12-speed
Rear Shock	Fox Float Performance DPS EVOL, 3-Pos adj.	Rear Derailleur	SRAM SX Eagle
Rims	WTB STX i23 TCS, 32h, tubeless ready	Shifters	SRAM SX Eagle, 12-speed
Hubs	(F) Shimano MT400 15x110 (R) Shimano MT400 12x148	Handlebar	Cannondale 3 Riser, 6061 Alloy, 15mm rise, 8° sweep, 4° rise, 780mm
Spokes	Stainless Steel, 14g (Ai Offset Dish - rear)	Grips	Fabric FunGuy Locking Grips
Tires	(F) Maxxis Minion DHF 29 x 2.5" WT, Dual compound, EXO puncture protection, tubeless ready (R) Maxxis High Roller II 29 x 2.3", Dual compound, EXO puncture protection, tubeless ready	Stem	Cannondale 3, 3D Forged 6061 Alloy, 1-1/8", 31.8, 0°
Pedals	Not Included	Headset	Integrated, 1-1/8 to 1.5", sealed angular contact bearings
Crank	SRAM X1-1000 Eagle DUB, 30T, Ai offset	Brakes	Shimano MT200 hydro disc, 180/180mm RT30 rotors
Bottom Bracket	SRAM DUB BSA MTB 83	Brake Levers	Shimano MT200 hydro disc
		Saddle	Cannondale Stage 3 Women's Ergo
		Seatpost	TranzX Dropper, internal routing, 31.6, 100mm (S), 125mm (M-XL)
		Sizes	XS (27.5") S, M (29")
		Color 1	Maroon (MRN)

Race Pace. Trail Taste.

A light, fast ripper of a trail bike. Born from XC but built to exceed.

Key Benefits

- **More Travel**
A different swingarm, shock and fork bump the travel up to 115mm in the rear and 120mm in the front, morphing the Scalpel from an XC ripper to a full-on trail slayer.
- **Loaded for Trail**
Aggressive Maxxis Ardent tires, wider bars, more powerful brakes, lower gearing and a dropper post let you push it hard and get in deep.
- **Hard Charging Stability**
With a slacker effective head angle and a shorter fork offset, the SE trades some of the Scalpel-Si's XC-oriented agility for increased high-speed stability.



Category

Mountain | Trail

Sizes

SM, MD, LG, XL

Wheel / Tire Size

27.5/29 x(F) 2.4" (R) 2.5"

Travel

(F) 120mm (R) 115mm

Scalpel Si Carbon SE



C24350M

Frame	BallisTec Carbon, 115mm travel, Zero-Pivot seatstay, Carbon Link, PF30-83, 1.5 Si head tube, Ai Offset	Rear Derailleur	SRAM GX Eagle
Fork	Fox Float Performance 34 Stepcast, 120mm, Grip Damper, Sweep adjust, 15x110, tapered steerer, 44mm (27.5) / 51mm (29) offset	Shifters	SRAM NX Eagle, 12-speed
Rear Shock	Fox Float DPS Performance EVOL, 115mm	Handlebar	Cannondale 3 Riser, 6061 Alloy, 31.8mm, 15mm rise, 8° sweep, 4° rise, 780mm
Rims	Stan's NoTubes Arch S1, 28h, tubeless ready	Grips	Fabric Funguy Locking Grips
Hubs	(F) Formula 15x110 (R) Formula 12x142 w/ XD driver	Stem	Cannondale 3, 6061 Alloy, 31.8, 7°
Spokes	DT Swiss Competition (Ai Offset dish - rear)	Headset	Tange 1.5 for Tapered Steer tubes
Tires	(F) Maxxis Ardent 27.5/29 x 2.4", EXO Protection, tubeless ready (R) Maxxis Ardent 27.5/29 x 2.25", EXO Protection, tubeless ready	Brakes	SRAM Guide T hydro disc, 180/160mm Centerline rotors
Pedals	Not Included	Brake Levers	SRAM Guide T hydro disc
Crank	Truvativ Stylo 6K DUB, 32T. Ai offset	Saddle	Fabric Scoop Shallow Elite, cro-mo rails
Bottom Bracket	SRAM DUB PF30 MTB83	Seatpost	Cannondale DownLow Dropper, internal routing, 31.6, 125mm (S), 150mm (M-XL)
Chain	SRAM NX Eagle, 12-speed	Sizes	S, M, L, XL
Rear Cogs	SRAM XG-1275, GX Eagle, 10-50, 12-speed	Color 1	Emerald (EMR)

Big Fun



A mountain bike with more. More traction, more comfort, more capability to make every trail easier.

Key Benefits

- **Grip. Don't Slip.**
27+ wheels combine wide rims with big 2.8" tires for unreal traction and cushiony float on just about any surface the trail can throw your way.
- **Confident Handling**
Dirt-Tailored Geometry brings both quickness and composure. Short chainstays for agility and traction, a slack head angle for unwavering stability, plus wide bars and a short stem for total control.
- **Equipped to Rip**
Light, simple 1x drivetrain and hydraulic disc brakes. Wide range cassettes and 30t rings for a rock-crawling low gear. Dropper seatpost. Everything you need for good times in the dirt.

Category	Sizes	Wheel / Tire Size	Travel
Mountain Trail	XS, SM, MD, LG, XL	27.5+ x2.8	120mm

Cujo 1



C26170M

Frame	SmartForm C2 Alloy, SAVE, Boost spacing, tapered 1-1/8" to 1.5" headtube, flat mount brake, StraightShot internal cable routing, BSA-73	Rear Derailleur	SRAM NX Eagle
Fork	RockShox Judy Silver TK, 120mm, Solo Air, 15x110, tapered steerer, 51mm offset	Shifters	SRAM SX Eagle, 12-speed
Rims	WTB STX i35 TCS, 32h, tubeless ready	Handlebar	Cannondale 3 Riser, 6061 Alloy, 15mm rise, 8° sweep, 4° rise, 780mm
Hubs	(F) Shimano MT400 15x110 (R) Shimano MT200, QR	Grips	Cannondale Locking Grips
Spokes	Stainless Steel, 14g	Stem	Cannondale 3, 6061 Alloy, 31.8, 7°
Tires	Maxxis Rekon 27.5 x 2.8" Dual compound, EXO puncture protection, tubeless ready	Headset	Semi Integrated, 1-1/8" reducer
Pedals	Cannondale Platform	Brakes	Shimano MT400 hydro disc, 180/160mm RT30 rotors
Crank	SRAM SX Eagle, 30T	Brake Levers	Shimano MT400 hydro disc
Bottom Bracket	Truvativ Power Spline	Saddle	Cannondale Stage 3
Chain	SRAM SX Eagle, 12-speed	Seatpost	TranzX dropper, internal routing, 31.6, 80mm (XS), 100mm (S), 120mm (M-XL)
Rear Cogs	SRAM PG-1210, SX Eagle, 11-50, 12-speed	Sizes	XS, S, M, L, XL
		Color 1	Sienna (SNA)

Cujo 3



C26370M

Frame	SmartForm C2 Alloy, SAVE, Boost spacing, tapered 1-1/8" to 1.5" headtube, flat mount brake, StraightShot internal cable routing, BSA-73	Rear Derailleur	Shimano Deore GS
Fork	Suntour XCR-34, 120mm, 110x15mm, tapered steerer, 51mm offset	Shifters	Shimano Deore, 10-speed
Rims	WTB STX i35, 32h	Handlebar	Cannondale 3 Riser, 6061 Alloy, 15mm rise, 8° sweep, 4° rise, 760mm
Hubs	(F) Formula 15x110 (R) Formula Boost QR w/ HG driver	Grips	Cannondale Dual-Density
Spokes	Stainless Steel, 14g	Stem	Cannondale 4, 6061 Alloy, 31.8, 7°
Tires	WTB Ranger Comp, 27.5 x 2.8", DNA Compound	Headset	Semi Integrated, 1-1/8" to 1-1/2"
Pedals	Cannondale Platform	Brakes	Tektro hydro disc, 180/160mm rotors
Crank	Prowheel, 30T	Brake Levers	Tektro hydro disc
Bottom Bracket	Prowheel	Saddle	Cannondale Stage 3
Chain	KMC X10, 10-speed	Seatpost	TranzX dropper, internal routing, 31.6, 100mm (S), 125mm (M-XL)
Rear Cogs	Sunrace, 11-42, 10-speed	Sizes	XS, S, M, L, XL
		Color 1	Midnight (MDN)

Cujo 2



C26270M

Frame	SmartForm C2 Alloy, SAVE, Boost spacing, tapered 1-1/8" to 1.5" headtube, flat mount brake, StraightShot internal cable routing, BSA-73	Rear Derailleur	SRAM SX Eagle
Fork	RockShox Judy Silver TK, 120mm, Solo Air, 15x110, tapered steerer, 51mm offset	Shifters	SRAM SX Eagle, 12-speed
Rims	WTB STX i35, 32h	Handlebar	Cannondale 3 Riser, 6061 Alloy, 15mm rise, 8° sweep, 4° rise, 780mm
Hubs	(F) Shimano MT400 15x110, Boost 110 (R) Shimano MT200, Boost 141, QR	Grips	Cannondale Locking Grips
Spokes	Stainless Steel, 14g	Stem	Cannondale 3, 6061 Alloy, 31.8, 7°
Tires	WTB Ranger Comp, 27.5 x 2.8", DNA Compound	Headset	Semi Integrated, 1-1/8" to 1-1/2"
Pedals	Cannondale Platform	Brakes	Shimano MT200 hydro disc, 180/160mm RT10 rotors
Crank	SRAM SX Eagle, 30T	Brake Levers	Shimano MT200 hydro disc
Bottom Bracket	Truvativ Power Spline	Saddle	Cannondale Stage 3
Chain	SRAM SX Eagle, 12-speed	Seatpost	TranzX dropper, internal routing, 31.6, 80mm (XS), 100mm (S), 120mm (M-XL)
Rear Cogs	SRAM PG-1210, SX Eagle, 11-50, 12-speed	Sizes	XS, S, M, L, XL
		Color 1	Mantis (MAT)

Scarlet 1



C26170F

Frame	SmartForm C2 Alloy, SAVE, Boost spacing, tapered 1-1/8" to 1.5" headtube, flat mount brake, StraightShot internal cable routing, BSA-73	Rear Derailleur	SRAM SX Eagle
Fork	RockShox Judy Silver TK, 120mm, Solo Air, 15x110, tapered steerer, 51mm offset	Shifters	SRAM SX Eagle, 12-speed
Rims	WTB STX i35, 32h	Handlebar	Cannondale 3 Riser, 6061 Alloy, 15mm rise, 8° sweep, 4° rise, 780mm
Hubs	(F) Shimano MT400 15x110 (R) Shimano MT200, QR	Grips	Cannondale Low-Profile Locking Grips
Spokes	Stainless Steel, 14g	Stem	Cannondale 3, 6061 Alloy, 31.8, 7°
Tires	WTB Ranger Comp, 27.5 x 2.8", DNA Compound	Headset	Semi Integrated, 1-1/8" reducer
Pedals	Cannondale Platform	Brakes	Shimano MT200 hydro disc, 180/160mm RT10 rotors
Crank	SRAM SX Eagle, 30T	Brake Levers	Shimano MT200 hydro disc
Bottom Bracket	Truvativ Power Spline	Saddle	Cannondale Stage 3 Women's Ergo
Chain	SRAM SX Eagle, 12-speed	Seatpost	TranzX dropper, internal routing, 31.6, 80mm (XS), 100mm (S), 120mm (M-XL)
Rear Cogs	SRAM PG-1210, SX Eagle, 11-50, 12-speed	Sizes	XS, S, M
		Color 1	Ultra Violet (ULV)

Level Up



With beautifully crafted frames, progressive geometry and seriously dirt-ready components, Trail hardtails are built to take your riding to the next level, from your first time off-road to your next big adventure.

Key Benefits

- **Perfectly Framed**

Light and lively, stiff and snappy. The Trail frames showcase our decades of expertise in aluminum craftsmanship.

For MY20, a new frame brings Trail handling and performance to more pricepoints than ever.

Trail 1 thru 3: Existing frame - SmartForm C2 Alloy, tapered headtube, Boost QR spacing, flat mount disc

Trail 4 thru 8: New frame - SmartForm C3 Alloy, 1-1/8" headtube, standard QR spacing, post mount disc
- **Confident Handling**

Dirt-Tailored Geometry brings both quickness and composure. Short chainstays for agility and traction, a slack head angle for unwavering stability, plus wide bars and a short stem for total control.
- **Real Deal**

Trail is sweetly priced, but make no mistake — wide range gearing, powerful disc brakes and durable wheels and tires contribute to big trail readiness. Naming this bike was a no-brainer.

Category

Mountain | Trail

Sizes

XS, S (27.5")
M, L, XL, 2XL (29")

Wheel / Tire Size

27.5"x2.25" (XS, S)
29"x2.25" (M, L, XL, 2XL)

Travel

120mm (Models 1-3)
100mm (Models 4-7)
75mm (Models 8)

Level Up



With beautifully crafted frames, progressive geometry and seriously dirt-ready components, Trail hardtails are built to take your riding to the next level, from your first time off-road to your next big adventure.

Key Benefits

- **Perfectly Framed**

Light and lively, stiff and snappy. The Trail frames showcase our decades of expertise in aluminum craftsmanship.

For MY20, a new frame brings Trail handling and performance to more pricepoints than ever.

Trail 1 thru 3: Existing frame - SmartForm C2 Alloy, tapered headtube, Boost QR spacing, flat mount disc

Trail 4 thru 8: New frame - SmartForm C3 Alloy, 1-1/8' headtube, standard QR spacing, post mount disc
- **Confident Handling**

Dirt-Tailored Geometry brings both quickness and composure. Short chainstays for agility and traction, a slack head angle for unwavering stability, plus wide bars and a short stem for total control.
- **Real Deal**

Trail is sweetly priced, but make no mistake — wide range gearing, powerful disc brakes and durable wheels and tires contribute to big trail readiness. Naming this bike was a no-brainer.

Category	Sizes	Wheel / Tire Size	Travel
Mountain Trail	XS, S (27.5") M, L, XL, 2XL (29")	27.5"x2.25" (XS, S) 29"x2.25" (M, L, XL, 2XL)	100mm

Trail 1



C26100M

Frame	SmartForm C2 Alloy, SAVE, Boost spacing, tapered 1-1/8" to 1.5" headtube, flat mount brake, StraightShot internal cable routing, BSA-73	Shifters	SRAM SX Eagle, 12-speed
Fork	RockShox Reba RL, 120mm, Solo Air, 15x110, tapered steerer, 42mm offset (27.5") 51mm offset (29")	Handlebar	Cannondale 3 Riser, 6061 Alloy, 15mm rise, 8° sweep, 4° rise, 760mm
Rims	WTB STX i23 TCS, 32h, tubeless ready	Grips	Cannondale Locking Grips
Hubs	(F) Shimano MT400 15x110 (R) MT200 Boost 141 QR	Stem	Cannondale 3 with Intellimount, alloy, 31.8mm clamp
Spokes	Stainless Steel, 14g	Headset	Semi Integrated, 1-1/8" to 1-1/2"
Tires	WTB Breakout Comp, 27.5/29 x 2.3", DNA Compound	Brakes	Shimano MT500 hydro disc, 180/160mm RT30 rotors
Pedals	Cannondale Platform	Brake Levers	Shimano MT500 hydro disc
Crank	SRAM NX Eagle, 30T	Saddle	Cannondale Stage 3
Bottom Bracket	Truvativ Power Spline	Seatpost	TranzX dropper, internal routing, 31.6, 80mm (XS), 100mm (S), 120mm (M-XL)
Chain	SRAM SX Eagle, 12-speed	Connectivity	Wheel Sensor
Rear Cogs	SRAM PG-1210, SX Eagle, 11-50, 12-speed	Sizes	(27.5) S (29) M, L, XL
Rear Derailleur	SRAM NX Eagle	Color 1	Goldfinger (GDF)

Trail 2



C26200M

Frame	SmartForm C2 Alloy, SAVE, Boost spacing, tapered 1-1/8" to 1.5" headtube, flat mount brake, StraightShot internal cable routing, BSA-73	Shifters	SRAM SX Eagle, 12-speed
Fork	RockShox Judy Gold RL, 120mm, Fast Black Uppers, Solo Air, 15x110, tapered steerer, 42mm offset (27.5") 51mm offset (29")	Handlebar	Cannondale 3 Riser, 6061 Alloy, 15mm rise, 8° sweep, 4° rise, 760mm
Rims	WTB STX i23 TCS, 32h, tubeless ready	Grips	Cannondale Locking Grips
Hubs	(F) Shimano MT400 15x110 (R) MT200 Boost 141 QR	Stem	Cannondale 3 with Intellimount, alloy, 31.8mm clamp
Spokes	Stainless Steel, 14g	Headset	Semi Integrated, 1-1/8" to 1-1/2"
Tires	WTB Breakout Comp, 27.5/29 x 2.3", DNA Compound	Brakes	Shimano MT400 hydro disc, 180/160mm RT30 rotors
Pedals	Cannondale Platform	Brake Levers	Shimano MT400 hydro disc
Crank	SRAM SX Eagle, 30T	Saddle	Cannondale Stage 3
Bottom Bracket	Truvativ Power Spline	Seatpost	TranzX dropper, internal routing, 31.6, 80mm (XS), 100mm (S), 120mm (M-XL)
Chain	SRAM SX Eagle, 12-speed	Connectivity	Wheel Sensor
Rear Cogs	SRAM PG-1210, SX Eagle, 11-50, 12-speed	Sizes	(27.5) XS, S (29) M, L, XL, 2XL
Rear Derailleur	SRAM SX Eagle	Color 1	Acid Red (ARD)

Trail 1



C26150M

Frame	SmartForm C2 Alloy, SAVE, Boost spacing, tapered 1-1/8" to 1.5" headtube, flat mount brake, StraightShot internal cable routing, BSA-73	Rear Derailleur	SRAM NX Eagle
Fork	RockShox Reba RL, 100mm, Stealth Solo Air, 15x110, tapered steerer, remote lockout, 42mm offset (27.5") 51mm offset (29")	Shifters	SRAM NX Eagle, 12-speed
Rims	WTB STX i23 TCS, 32h, tubeless ready	Handlebar	Cannondale 3 Riser, 6061 Alloy, 15mm rise, 8° sweep, 4° rise, 760mm
Hubs	(F) Shimano MT400 15x110 (R) MT200 Boost 141 QR	Grips	Cannondale Locking Grips
Spokes	Stainless Steel, 14g	Stem	Cannondale 3 with Intellimount, alloy, 31.8mm clamp
Tires	Schwalbe Rocket Rick, 27.5/29 x 2.25", K-Guard	Headset	Semi Integrated, 1-1/8" to 1-1/2"
Pedals	Cannondale Platform	Brakes	Shimano MT500 hydro disc, 180/160mm RT54 rotors
Crank	SRAM NX Eagle, 30T	Brake Levers	Shimano MT500 hydro disc
Bottom Bracket	Truvativ Power Spline	Saddle	Cannondale Stage 3
Chain	SRAM NX Eagle, 12-speed	Seatpost	Cannondale 3, 6061 Alloy, 31.6 x 350/400mm
Rear Cogs	SRAM PG-1210, SX Eagle, 11-50, 12-speed	Connectivity	Wheel Sensor
		Sizes	(27.5) S (29) M, L, XL
		Color 1	Goldfinger (GDF)

Trail 2



C26250M

Frame	SmartForm C2 Alloy, SAVE, Boost spacing, tapered 1-1/8" to 1.5" headtube, flat mount brake, StraightShot internal cable routing, BSA-73	Front Derailleur	Shimano SLX, direct mount
Fork	RockShox Judy Gold RL, 100mm, Fast Black Uppers, Solo Air, 15x110, tapered steerer, remote lockout, 42mm offset (27.5") 51mm offset (29")	Rear Derailleur	Shimano Deore XT
Rims	WTB STX i23 TCS, 32h, tubeless ready	Shifters	Shimano SLX, 2x11
Hubs	(F) Shimano MT400 15x110 (R) MT200 Boost 141 QR	Handlebar	Cannondale 3 Riser, 6061 Alloy, 15mm rise, 8° sweep, 4° rise, 760mm
Spokes	Stainless Steel, 14g	Grips	Cannondale Locking Grips
Tires	Schwalbe Rocket Rick, 27.5/29 x 2.25", K-Guard	Stem	Cannondale 3 with Intellimount, alloy, 31.8mm clamp
Pedals	Cannondale Platform	Headset	Semi Integrated, 1-1/8" to 1-1/2"
Crank	Shimano MT600, 36/26	Brakes	Shimano MT400 hydro disc, 180/160mm RT30 rotors
Bottom Bracket	Shimano Deore	Brake Levers	Shimano MT400 hydro disc
Chain	KMC X11, 11-speed	Saddle	Cannondale Stage 3
Rear Cogs	Sunrace, 11-42, 11-speed	Seatpost	Cannondale 3, 6061 Alloy, 31.6 x 350/400mm
		Connectivity	Wheel Sensor
		Sizes	(27.5) XS, S (29) M, L, XL, 2XL
		Color 1	Acid Red (ARD)

Trail 3



C26300M

Frame	SmartForm C2 Alloy, SAVE, Boost spacing, tapered 1-1/8" to 1.5" headtube, flat mount brake, StraightShot internal cable routing, BSA-73	Shifters	SRAM SX Eagle, 12-speed
Fork	RockShox Judy Silver TK, 120mm, Solo Air, 15x110, tapered steerer, 42mm offset (27.5") 51mm offset (29")	Handlebar	Cannondale 3 Riser, 6061 Alloy, 15mm rise, 8° sweep, 4° rise, 760mm
Rims	WTB STX i23 TCS, 32h, tubeless ready	Grips	Cannondale Locking Grips
Hubs	(F) Shimano MT400 15x110 (R) MT200 Boost 141 QR	Stem	Cannondale 3 with Intellimount, alloy, 31.8mm clamp
Spokes	Stainless Steel, 14g	Headset	Semi Integrated, 1-1/8" to 1-1/2"
Tires	WTB Breakout Comp, 27.5/29 x 2.3", DNA Compound	Brakes	Shimano MT200 hydro disc, 180/160mm RT10 rotors
Pedals	Cannondale Platform	Brake Levers	Shimano MT200 hydro disc
Crank	SRAM SX Eagle, 30T	Saddle	Cannondale Stage 3
Bottom Bracket	Truvativ Power Spline	Seatpost	Cannondale 3, 6061 Alloy, 31.6 x 350/400mm
Chain	SRAM SX Eagle, 12-speed	Connectivity	Wheel Sensor
Rear Cogs	SRAM PG-1210, SX Eagle, 11-50, 12-speed	Sizes	(27.5) XS, S (29) M, L, XL, 2XL
Rear Derailleur	SRAM SX Eagle	Color 1	BBQ (BBQ)
		Color 2	Mantis (MAT)

Trail 4



C26400M

Frame	SmartForm C2 Alloy, SAVE, Boost spacing, tapered 1-1/8" to 1.5" headtube, flat mount brake, StraightShot internal cable routing, BSA-73	Rear Derailleur	Shimano Deore GS
Fork	RockShox XC30 TK 29"/27.5", 100mm, rebound, 1-1/8", Coil, 42mm offset (27.5") 51mm offset (29")	Shifters	Shimano Deore, 10-speed
Rims	WTB STX i23 TCS, 32h, tubeless ready	Handlebar	Cannondale 3 Riser, 6061 Alloy, 15mm rise, 8° sweep, 4° rise, 760mm
Hubs	(F) Shimano MT200 15x110 (R) MT200 Boost 141 QR	Grips	Cannondale Dual-Density
Spokes	Stainless Steel, 14g	Stem	6061 Alloy, 31.8, 6°
Tires	WTB Ranger Comp, 27.5/29 x 2.25", DNA Compound	Headset	Semi Integrated, 1-1/8" to 1-1/2" reducer
Pedals	Cannondale Platform	Brakes	Shimano MT200 hydro disc, 180/160mm RT10 rotors
Crank	FSA Alpha Drive, 30T	Brake Levers	Shimano MT200 hydro disc
Bottom Bracket	Sealed Cartridge	Saddle	Cannondale Stage 3
Chain	KMC X10, 10-speed	Seatpost	Cannondale 3, 6061 Alloy, 31.6 x 350/400mm
Rear Cogs	Sunrace, 11-42, 10-speed	Sizes	(27.5) XS, S (29) M, L, XL, 2XL
		Color 1	Charcoal Gray (GRY)
		Color 2	Crush (CRU)

Trail 3



C26350M

Frame	SmartForm C2 Alloy, SAVE, Boost spacing, tapered 1-1/8" to 1.5" headtube, flat mount brake, StraightShot internal cable routing, BSA-73	Rear Derailleur	Shimano SLX GS
Fork	RockShox Judy Silver TK, 100mm, Solo Air, 15x110, remote lockout, 42mm offset (27.5") 51mm offset (29")	Shifters	Shimano SLX, 2x11
Rims	WTB STX i23 TCS, 32h, tubeless ready	Handlebar	Cannondale 3 Riser, 6061 Alloy, 15mm rise, 8° sweep, 4° rise, 760mm
Hubs	(F) Shimano MT400 15x110 (R) MT200 Boost 141 QR	Grips	Cannondale Locking Grips
Spokes	Stainless Steel, 14g	Stem	Cannondale 3 with Intellimount, alloy, 31.8mm clamp
Tires	Schwalbe Rocket Rick, 27.5/29 x 2.25", K-Guard	Headset	Semi Integrated, 1-1/8" to 1-1/2"
Pedals	Cannondale Platform	Brakes	Shimano MT200 hydro disc, 180/160mm RT10 rotors
Crank	FSA Comet, 36/26	Brake Levers	Shimano MT200 hydro disc
Bottom Bracket	FSA MegaExo	Saddle	Cannondale Stage 3
Chain	KMC X11, 11-speed	Seatpost	Cannondale 3, 6061 Alloy, 31.6 x 350/400mm
Rear Cogs	Sunrace, 11-42, 11-speed	Connectivity	Wheel Sensor
Front Derailleur	Shimano SLX, direct mount	Sizes	(27.5) XS, S (29) M, L, XL, 2XL
		Color 1	BBQ (BBQ)
		Color 2	Mantis (MAT)

Trail 4



C26450M

Frame	SmartForm C2 Alloy, SAVE, Boost spacing, tapered 1-1/8" to 1.5" headtube, flat mount brake, StraightShot internal cable routing, BSA-73	Rear Derailleur	Shimano Deore GS
Fork	SR Suntour XCR-RL, 100mm, remote lockout, air sprung, 42mm offset (27.5") 46mm offset (29")	Shifters	Shimano Deore, 2x10
Rims	WTB STX i23 TCS, 32h, tubeless ready	Handlebar	Cannondale 3 Riser, 6061 Alloy, 15mm rise, 8° sweep, 4° rise, 760mm
Hubs	(F) Shimano MT200 15x110 (R) MT200 Boost 141 QR	Grips	Cannondale Dual-Density
Spokes	Stainless Steel, 14g	Stem	6061 Alloy, 31.8, 6°
Tires	Schwalbe Rocket Rick, 27.5/29 x 2.25", K-Guard	Headset	Semi Integrated, 1-1/8" to 1-1/2"
Pedals	Cannondale Platform	Brakes	Shimano MT200 hydro disc, 180/160mm RT30 rotors
Crank	Shimano MT500, 36/26	Brake Levers	Shimano MT200 hydro disc
Bottom Bracket	Shimano MT500	Saddle	Cannondale Stage 3
Chain	KMC X10, 10-speed	Seatpost	Cannondale 3, 6061 Alloy, 31.6 x 350/400mm
Rear Cogs	Sunrace, 11-42, 10-speed	Sizes	(27.5) XS, S (29) M, L, XL, 2XL
Front Derailleur	Shimano Deore, direct mount	Color 1	Charcoal Gray (GRY)
		Color 2	Crush (CRU)

Trail 5



C26500M

Frame	All-New, SmartForm C3 Alloy, SAVE, 1-1/8" headtube, post mount disc, StraightShot internal cable routing, BSA-73	Rear Derailleur	Shimano Acera
Fork	SR Suntour XCM-RL, 100mm, hydraulic cable actuated lockout, Coil, 42mm offset (27.5") 46mm offset (29")	Shifters	Shimano Altus, 2x9
Rims	WTB SX19, 32h	Handlebar	Cannondale Riser, 6061 Alloy, 25mm rise, 8° sweep, 6° rise, 720mm
Hubs	Shimano QR	Grips	Cannondale Dual-Density
Spokes	Stainless Steel, 14g	Stem	6061 Alloy, 31.8, 6°
Tires	WTB Ranger Comp, 27.5/29 x 2.25", DNA Compound	Headset	Semi Integrated, 1-1/8"
Pedals	Cannondale Platform	Brakes	Shimano MT200 hydro disc, 160/160mm RT10 rotors
Crank	FSA Alpha Drive, 36/22	Brake Levers	Shimano MT200 hydro disc
Bottom Bracket	Sealed Cartridge	Saddle	Cannondale Stage 3
Chain	KMC X9, 9-speed	Seatpost	6061 Alloy, 31.6 x 350mm
Rear Cogs	Sunrace, 11-36, 9-speed	Sizes	(27.5) XS, S (29) M, L, XL
Front Derailleur	Shimano Altus, 34.9 clamp	Color 1	Graphite (GRA)
		Color 2	Electric Blue (ELB)

Trail 5



C26550M

Frame	All-New, SmartForm C3 Alloy, SAVE, 1-1/8" headtube, post mount disc, StraightShot internal cable routing, BSA-73	Rear Derailleur	Shimano Deore GS
Fork	SR Suntour XCR32-RL, 100mm, remote lockout, Coil, 42mm offset (27.5") 46mm offset (29")	Shifters	Shimano Deore, 2x10
Rims	WTB SX19, 32h	Handlebar	Cannondale 3 Riser, 6061 Alloy, 15mm rise, 8° sweep, 4° rise, 760mm
Hubs	Shimano QR	Grips	Cannondale Dual-Density
Spokes	Stainless Steel, 14g	Stem	6061 Alloy, 31.8, 6°
Tires	Schwalbe Rocket Rick, 27.5/29 x 2.25", K-Guard	Headset	Semi Integrated, 1-1/8"
Pedals	Cannondale Platform	Brakes	Shimano MT200 hydro disc, 160/160mm RT10 rotors
Crank	Prowheel alloy 2-piece, 36/26	Brake Levers	Shimano MT200 hydro disc
Bottom Bracket	Prowheel	Saddle	Cannondale Stage 3
Chain	KMC X10, 10-speed	Seatpost	6061 Alloy, 31.6 x 350mm
Rear Cogs	Sunrace, 11-42, 10-speed	Sizes	(27.5) XS, S (29) M, L, XL
Front Derailleur	Shimano Deore, 34.9 clamp	Color 1	Graphite (GRA)
		Color 2	Electric Blue (ELB)

Trail 6



C26600M

Frame	All-New, SmartForm C3 Alloy, SAVE, 1-1/8" headtube, post mount disc, StraightShot internal cable routing, BSA-73	Rear Derailleur	Shimano Acera
Fork	SR Suntour XCT, 100mm, hydraulic lockout, Coil, 42mm offset (27.5") 46mm offset (29")	Shifters	Shimano Altus, 3x8
Rims	WTB SX19, 32h	Handlebar	Cannondale Riser, 6061 Alloy, 25mm rise, 8° sweep, 6° rise, 720mm
Hubs	Shimano QR	Grips	Cannondale Dual-Density
Spokes	Stainless Steel, 14g	Stem	6061 Alloy, 31.8, 6°
Tires	WTB Ranger Comp, 27.5/29 x 2.25", DNA Compound	Headset	Semi Integrated, 1-1/8"
Pedals	Cannondale Platform	Brakes	Shimano MT200 hydro disc, 160/160mm RT10 rotors
Crank	Prowheel Forged Alloy, 42/32/22	Brake Levers	Shimano MT200 hydro disc
Bottom Bracket	Sealed Cartridge	Saddle	Cannondale Stage 3
Chain	KMC X8, 8-speed	Seatpost	Cannondale 3, 6061 Alloy, 31.6 x 350/400mm
Rear Cogs	Sunrace, 11-34, 8-speed	Sizes	(27.5) XS, S (29) M, L, XL
Front Derailleur	Shimano Altus, 34.9 clamp	Color 1	Silver (SLV)
		Color 2	Nuclear Yellow (NYW)

Trail 6



C26650M

Frame	All-New, SmartForm C3 Alloy, SAVE, 1-1/8" headtube, post mount disc, StraightShot internal cable routing, BSA-73	Rear Derailleur	Shimano Alivio
Fork	SR Suntour XCM-RL, 100mm, hydraulic cable actuated lockout, Coil, 42mm offset (27.5") 46mm offset (29")	Shifters	Shimano Acera, 2x9
Rims	WTB SX19, 32h	Handlebar	Cannondale Riser, 6061 Alloy, 25mm rise, 8° sweep, 6° rise, 720mm
Hubs	Shimano QR	Grips	Cannondale Dual-Density
Spokes	Stainless Steel, 14g	Stem	6061 Alloy, 31.8, 6°
Tires	Schwalbe Rocket Rick, 27.5/29 x 2.25", K-Guard	Headset	Semi Integrated, 1-1/8"
Pedals	Cannondale Platform	Brakes	Shimano MT200 hydro disc, 160/160mm RT10 rotors
Crank	Shimano MT210, 36/22	Brake Levers	Shimano MT200 hydro disc
Bottom Bracket	Shimano MT210	Saddle	Cannondale Stage 3
Chain	KMC X9, 9-speed	Seatpost	Cannondale 3, 6061 Alloy, 31.6 x 350/400mm
Rear Cogs	Sunrace, 11-36, 9-speed	Sizes	(27.5) XS, S (29) M, L, XL
Front Derailleur	Shimano Altus, 34.9 clamp	Color 1	Silver (SLV)
		Color 2	Nuclear Yellow (NYW)

Trail 7



C26700M

Frame	All-New, SmartForm C3 Alloy, SAVE, 1-1/8" headtube, post mount disc, StraightShot internal cable routing, BSA-73	Rear Derailleur	Shimano TX800
Fork	SR Suntour XCT DS, 100mm, Coil, 42mm offset (27.5") 46mm offset (29")	Shifters	Shimano Altus Rapidfire Plus, 3x8
Rims	WTB SX19, 32h	Handlebar	Cannondale Riser, 6061 Alloy, 25mm rise, 8° sweep, 6° rise, 720mm
Hubs	Sealed Alloy Disc, QR	Grips	Cannondale Dual-Density
Spokes	Stainless Steel, 14g	Stem	6061 Alloy, 31.8, 8°
Tires	WTB Ranger Comp, 27.5/29 x 2.25", DNA Compound	Headset	Semi Integrated, 1-1/8"
Pedals	Cannondale Platform	Brakes	Tektro M275 hydro disc, 160/160mm rotors
Crank	Prowheel Alloy, 42/32/22	Brake Levers	Tektro M275 hydro disc
Bottom Bracket	Sealed Cartridge	Saddle	Cannondale Stage 2
Chain	KMC Z72, 8-speed	Seatpost	Cannondale 3, 6061 Alloy, 31.6 x 350/400mm
Rear Cogs	Sunrace, 11-34, 8-speed	Sizes	(27.5) XS, S (29) M, L, XL
Front Derailleur	Shimano Altus, 34.9 clamp	Color 1	Midnight (MDN)
		Color 2	Acid Red (ARD)

Trail 8



C26800M

Frame	All-New, SmartForm C3 Alloy, SAVE, 1-1/8" headtube, post mount disc, StraightShot internal cable routing, BSA-73	Rear Derailleur	Shimano TX800
Fork	SR Suntour M3030, 75mm, Coil, 42mm offset (27.5") 46mm offset (29")	Shifters	Shimano Easy Fire EF41, 3x7
Rims	WTB SX19, 32h	Handlebar	Cannondale Riser, 6061 Alloy, 25mm rise, 8° sweep, 6° rise, 720mm
Hubs	Sealed Alloy Disc, QR	Grips	Cannondale Dual-Density
Spokes	Stainless Steel, 14g	Stem	6061 Alloy, 31.8, 8°
Tires	WTB Ranger Comp, 27.5/29 x 2.25", DNA Compound	Headset	Semi Integrated, 1-1/8" reducer
Pedals	Cannondale Platform	Brakes	Tektro mechanical disc, 160/160mm rotors
Crank	Prowheel alloy, 42/32/22	Brake Levers	Shimano Easy Fire EF41
Bottom Bracket	Sealed Cartridge	Saddle	Cannondale Stage 2
Chain	KMC Z51, 7-speed	Seatpost	Cannondale 3, 6061 Alloy, 31.6 x 350/400mm
Rear Cogs	Sunrace, 11-34, 7-speed	Sizes	(27.5) XS, S (29) M, L, XL
Front Derailleur	Shimano TY300, 34.9 clamp	Color 1	Graphite (GRA)
		Color 2	Acid Green (AGR)

Trail 7



C26750M

Frame	All-New, SmartForm C3 Alloy, SAVE, 1-1/8" headtube, post mount disc, StraightShot internal cable routing, BSA-73	Rear Derailleur	Shimano Acera
Fork	SR Suntour XCM, 100mm, Coil, 42mm offset (27.5") 46mm offset (29")	Shifters	Shimano Altus, 2x9
Rims	WTB SX19, 32h	Handlebar	Cannondale Riser, 6061 Alloy, 25mm rise, 8° sweep, 6° rise, 720mm
Hubs	Shimano QR	Grips	Cannondale Dual-Density
Spokes	Stainless Steel, 14g	Stem	6061 Alloy, 31.8, 6°
Tires	Schwalbe Rocket Rick, 27.5/29 x 2.25", K-Guard	Headset	Semi Integrated, 1-1/8"
Pedals	Cannondale Platform	Brakes	Shimano MT200 hydro disc, 160/160mm RT10 rotors
Crank	Shimano MT101, 36/22	Brake Levers	Shimano MT200 hydro disc
Bottom Bracket	Sealed Cartridge	Saddle	Cannondale Stage 3
Chain	KMC X9, 9-speed	Seatpost	Cannondale 3, 6061 Alloy, 31.6 x 350/400mm
Rear Cogs	Sunrace, 11-36, 9-speed	Sizes	(27.5) XS, S (29) M, L, XL
Front Derailleur	Shimano Altus, 34.9 clamp	Color 1	Midnight (MDN)
		Color 2	Acid Red (ARD)

Trail 8



C26850M

Frame	All-New, SmartForm C3 Alloy, SAVE, 1-1/8" headtube, post mount disc, StraightShot internal cable routing, BSA-73	Rear Derailleur	Shimano TX800
Fork	SR Suntour XCE28, 100mm, Coil, 42mm offset (27.5") 46mm offset (29")	Shifters	Shimano Altus Rapidfire Plus, 3x8
Rims	WTB SX19, 32h	Handlebar	Cannondale Riser, 6061 Alloy, 25mm rise, 8° sweep, 6° rise, 720mm
Hubs	Sealed Alloy Disc, QR	Grips	Cannondale Dual-Density
Spokes	Stainless Steel, 14g	Stem	6061 Alloy, 31.8, 8°
Tires	Schwalbe Rocket Rick, 27.5/29 x 2.25", K-Guard	Headset	Semi Integrated, 1-1/8"
Pedals	Cannondale Platform	Brakes	Tektro M275 hydro disc, 160/160mm rotors
Crank	Prowheel alloy, 42/32/22	Brake Levers	Tektro M275 hydro disc
Bottom Bracket	Sealed Cartridge	Saddle	Cannondale Stage 3
Chain	KMC Z51, 8-speed	Seatpost	Cannondale 3, 6061 Alloy, 31.6 x 350/400mm
Rear Cogs	Sunrace, 11-34, 8-speed	Sizes	(27.5) XS, S (29) M, L, XL
Front Derailleur	Shimano TY300, 34.9 clamp	Color 1	Graphite (GRA)
		Color 2	Acid Green (AGR)

Level Up



With beautifully crafted frames, progressive geometry and seriously dirt-ready components, Tango hardtails are built to take your riding to the next level, from your first time off-road to your next big adventure.

Key Benefits

Perfectly Framed

Light and lively, stiff and snappy. The Tango frames showcase our decades of expertise in aluminum craftsmanship.

For the 2020 model year, a new frame brings Tango handling and performance to more pricepoints than ever.

Tango 1 & 2: Existing frame - SmartForm C2 Alloy, tapered headtube, Boost QR spacing, flat mount disc

Tango 3 thru 6: New frame - SmartForm C3 Alloy, 1-1/8" headtube, standard QR spacing, post mount disc

Confident Handling

Dirt-Tailored Geometry brings both quickness and composure. Short chainstays for agility and traction, a slack head angle for unwavering stability, plus wide bars and a short stem for total control.

Real Deal

Tango is sweetly priced, but make no mistake — wide range gearing, powerful disc brakes and durable wheels and tires contribute to big trail readiness. Naming this bike was a no-brainer.

Category

Mountain | Trail

Sizes

Models 1 & 2:
XS, S, M (27.5")

Models 3-6:
XS, S (27.5"), M, L (29")

Wheel / Tire Size

Models 1 & 2:
27.5x2.25" (XS, S, M)

Models 3-6:
27.5x2.25" (XS, S),
29x2.25" (M, L)

Travel

120mm (Model 1)

100mm (Models 2-5)

75mm (Model 6)

Level Up



With beautifully crafted frames, progressive geometry and seriously dirt-ready components, Trail hardtails are built to take your riding to the next level, from your first time off-road to your next big adventure.

Key Benefits

Perfectly Framed

Light and lively, stiff and snappy. The Tango frames showcase our decades of expertise in aluminum craftsmanship.

For the 2020 model year, a new frame brings Trailhandling and performance to more pricepoints than ever.

Trail 1 & 2: Existing frame - SmartForm C2 Alloy, tapered headtube, Boost QR spacing, flat mount disc

Trail 3 thru 6: New frame - SmartForm C3 Alloy, 1-1/8' headtube, standard QR spacing, post mount disc

Confident Handling

Dirt-Tailored Geometry brings both quickness and composure. Short chainstays for agility and traction, a slack head angle for unwavering stability, plus wide bars and a short stem for total control.

Real Deal

Trail is sweetly priced, but make no mistake — wide range gearing, powerful disc brakes and durable wheels and tires contribute to big trail readiness. Naming this bike was a no-brainer.

Category

Mountain | Trail

Sizes

Models 1 & 2:
XS, S, M (27.5")

Models 3-6:
XS, S (27.5"), M (29")

Wheel / Tire Size

Models 1 & 2:
27.5x2.25" (XS, S, M)

Models 3-6:
27.5x2.25" (XS, S),
29x2.25" (M, L)

Travel

120mm (Model 1)

100mm (Models 2-5)

75mm (Model 6)

Tango 1



C26100F

Frame	SmartForm C2 Alloy, SAVE, Boost spacing, tapered 1-1/8" to 1.5" headtube, flat mount brake, StraightShot internal cable routing, BSA-73	Rear Derailleur	SRAM SX Eagle
Fork	RockShox Judy Silver TK, 120mm, Solo Air, 15x110, tapered steerer, 42mm offset	Shifters	SRAM SX Eagle, 12-speed
Rims	WTB STX i23 TCS, 32h, tubeless ready	Handlebar	Cannondale 3 Riser, 6061 Alloy, 15mm rise, 8° sweep, 4° rise, 740mm
Hubs	(F) Shimano MT400 15x110 (R) MT200 Boost 141 QR	Grips	Cannondale Low-Profile Locking Grips
Spokes	Stainless Steel, 14g	Stem	Cannondale 3 with Intellimount, alloy, 31.8mm clamp
Tires	WTB Breakout Comp, 27.5/29 x 2.3", DNA Compound	Headset	Semi Integrated, 1-1/8" reducer
Pedals	Cannondale Platform	Brakes	Shimano MT200 hydro disc, 180/160mm RT10 rotors
Crank	SRAM SX Eagle, 30T	Brake Levers	Shimano MT200 hydro disc
Bottom Bracket	Truvativ Power Spline	Saddle	Cannondale Stage 3 Women's Ergo
Chain	SRAM SX Eagle, 12-speed	Seatpost	6061 Alloy, 31.6 x 350mm
Rear Cogs	SRAM PG-1210, SX Eagle, 11-50, 12-speed	Connectivity	Wheel Sensor
		Sizes	(27.5) XS, S, M
		Color 1	Chameleon (CML)

Tango 2



C26200F

Frame	SmartForm C2 Alloy, SAVE, Boost spacing, tapered 1-1/8" to 1.5" headtube, flat mount brake, StraightShot internal cable routing, BSA-73	Rear Derailleur	Shimano Deore GS
Fork	RockShox XC30 TK 27.5", 100mm, rebound, 1-1/8", Coil, 42mm offset	Shifters	Shimano Deore, 10-speed
Rims	WTB STX i23 TCS, 32h, tubeless ready	Handlebar	Cannondale 3 Riser, 6061 Alloy, 15mm rise, 8° sweep, 4° rise, 740mm
Hubs	(F) Shimano MT200 15x110 (R) MT200 Boost 141 QR	Grips	Cannondale Dual-Density
Spokes	Stainless Steel, 14g	Stem	6061 Alloy, 31.8, 6°
Tires	WTB Ranger Comp, 27.5/29 x 2.25", DNA Compound	Headset	Semi Integrated, 1-1/8" reducer
Pedals	Cannondale Platform	Brakes	Shimano MT200 hydro disc, 180/160mm RT10 rotors
Crank	FSA Alpha Drive, 30T	Brake Levers	Shimano MT200 hydro disc
Bottom Bracket	Sealed Cartridge	Saddle	Cannondale Stage 3 Women's Ergo
Chain	KMC X10, 10-speed	Seatpost	6061 Alloy, 31.6 x 350mm
Rear Cogs	Sunrace, 11-42, 10-speed	Sizes	(27.5) XS, S, M
		Color 1	Graphite (GRA)

Trail Women's 1



C26150F

Frame	SmartForm C2 Alloy, SAVE, Boost spacing, tapered 1-1/8" to 1.5" headtube, flat mount brake, StraightShot internal cable routing, BSA-73	Rear Derailleur	SRAM SX Eagle
Fork	RockShox Judy Silver TK, 120mm, Solo Air, 15x110, tapered steerer, 42mm offset	Shifters	SRAM SX Eagle, 12-speed
Rims	WTB STX i23 TCS, 32h, tubeless ready	Handlebar	Cannondale 3 Riser, 6061 Alloy, 15mm rise, 8° sweep, 4° rise, 740mm
Hubs	(F) Shimano MT400 15x110 (R) MT200 Boost 141 QR	Grips	Cannondale Low-Profile Locking Grips
Spokes	Stainless Steel, 14g	Stem	Cannondale 3 with Intellimount, alloy, 31.8mm clamp
Tires	Schwalbe Rocket Rick, 27.5 x 2.25", K-Guard	Headset	Semi Integrated, 1-1/8" to 1-1/2"
Pedals	Cannondale Platform	Brakes	Shimano MT200 hydro disc, 180/160mm RT10 rotors
Crank	SRAM SX Eagle, 30T	Brake Levers	Shimano MT200 hydro disc
Bottom Bracket	FSA MegaExo	Saddle	Cannondale Stage 3
Chain	SRAM SX Eagle, 12-speed	Seatpost	6061 Alloy, 31.6 x 350mm
Rear Cogs	SRAM PG-1210, SX Eagle, 11-50, 12-speed	Connectivity	Wheel Sensor
Front Derailleur	Shimano SLX, direct mount	Sizes	(27.5) XS, S, M
		Color 1	Chameleon (CML)

Trail Women's 2



C26250F

Frame	SmartForm C2 Alloy, SAVE, Boost spacing, tapered 1-1/8" to 1.5" headtube, flat mount brake, StraightShot internal cable routing, BSA-73	Front Derailleur	Shimano Deore, direct mount
Fork	SR Suntour XCR-RL, 100mm, remote lockout, air sprung, 42mm offset	Rear Derailleur	Shimano Deore GS
Rims	WTB STX i23 TCS, 32h, tubeless ready	Shifters	Shimano Deore, 2x10
Hubs	(F) Shimano MT200 15x110 (R) MT200 Boost 141 QR	Handlebar	Cannondale 3 Riser, 6061 Alloy, 15mm rise, 8° sweep, 4° rise, 740mm
Spokes	Stainless Steel, 14g	Grips	Cannondale Dual-Density
Tires	Schwalbe Rocket Rick, 27.5 x 2.25", K-Guard	Stem	6061 Alloy, 31.8, 6°
Pedals	Cannondale Platform	Headset	Semi Integrated, 1-1/8" to 1-1/2"
Crank	Shimano MT500, 36/26	Brakes	Shimano MT200 hydro disc, 180/160mm RT30 rotors
Bottom Bracket	Shimano MT500	Brake Levers	Shimano MT200 hydro disc
Chain	KMC X10, 10-speed	Saddle	Cannondale Stage 3 Women's Ergo
Rear Cogs	Sunrace, 11-42, 10-speed	Seatpost	6061 Alloy, 31.6 x 350mm
		Sizes	(27.5) XS, S, M
		Color 1	Graphite (GRA)

Tango 3



C26300F

Frame	All-New, SmartForm C3 Alloy, SAVE, 1-1/8" headtube, post mount disc, StraightShot internal cable routing, BSA-73
Fork	SR Suntour XCM-RL, 100mm, hydraulic cable actuated lockout, Coil, 42mm offset (27.5") 46mm offset (29")
Rims	WTB SX19, 32h
Hubs	Shimano QR
Spokes	Stainless Steel, 14g
Tires	WTB Ranger Comp, 27.5/29 x 2.25", DNA Compound
Pedals	Cannondale Platform
Crank	FSA Alpha Drive, 36/22
Bottom Bracket	Sealed Cartridge
Chain	KMC X9, 9-speed
Rear Cogs	Sunrace, 11-36, 9-speed
Front Derailleur	Shimano Altus, 34.9 clamp

Rear Derailleur	Shimano Acera
Shifters	Shimano Altus, 2x9
Handlebar	Cannondale Riser, 6061 Alloy, 25mm rise, 8° sweep, 6° rise, 720mm
Grips	Cannondale Dual-Density
Stem	6061 Alloy, 31.8, 6°
Headset	Semi Integrated, 1-1/8" reducer
Brakes	Shimano MT200 hydro disc, 160/160mm RT10 rotors
Brake Levers	Shimano MT200 hydro disc
Saddle	Cannondale Stage 3 Women's Ergo
Seatpost	6061 Alloy, 31.6 x 350mm
Sizes	(27.5) XS (29) S,M, L
Color 1	Emerald (EMR)

Tango 4



C26400F

Frame	All-New, SmartForm C3 Alloy, SAVE, 1-1/8" headtube, post mount disc, StraightShot internal cable routing, BSA-73
Fork	SR Suntour XCT, 100mm, hydraulic lockout, Coil, 42mm offset (27.5") 46mm offset (29")
Rims	WTB SX19, 32h
Hubs	Shimano QR
Spokes	Stainless Steel, 14g
Tires	WTB Ranger Comp, 27.5/29 x 2.25", DNA Compound
Pedals	Cannondale Platform
Crank	Shimano TY301, 42/32/22
Bottom Bracket	Sealed Cartridge
Chain	KMC X8, 8-speed
Rear Cogs	Sunrace, 11-34, 8-speed
Front Derailleur	Shimano Altus, 34.9 clamp

Rear Derailleur	Shimano Acera
Shifters	Shimano Altus, 3x8
Handlebar	Cannondale Riser, 6061 Alloy, 25mm rise, 8° sweep, 6° rise, 720mm
Grips	Cannondale Dual-Density
Stem	6061 Alloy, 31.8, 6°
Headset	Semi Integrated, 1-1/8" reducer
Brakes	Shimano MT200 hydro disc, 160/160mm RT10 rotors
Brake Levers	Shimano MT200 hydro disc
Saddle	Cannondale Stage 2 Women's
Seatpost	6061 Alloy, 31.6 x 350mm
Sizes	(27.5) XS (29) S,M, L
Color 1	Electric Blue (ELB)

Trail Women's 3



C26350F

Frame	All-New, SmartForm C3 Alloy, SAVE, 1-1/8" headtube, post mount disc, StraightShot internal cable routing, BSA-73
Fork	SR Suntour XCT32 RL, 100mm, remote lockout, Coil, 42mm offset (27.5") 46mm offset (29")
Rims	WTB SX19, 32h
Hubs	Shimano QR
Spokes	Stainless Steel, 14g
Tires	Schwalbe Rocket Rick, 27.5/29 x 2.25", K-Guard
Pedals	Cannondale Platform
Crank	Prowheel alloy 2-piece, 36/26
Bottom Bracket	Prowheel
Chain	KMC X10, 10-speed
Rear Cogs	Sunrace, 11-42, 10-speed
Front Derailleur	Shimano Deore, 34.9 clamp

Rear Derailleur	Shimano Deore GS
Shifters	Shimano Deore, 2x10
Handlebar	Cannondale 3 Riser, 6061 Alloy, 15mm rise, 8° sweep, 4° rise, 760mm
Grips	Cannondale Dual-Density
Stem	6061 Alloy, 31.8, 6°
Headset	Semi Integrated, 1-1/8"
Brakes	Shimano MT200 hydro disc, 160/160mm RT10 rotors
Brake Levers	Shimano MT200 hydro disc
Saddle	Cannondale Stage 3 Women's Ergo
Seatpost	6061 Alloy, 31.6 x 350mm
Sizes	(27.5) XS (29) S,M, L
Color 1	Emerald (EMR)

Trail Women's 4



C26450F

Frame	All-New, SmartForm C3 Alloy, SAVE, 1-1/8" headtube, post mount disc, StraightShot internal cable routing, BSA-73
Fork	SR Suntour XCM-RL, 100mm, hydraulic cable actuated lockout, Coil, 42mm offset (27.5") 46mm offset (29")
Rims	WTB SX19, 32h
Hubs	Shimano QR
Spokes	Stainless Steel, 14g
Tires	Schwalbe Rocket Rick, 27.5/29 x 2.25", K-Guard
Pedals	Cannondale Platform
Crank	Shimano MT210, 36/22
Bottom Bracket	Shimano MT210
Chain	KMC X9, 9-speed
Rear Cogs	Sunrace, 11-36, 9-speed
Front Derailleur	Shimano Altus, 34.9 clamp

Rear Derailleur	Shimano Alivio
Shifters	Shimano Acera, 2x9
Handlebar	Cannondale Riser, 6061 Alloy, 25mm rise, 8° sweep, 6° rise, 720mm
Grips	Cannondale Dual-Density
Stem	6061 Alloy, 31.8, 6°
Headset	Semi Integrated, 1-1/8"
Brakes	Shimano MT200 hydro disc, 160/160mm RT10 rotors
Brake Levers	Shimano MT200 hydro disc
Saddle	Cannondale Stage 3 Women's Ergo
Seatpost	6061 Alloy, 31.6 x 350mm
Sizes	(27.5) XS (29) S,M, L
Color 1	Electric Blue (ELB)

Tango 5



C26500F

Frame	All-New, SmartForm C3 Alloy, SAVE, 1-1/8" headtube, post mount disc, StraightShot internal cable routing, BSA-73	Rear Derailleur	Shimano TX800
Fork	SR Suntour XCT DS, 100mm, Coil, 42mm offset (27.5") 46mm offset (29")	Shifters	Shimano Altus, 3x8
Rims	WTB SX19, 32h	Handlebar	Cannondale Riser, 6061 Alloy, 25mm rise, 8° sweep, 6° rise, 720mm
Hubs	Sealed Alloy Disc, QR	Grips	Cannondale Dual-Density
Spokes	Stainless Steel, 14g	Stem	6061 Alloy, 31.8, 8°
Tires	WTB Ranger Comp, 27.5/29 x 2.25", DNA Compound	Headset	Semi Integrated, 1-1/8" reducer
Pedals	Cannondale Platform	Brakes	Tektro M275 hydro disc, 160/160mm rotors
Crank	Prowheel alloy, 42/32/22	Brake Levers	Tektro M275 hydro disc
Bottom Bracket	Sealed Cartridge	Saddle	Cannondale Stage 2 Women's
Chain	KMC Z72, 8-speed	Seatpost	6061 Alloy, 31.6 x 350mm
Rear Cogs	Sunrace, 11-34, 8-speed	Sizes	(27.5) XS, S (29) M, L
Front Derailleur	Shimano Altus, 34.9 clamp	Color 1	Meteor Gray (MTG)
		Color 2	Black (BLK)

Tango 6



C26600F

Frame	All-New, SmartForm C3 Alloy, SAVE, 1-1/8" headtube, post mount disc, StraightShot internal cable routing, BSA-73	Rear Derailleur	Shimano TX800
Fork	SR Suntour M3030, 75mm, Coil, 42mm offset (27.5") 46mm offset (29")	Shifters	Shimano Easy Fire EF41, 3x7
Rims	WTB SX19, 32h	Handlebar	Cannondale Riser, 6061 Alloy, 25mm rise, 8° sweep, 6° rise, 720mm
Hubs	Sealed Alloy Disc, QR	Grips	Cannondale Dual-Density
Spokes	Stainless Steel, 14g	Stem	6061 Alloy, 31.8, 8°
Tires	WTB Ranger Comp, 27.5/29 x 2.25", DNA Compound	Headset	Semi Integrated, 1-1/8"
Pedals	Cannondale Platform	Brakes	Tektro mechanical disc, 160/160mm rotors
Crank	Prowheel alloy, 42/34/24	Brake Levers	Shimano Easy Fire EF41
Bottom Bracket	Sealed Cartridge	Saddle	Cannondale Stage 2 Women's
Chain	KMC Z51, 7-speed	Seatpost	6061 Alloy, 31.6 x 350mm
Rear Cogs	Sunrace, 11-34, 7-speed	Sizes	(27.5) XS, S (29) M, L
Front Derailleur	Shimano TY300, 34.9 clamp	Color 1	Turquoise (TRQ)
		Color 2	Grey (GRY)

Trail Women's 5



C26550F

Frame	All-New, SmartForm C3 Alloy, SAVE, 1-1/8" headtube, post mount disc, StraightShot internal cable routing, BSA-73	Rear Derailleur	Shimano Acera
Fork	SR Suntour XCM, 100mm, Coil, 42mm offset (27.5") 46mm offset (29")	Shifters	Shimano Altus, 2x9
Rims	WTB SX19, 32h	Handlebar	Cannondale Riser, 6061 Alloy, 25mm rise, 8° sweep, 6° rise, 720mm
Hubs	Shimano QR	Grips	Cannondale Dual-Density
Spokes	Stainless Steel, 14g	Stem	6061 Alloy, 31.8, 6°
Tires	Schwalbe Rocket Rick, 27.5/29 x 2.25", K-Guard	Headset	Semi Integrated, 1-1/8"
Pedals	Cannondale Platform	Brakes	Shimano MT200 hydro disc, 160/160mm RT10 rotors
Crank	Shimano MT101, 36/22	Brake Levers	Shimano MT200 hydro disc
Bottom Bracket	Sealed Cartridge	Saddle	Cannondale Stage 3 Women's Ergo
Chain	KMC X9, 9-speed	Seatpost	6061 Alloy, 31.6 x 350mm
Rear Cogs	Sunrace, 11-36, 9-speed	Sizes	(27.5) XS, S (29) M, L
Front Derailleur	Shimano Altus, 34.9 clamp	Color 1	Meteor Gray (MTG)
		Color 2	Black (BLK)

Trail Women's 6



C26650F

Frame	All-New, SmartForm C3 Alloy, SAVE, 1-1/8" headtube, post mount disc, StraightShot internal cable routing, BSA-73	Rear Derailleur	Shimano TX800
Fork	SR Suntour XCE28, 100mm, Coil, 42mm offset (27.5") 46mm offset (29")	Shifters	Shimano Altus, 3x8
Rims	WTB SX19, 32h	Handlebar	Cannondale Riser, 6061 Alloy, 25mm rise, 8° sweep, 6° rise, 720mm
Hubs	Sealed Alloy Disc, QR	Grips	Cannondale Dual-Density
Spokes	Stainless Steel, 14g	Stem	6061 Alloy, 31.8, 8°
Tires	Schwalbe Rocket Rick, 27.5/29 x 2.25", K-Guard	Headset	Semi Integrated, 1-1/8"
Pedals	Cannondale Platform	Brakes	Tektro M275 hydro disc, 160/160mm rotors
Crank	Prowheel alloy, 42/32/22	Brake Levers	Tektro M275 hydro disc
Bottom Bracket	Sealed Cartridge	Saddle	Cannondale Stage 3 Women's Ergo
Chain	KMC Z51, 8-speed	Seatpost	6061 Alloy, 31.6 x 350mm
Rear Cogs	Sunrace, 11-34, 8-speed	Sizes	(27.5) XS, S (29) M, L
Front Derailleur	Shimano TY300, 34.9 clamp	Color 1	Turquoise (TRQ)
		Color 2	Grey (GRY)

Fat and Fast



A fat bike with the soul of a racer.

Key Benefits

- **Steering You Right**
OutFront steering geometry makes the most of that big contact patch: Slack and stable for rowdy descents, with an increased fork offset for unusually light, agile steering.
- **Keep It Tight**
Thanks to our System Integrated cranks and offset chainrings, the FAT CAAD's Q-factor is up to 2.5cm narrower than the competition, so it feels like riding a bike, not a horse.
- **Speed Metal**
No one does aluminum like Cannondale. Our ultralight, stiff and durable SmartForm C1 Alloy construction is the result of more than three decades of pioneering innovation.

Category	Sizes	Wheel / Tire Size
Mountain Fat Bike	XS, SM, MD, LG, XL	27.5+ x3.8

Fat CAAD 1



C28100M

Frame	SmartForm C1 Alloy, BB30XL, SAVE, 1.5 Si head tube	Shifters	Shimano SLX, 11-speed
Fork	Cannondale Fatty, Fat Rigid, 15x150mm, 1.5 tapered steerer, 55mm offset	Handlebar	Cannondale 3 Riser, 6061 Alloy, 15mm rise, 8° sweep, 4° rise, 780mm
Rims	Sun Ringle Mulefüt 80 SL, tubeless ready	Grips	Cannondale Locking Grips
Hubs	(F) Sun Ringle SRC 15x150 (R) Sun Ringle SRC 12x197	Stem	Cannondale 3, 6061 Alloy, 31.8, 7°
Spokes	Stainless Steel, 14g	Headset	Tange Seiki, Integrated, 1-1/8"-1-1/2"
Tires	(F) Maxxis Minion FBR, 27.5 x 3.8", EXO, tubeless ready (R) Maxxis Minion FBR, 27.5 x 3.8", EXO, tubeless ready	Brakes	Tektro 4-piston hydro disc, 180/160mm rotors
Pedals	Not Included	Brake Levers	Tektro M745 hydro disc
Crank	Cannondale 1, BB30, Ai Offset SpideRing, X-Sync®, 30T	Saddle	Cannondale Stage 3
Bottom Bracket	Cannondale BB30XL	Seatpost	Cannondale 3, 6061 Alloy, 31.6 x 400mm
Chain	KMC X11, 11-speed	Sizes	XS, S, M, L, XL
Rear Cogs	Sunrace, 11-46, 11-speed	Color 1	Charcoal Gray (GRY)
Rear Derailleur	Shimano SLX GS		

Declare Victory



The ultimate XC race bike. Built to win on today's aggressive World Cup courses or rule your local loop.

Key Benefits

- **Course-Slaying Geometry**
All the precision and quickness you expect from a top XC rig, but with unreal stability and traction. Go full gas where others hesitate.
- **Full-Throttle Efficiency**
One of the lightest dual suspension bikes in the world. Taut, tuned chassis stiffness and supple yet supportive suspension let you own the climbs, rule the descents and crush the sprints.
- **The Best XC Fork...Period**
Simply the most advanced, smoothest, most precise-handling ultralight XC fork ever made. Its one-of-a-kind design lets it float through the chop and steer through the chunder like nothing else.

Category

Mountain | Cross
Country

Sizes

Women's:
XS, S (27.5) M (29)

Men's:
S (27.5) M, L, X (29)

Wheel / Tire Size

27.5×2.25" (XS, S)
29×2.25" (M, L, XL)

Travel

(F) 100mm (R) 100mm

Scalpel Si Hi-MOD World Cup



C24100M

Frame	BallisTec Hi-MOD Carbon, 100mm travel, Zero Pivot seatstay, Carbon Link, PF30-83, 1.5 Si head tube, Ai Offset	Chain	SRAM XX1 Eagle, 12-speed
Fork	Lefty Ocho Carbon, 27.5/29", 100mm, Chamber Damper with cable lockout, OppO Spring System, tapered steerer, 50/55mm offset	Rear Cogs	SRAM XG-1299, 10-50, 12-speed
Rear Shock	Fox Float Factory DPS EVOL, 100mm, remote-actuated, Kashima coating	Rear Derailleur	SRAM XX1 Eagle AXS
Rims	ENVE M525 Carbon, 24h, tubeless ready	Shifters	SRAM Eagle AXS, 12-speed
Hubs	(F) Lefty 60 (R) DT Swiss C36 12x142 rear w/ XD Driver	Handlebar	ENVE M5, Carbon, 760mm, 31.8mm, 5mm rise, 9° sweep
Spokes	DT Swiss Aerolite (Ai Offset dish - rear)	Grips	Cannondale Locking Grips
Tires	(F) Schwalbe Racing Ray 27.5/29 x 2.25", Snake Skin, Addix Speedgrip Compound, tubeless ready (R) Schwalbe Racing Ralph 27.5/29 x 2.25", Snake Skin, Addix Speed Compound, tubeless ready	Stem	Cannondale 1, 7075 Alloy, 1-1/8", 31.8, 7°
Pedals	Not Included	Headset	Integrated, 1-1/8 to 1.5", sealed angular contact bearings (Integrated steer stop size small only)
Crank	SRAM XX1 Eagle DUB, 34T, Ai offset	Brakes	SRAM Level Ultimate hydro disc, 180/160mm Centerline rotors
Bottom Bracket	SRAM DUB PF30 MTB83	Brake Levers	SRAM Level Ultimate hydro disc
		Saddle	Prologo Zero II, Tirox rails
		Seatpost	ENVE Carbon, 31.6 x 400mm, 0mm offset
		Connectivity	Wheel Sensor
		Sizes	S, M, L, XL
		Color 1	Replica (REP)

Scalpel Si Carbon 2



C24200M

Frame	BallisTec Carbon, 100mm travel, Zero Pivot seatstay, Carbon Link, PF30-83, 1.5 Si head tube, Ai Offset	Bottom Bracket	Cannondale Alloy PressFit30
Fork	Lefty Ocho Carbon, 27.5/29", 100mm, Chamber Damper with cable lockout, OppO Spring System, tapered steerer, 50/55mm offset	Chain	Shimano XT, 12-speed
Rear Shock	Fox Float DPS Performance EVOL, 100mm, remote-actuated	Rear Cogs	Shimano XT, 10-51, 12-speed
Rims	HollowGram 23, Superlight Hi-Impact Carbon, 28h, 23mm inner width, tubeless ready	Rear Derailleur	Shimano XTR, Shadow Plus
Hubs	(F) Lefty 60 (R) HollowGram 12x142 rear w/ DT Swiss internals, Micro Spline	Shifters	Shimano XT, 12-speed
Spokes	Formula Grand Forza Stainless, straight pull (Ai Offset dish - rear)	Handlebar	Cannondale 1 Flat, Carbon, 31.8mm, 9° backsweep, 760mm
Tires	(F) Schwalbe Racing Ray 27.5/29 x 2.25", Snake Skin, Addix Speedgrip Compound, tubeless ready (R) Schwalbe Racing Ralph 27.5/29 x 2.25", Snake Skin, Addix Speed Compound, tubeless ready	Grips	Cannondale Locking Grips
Pedals	Not Included	Stem	Cannondale 1, 7075 Alloy, 1-1/8", 31.8, 7°
Crank	HollowGram, BB30a, 34T, Ai offset	Headset	Integrated, 1-1/8 to 1.5", sealed angular contact bearings (Integrated steer stop size small only)
		Brakes	Shimano Deore XT Race disc, 180/160mm XT rotors
		Brake Levers	Shimano Deore XT hydro disc
		Saddle	Fabric Scoop Flat Race, titanium rails
		Seatpost	Cannondale 2 Carbon, Micro Adjust, 31.6x400mm
		Connectivity	Wheel Sensor
		Sizes	S, M, L, XL
		Color 1	Charcoal Gray (GRY)

Scalpel Si Hi-MOD 1



C24150M

Frame	BallisTec Hi-MOD Carbon, 100mm travel, Zero Pivot seatstay, Carbon Link, PF30-83, 1.5 Si head tube, Ai Offset	Bottom Bracket	Cannondale Alloy PressFit30
Fork	Lefty Ocho Carbon, 27.5/29", 100mm, Chamber Damper with cable lockout, OppO Spring System, tapered steerer, 50/55mm offset	Chain	Shimano XTR, 12-speed
Rear Shock	Fox Float Factory DPS EVOL, 100mm, remote-actuated, Kashima coating	Rear Cogs	Shimano XT, 10-51, 12-speed
Rims	HollowGram 23, Superlight Hi-Impact Carbon, 28h, 23mm inner width, tubeless ready	Rear Derailleur	Shimano XTR, Shadow Plus
Hubs	(F) Lefty 60 (R) Hollowgram w/ DT internals 12x142 w/ Micro Spline	Shifters	Shimano XTR, 12-speed
Spokes	DT Swiss Competition Race (Ai Offset dish - rear)	Handlebar	ENVE M5, Carbon, 760mm, 31.8mm, 5° rise, 9° sweep
Tires	(F) Schwalbe Racing Ray 27.5/29 x 2.25", Snake Skin, Addix Speedgrip Compound, tubeless ready (R) Schwalbe Racing Ralph 27.5/29 x 2.25", Snake Skin, Addix Speed Compound, tubeless ready	Grips	Cannondale Locking Grips
Pedals	Not Included	Stem	Cannondale 1, 7075 Alloy, 1-1/8", 31.8, 7°
Crank	HollowGram, BB30 w/X-Sync® SpideRing, 34T, Ai offset	Headset	Integrated, 1-1/8 to 1.5", sealed angular contact bearings (Integrated steer stop size small only)
		Brakes	Shimano XTR Race, 180/160mm Ice Tech rotors
		Brake Levers	Shimano XTR Race
		Saddle	Fabric Scoop Flat Race, titanium rails
		Seatpost	ENVE Carbon, 31.6 x 400mm, 0mm offset
		Connectivity	Wheel Sensor
		Sizes	S, M, L, XL
		Color 1	BBQ (BBQ)

Scalpel Si Carbon 3



C24300M

Frame	BallisTec Carbon, 100mm travel, Zero Pivot seatstay, Carbon Link, PF30-83, 1.5 Si head tube, Ai Offset	Chain	SRAM GX Eagle, 12-speed
Fork	Lefty Ocho, 27.5/29", 100mm, Chamber Damper with cable lockout, OppO Spring System, tapered steerer, 50/55mm offset	Rear Cogs	SRAM XG-1275, GX Eagle, 10-50, 12-speed
Rear Shock	Fox Float DPS Performance EVOL, 100mm, remote-actuated	Rear Derailleur	SRAM X01 Eagle
Rims	HollowGram 23, Superlight Hi-Impact Carbon, 28h, 23mm inner width, tubeless ready	Shifters	SRAM GX Eagle, 12-speed
Hubs	(F) Lefty 60 (R) HollowGram 12x142 rear w/ DT Swiss internals, XD driver	Handlebar	Cannondale 2 Flat, butted 2014 Alloy, 31.8mm, 3° rise, 8° sweep, 760mm
Spokes	Formula Grand Forza Stainless, straight pull (Ai Offset dish - rear)	Grips	Cannondale Locking Grips
Tires	(F) Schwalbe Racing Ray 27.5/29 x 2.25", Snake Skin, Addix Speedgrip Compound, tubeless ready (R) Schwalbe Racing Ralph 27.5/29 x 2.25", Snake Skin, Addix Speed Compound, tubeless ready	Stem	Cannondale 1, 7075 Alloy, 1-1/8", 31.8, 7°
Pedals	Not Included	Headset	Integrated, 1-1/8 to 1.5", sealed angular contact bearings (Integrated steer stop size small only)
Crank	Truvativ Stylo 6K DUB, 34T, Ai offset	Brakes	SRAM Level TL hydro disc, 180/160mm Centerline rotors
Bottom Bracket	SRAM DUB PF30 MTB83	Brake Levers	SRAM Level TL hydro disc
		Saddle	Fabric Scoop Flat Elite, cro-mo rails
		Seatpost	Cannondale 2, 7075 Alloy, 31.6 x 400mm
		Connectivity	Wheel Sensor
		Sizes	S, M, L, XL
		Color 1	Acid Red (ARD)

Scalpel Si Carbon 4



C24400M

Frame	BallisTec Carbon, 100mm travel, Zero Pivot seatstay, Carbon Link, PF30-83, 1.5 Si head tube, Ai Offset	Rear Derailleur	SRAM GX Eagle
Fork	Lefty Ocho, 27.5/29", 100mm, Chamber Damper with cable lockout, OppO Spring System, tapered steerer, 50/55mm offset	Shifters	SRAM NX Eagle, 12-speed
Rear Shock	RockShox Monarch RL	Handlebar	Cannondale 2 Flat, butted 2014 Alloy, 31.8mm, 3° rise, 8° sweep, 760mm
Rims	Stan's NoTubes Crest S1, 28h, tubeless ready	Grips	Cannondale Locking Grips
Hubs	(F) Lefty 60 (R) Formula 12x142 w/ HG driver	Stem	Cannondale 3, 6061 Alloy, 31.8, 7°
Spokes	DT Swiss Competition (Ai Offset dish - rear)	Headset	Integrated, 1-1/8 to 1.5", sealed angular contact bearings (Integrated steer stop size small only)
Tires	(F) Schwalbe Racing Ray Performance 27.5/29 x 2.25", Addix Compound, tubeless ready (R) Schwalbe Racing Ralph Performance 27.5/29 x 2.25", Addix Compound, tubeless ready	Brakes	SRAM Level TL hydro disc, 180/160mm Centerline rotors
Pedals	Not Included	Brake Levers	SRAM Level TL hydro disc
Crank	Truvativ Stylo 6K DUB, 34T, Ai offset	Saddle	Fabric Scoop Flat Elite, cro-mo rails
Bottom Bracket	SRAM DUB PF30 MTB83	Seatpost	Cannondale 2, 7075 Alloy, 31.6 x 400mm
Chain	SRAM NX Eagle, 12-speed	Connectivity	Wheel Sensor
Rear Cogs	SRAM PG-1230, NX Eagle, 11-50, 12-speed	Sizes	S, M, L, XL
		Color 1	Black Pearl (BPL)
		Color 2	Acid Green (AGR)

Scalpel Si 6



C24600M

Frame	SmartForm C1 Alloy, 100mm travel, Zero Pivot seatstay, Carbon Link, PF30-83, 1.5 Si head tube, Ai Offset	Rear Cogs	SRAM PG-1210, SX Eagle, 11-50, 12-speed
Fork	RockShox Reba RL, 100mm, Solo Air, 15x110, tapered steerer, 51/42mm offset	Rear Derailleur	SRAM NX Eagle
Rear Shock	RockShox Monarch RL	Shifters	SRAM SX Eagle, 12-speed
Rims	WTB STX i21 TCS, 28h, tubeless ready	Handlebar	Cannondale 3 Flat, 6061 double-butted Alloy, 31.8mm, 3° rise, 8° sweep, 760mm
Hubs	(F) Formula 15x100 (R) Formula 12x142 w/ HG driver	Grips	Cannondale Locking Grips
Spokes	DT Swiss Competition (Ai Offset dish - rear)	Stem	Cannondale 3, 6061 Alloy, 31.8, 7°
Tires	(F) Schwalbe Racing Ray Performance 27.5/29 x 2.25", Addix Compound, tubeless ready (R) Schwalbe Racing Ralph Performance 27.5/29 x 2.25", Addix Compound, tubeless ready	Headset	Integrated, 1-1/8 to 1.5", sealed angular contact bearings (Integrated steer stop size small only)
Pedals	Not Included	Brakes	Shimano MT400 hydro disc, 180/160mm RT56 rotors
Crank	SRAM X1-1000 Eagle DUB, 34T, Ai offset	Brake Levers	Shimano MT400 hydro disc
Bottom Bracket	SRAM DUB PF30 MTB83	Saddle	Cannondale Stage 3
Chain	SRAM SX Eagle, 12-speed	Seatpost	Cannondale 3, 6061 Alloy, 31.6 x 400mm
		Sizes	S, M, L, XL
		Color 1	Black (BLK)

Scalpel Si 5



C24500M

Frame	SmartForm C1 Alloy, 100mm travel, Zero Pivot seatstay, Carbon Link, PF30-83, 1.5 Si head tube, Ai Offset	Rear Cogs	SRAM PG-1230, NX Eagle, 11-50, 12-speed
Fork	RockShox SID Select, 100mm, Debonair, 15x110, tapered steerer, 42/51mm offset	Rear Derailleur	SRAM NX Eagle
Rear Shock	RockShox Monarch RL	Shifters	SRAM NX Eagle, 12-speed
Rims	WTB STX i21 TCS, 28h, tubeless ready	Handlebar	Cannondale 3 Flat, 6061 double-butted Alloy, 31.8mm, 3° rise, 8° sweep, 760mm
Hubs	(F) Lefty 60 (R) Formula 12x142 w/ HG driver	Grips	Cannondale Locking Grips
Spokes	DT Swiss Competition (Ai Offset dish - rear)	Stem	Cannondale 3, 6061 Alloy, 31.8, 7°
Tires	(F) Schwalbe Racing Ray Performance 27.5/29 x 2.25", Addix Compound, tubeless ready (R) Schwalbe Racing Ralph Performance 27.5/29 x 2.25", Addix Compound, tubeless ready	Headset	Integrated, 1-1/8 to 1.5", sealed angular contact bearings (Integrated steer stop size small only)
Pedals	Not Included	Brakes	Shimano MT500 hydro disc, 180/160mm RT56 rotors
Crank	Truvativ Stylo 6K DUB, 34T, Ai offset	Brake Levers	Shimano MT500 hydro disc
Bottom Bracket	SRAM DUB PF30 MTB83	Saddle	Fabric Scoop Shallow Sport, steel rails
Chain	SRAM NX Eagle, 12-speed	Seatpost	Cannondale 3, 6061 Alloy, 31.6 x 350mm
		Sizes	S, M, L, XL
		Color 1	Graphite (GRA)

Scalpel Si Carbon Women's 1



C24100F

Frame	BallisTec Carbon, 100mm travel, Zero Pivot seatstay, Carbon Link, PF30-83, 1.5 Si head tube, Ai Offset	Rear Cogs	SRAM XG-1275, GX Eagle, 10-50, 12-speed
Fork	Lefty Ocho, 27.5/29", 100mm, Chamber Damper with cable lockout, OppO Spring System, tapered steerer, 50/55mm offset	Rear Derailleur	SRAM X01 Eagle
Rear Shock	Fox Float DPS Performance EVOL, 100mm, remote-actuated	Shifters	SRAM GX Eagle, 12-speed
Rims	HollowGram 23, Superlight Hi-Impact Carbon, 28h, 23mm inner width, tubeless ready	Handlebar	Cannondale 2 Flat, butted 2014 Alloy, 31.8mm, 3° rise, 8° sweep, 760mm
Hubs	(F) Lefty 60 (R) Hollowgram w/ DT internals 12x142 w/ XD driver	Grips	Cannondale Low-Profile Locking Grips
Spokes	Formula Grand Forza Stainless (Ai Offset dish - rear)	Stem	Cannondale 1, 7075 Alloy, 1-1/8", 31.8, 7°
Tires	(F) Schwalbe Racing Ray 27.5/29 x 2.25", Snake Skin, Addix Speedgrip Compound, tubeless ready (R) Schwalbe Racing Ralph 27.5/29 x 2.25", Snake Skin, Addix Speed Compound, tubeless ready	Headset	Integrated, 1-1/8 to 1.5", sealed angular contact bearings (Integrated steer stop size small only)
Pedals	Not Included	Brakes	SRAM Level TL hydro disc, 180/160mm Centerline rotors
Crank	Truvativ Stylo 6K DUB, 34T (XS, S), 32T (M), Ai offset	Brake Levers	SRAM Level TL hydro disc
Bottom Bracket	SRAM DUB PF30 MTB83	Saddle	Fabric Line Shallow Sport, steel rails
Chain	SRAM GX Eagle, 12-speed	Seatpost	Cannondale 2, 7075 Alloy, 31.6 x 400mm
		Connectivity	Wheel Sensor
		Sizes	XS, S, M
		Color 1	Maroon (MRN)

Scalpel Si Carbon Women's 2



C24200F

Frame	BallisTec Carbon, 100mm travel, Zero Pivot seatstay, Carbon Link, PF30-83, 1.5 Si head tube, Ai Offset	Rear Derailleur	SRAM GX Eagle
Fork	Lefty Ocho, 27.5/29", 100mm, Chamber Damper with cable lockout, OppO Spring System, tapered steerer, 50/55mm offset	Shifters	SRAM NX Eagle, 12-speed
Rear Shock	RockShox Monarch RL	Handlebar	Cannondale 2 Flat, butted 2014 Alloy, 31.8mm, 3° rise, 8° sweep, 760mm
Rims	Stan's NoTubes Crest S1, 28h, tubeless ready	Grips	Cannondale Low-Profile Locking Grips
Hubs	(F) Lefty 60 (R) Formula 12x142 w/ HG driver	Stem	Cannondale 3, 6061 Alloy, 31.8, 7°
Spokes	DT Swiss Competition (Ai Offset dish - rear)	Headset	Integrated, 1-1/8 to 1.5", sealed angular contact bearings (Integrated steer stop size small only)
Tires	(F) Schwalbe Racing Ray Performance 27.5/29 x 2.25", Addix Compound, tubeless ready (R) Schwalbe Racing Ralph Performance 27.5/29 x 2.25", Addix Compound, tubeless ready	Brakes	SRAM Level TL hydro disc, 180/160mm Centerline rotors
Pedals	Not Included	Brake Levers	SRAM Level TL hydro disc
Crank	Truvativ Stylo 6K DUB, 34T (XS, S) 32T (M), Ai offset	Saddle	Fabric Line Shallow Sport, steel rails
Bottom Bracket	SRAM DUB PF30 MTB83	Seatpost	Cannondale 2, 7075 Alloy, 31.6 x 400mm
Chain	SRAM NX Eagle, 12-speed	Connectivity	Wheel Sensor
Rear Cogs	SRAM PG-1230, NX Eagle, 11-50, 12-speed	Sizes	XS, S, M
		Color 1	Agave (AGV)

Full Tilt XC



A mountain race bike loaded with performance features that ensure victory, all while weighing next to nothing.

Key Benefits

▫ Designed For the W.

At just 900 grams, F-Si is the lightest mountain bike frame we've ever made. Better still, our engineers built in real compliance, real durability, and the handling and features that really win races.

▫ Next-Level Geometry

F-Si attacks the steepest climbs and nastiest descents of modern World Cup XC courses. Ai offset drivetrain and OutFront steering geometry deliver an uncanny mix of stability, agility and traction.

▫ The Best XC Fork...Period

Simply the most advanced, smoothest, most precise-handling ultralight XC fork ever made. Its one-of-a-kind design lets it float through the chop and steer through the choss like nothing else.

Category

Mountain | XC Race

Sizes

Women's:
XS (27.5), S, M (29)

Men's:
S, M, L, XL (29)

Wheel / Tire Size

27.5x.2.25" (XS)
29x.2.25" (S, M, L, XL)

Travel

100mm

F-Si Hi-MOD World Cup



C25100M

Frame	Hi-MOD BallisTec Carbon, SAVE, PF30-83, tapered head tube, Speed Release 12mm thru axle, Ai Offset
Fork	Lefty Ocho Carbon, 29", 100mm, Chamber Damper with cable lockout, OppO Spring System, tapered steerer, 55mm offset
Rims	ENVE M525 Carbon, 24h, tubeless ready
Hubs	(F) Lefty 60 (R) DT Swiss C36 12x148 w/ XD driver
Spokes	DT Swiss Aerolite (Ai Offset dish - rear)
Tires	(F) Schwalbe Racing Ray 27.5/29 x 2.25", Snake Skin, Addix Speedgrip Compound, tubeless ready (R) Schwalbe Racing Ralph 27.5/29 x 2.25", Snake Skin, Addix Speed Compound, tubeless ready
Pedals	Not Included
Crank	SRAM XX1 Eagle DUB, 34T, Ai offset
Bottom Bracket	SRAM DUB PF30 MTB83
Chain	SRAM XX1 Eagle, 12-speed
Rear Cogs	SRAM XG-1299, 10-50, 12-speed

Rear Derailleur	SRAM XX1 Eagle AXS
Shifters	SRAM Eagle AXS, 12-speed
Handlebar	ENVE M5, Carbon, 760mm, 31.8mm, 5mm rise, 9° sweep
Grips	Cannondale Locking Grips
Stem	Cannondale 1, 7075 Alloy, 1-1/8", 31.8, 7°
Headset	Integrated, 1-1/8 to 1.5", sealed angular contact bearings (Integrated steer stop size small only)
Brakes	SRAM Level Ultimate hydro disc, 160/160mm Centerline rotor
Brake Levers	SRAM Level Ultimate hydro disc
Saddle	Prologo Zero II, Tirox rails
Seatpost	ENVE Carbon, 27.2 x 400mm, 0mm offset
Connectivity	Wheel Sensor
Sizes	S, M, L, XL
Color 1	Replica (REP)
Extras	Speed Release rear axle

F-Si Carbon 2



C25200M

Frame	BallisTec Carbon, SAVE, PF30-83, tapered head tube, Speed Release 12mm thru axle, Ai Offset
Fork	Lefty Ocho Carbon, 27.5/29", 100mm, Chamber Damper with cable lockout, OppO Spring System, tapered steerer, 50/55mm offset
Rims	HollowGram 23, Superlight Hi-Impact Carbon, tubeless ready, 28h, 23mm inner width
Hubs	(F) Lefty 60 (R) Hollowgram w/ DT internals 12x148 w/ Micro Spline
Spokes	Formula Grand Forza
Tires	(F) Schwalbe Racing Ray 27.5/29 x 2.25", Snake Skin, Addix Speedgrip Compound, tubeless ready (R) Schwalbe Racing Ralph 27.5/29 x 2.25", Snake Skin, Addix Speed Compound, tubeless ready
Pedals	Not Included
Crank	HollowGram, BB30 w/X-Sync® SpideRing, 34T, Ai offset
Bottom Bracket	Cannondale Alloy PressFit30

Chain	Shimano XT, 12-speed
Rear Cogs	Shimano XT, 10-51, 12-speed
Rear Derailleur	Shimano XTR, Shadow Plus
Shifters	Shimano XT, 12-speed
Handlebar	Cannondale 1 Flat, Carbon, 31.8mm, 9° backsweep, 760mm
Grips	Cannondale Locking Grips
Stem	Cannondale 1, 7075 Alloy, 1-1/8", 31.8, 7°
Headset	Integrated, 1-1/8 to 1.5", sealed angular contact bearings (Integrated steer stop size small only)
Brakes	Shimano Deore XT Race disc, 160/160mm XT rotors
Brake Levers	Shimano Deore XT Race hydro disc
Saddle	Fabric Scoop Flat Race, titanium rails
Seatpost	Cannondale 2, 7075 Alloy, 31.6 x 400mm
Connectivity	Wheel Sensor
Sizes	S, M, L, XL
Color 1	Chameleon (CML)
Extras	Speed Release rear axle

F-Si Hi-MOD 1



C25150M

Frame	Hi-MOD BallisTec Carbon, SAVE, PF30-83, tapered head tube, Speed Release 12mm thru axle, Ai Offset
Fork	Lefty Ocho Carbon, 29", 100mm, Chamber Damper with cable lockout, OppO Spring System, tapered steerer, 55mm offset
Rims	HollowGram 23, Superlight Hi-Impact Carbon, tubeless ready, 28h, 23mm inner width
Hubs	(F) Lefty 60 (R) Hollowgram w/ DT internals 12x148 w/ Micro Spline
Spokes	DT Swiss Competition Race
Tires	(F) Schwalbe Racing Ray 27.5/29 x 2.25", Snake Skin, Addix Speedgrip Compound, tubeless ready (R) Schwalbe Racing Ralph 27.5/29 x 2.25", Snake Skin, Addix Speed Compound, tubeless ready
Pedals	Not Included
Crank	HollowGram, BB30 w/X-Sync® SpideRing, 34T, Ai offset
Bottom Bracket	Cannondale Alloy PressFit30
Chain	Shimano XTR, 12-speed

Rear Cogs	Shimano XT, 10-51, 12-speed
Rear Derailleur	Shimano XTR, Shadow Plus
Shifters	Shimano XTR, 12-speed
Handlebar	ENVE M5, Carbon, 760mm, 31.8mm, 5mm rise, 9° sweep
Grips	Cannondale Locking Grips
Stem	Cannondale 1, 7075 Alloy, 1-1/8", 31.8, 7°
Headset	Integrated, 1-1/8 to 1.5", sealed angular contact bearings (Integrated steer stop size small only)
Brakes	Shimano XTR Race, 160/160mm RT86 rotors
Brake Levers	Shimano XTR Race hydro disc
Saddle	Fabric Scoop Flat Race, titanium rails
Seatpost	ENVE Carbon, 27.2 x 400mm, 0mm offset
Connectivity	Wheel Sensor
Sizes	S, M, L, XL
Color 1	Matte Black (BLK)
Extras	Speed Release rear axle

F-Si Carbon 3



C25300M

Frame	BallisTec Carbon, SAVE, PF30-83, tapered head tube, Speed Release 12mm thru axle, Ai Offset
Fork	Lefty Ocho, 29", 100mm, Chamber Damper with cable lockout, OppO Spring System, tapered steerer, 55mm offset
Rims	Stan's NoTubes Crest MK3, 28h, tubeless ready
Hubs	(F) Stan's NoTubes Neo Lefty (R) Stan's NoTube's Neo 12x148 w/HG driver
Spokes	DT Swiss Competition, straight pull (Ai Offset dish - rear)
Tires	(F) Schwalbe Racing Ray Performance 27.5/29 x 2.25", Addix Compound, tubeless ready (R) Schwalbe Racing Ralph Performance 27.5/29 x 2.25" rear, Addix compound, tubeless ready
Pedals	Not Included
Crank	Truvativ Stylo 6K DUB, 34T, Ai offset
Bottom Bracket	SRAM DUB PF30 MTB83
Chain	SRAM GX Eagle, 12-speed
Rear Cogs	SRAM PG-1230, NX Eagle, 11-50, 12-speed

Rear Derailleur	SRAM GX Eagle
Shifters	SRAM GX Eagle, 12-speed
Handlebar	Cannondale 2 Flat, butted 2014 Alloy, 31.8mm, 3° rise, 8° sweep, 760mm
Grips	Cannondale Locking Grips
Stem	Cannondale 3, 6061 Alloy, 31.8, 7°
Headset	Integrated, 1-1/8 to 1.5", sealed angular contact bearings (Integrated steer stop size small only)
Brakes	SRAM Level T hydro disc, 160/160mm Centerline rotors
Brake Levers	SRAM Level T hydro disc
Saddle	Fabric Scoop Flat Elite, cro-mo rails
Seatpost	Cannondale 2, Carbon, 27.2 x 400mm, 0mm offset
Connectivity	Wheel Sensor
Sizes	S, M, L, XL
Color 1	Acid Red (ARD)
Color 2	Matte Black (BBQ)
Extras	Speed Release rear axle

F-Si Carbon 4



C25400M

Frame	BallisTec Carbon, SAVE, PF30-83, tapered head tube, Speed Release 12mm thru axle, Ai Offset	Shifters	SRAM NX Eagle, 12-speed
Fork	Lefty Ocho, 29", 100mm, Chamber Damper with cable lockout, OppO Spring System, tapered steerer, 55mm offset	Handlebar	Cannondale 3 Flat, 6061 double-buttressed Alloy, 31.8mm, 3° rise, 8° sweep, 760mm
Rims	WTB STX i21 TCS, 28h, tubeless ready	Grips	Cannondale Locking Grips
Hubs	(F) Lefty 60 (R) Formula 12x148 w/ HG driver	Stem	Cannondale 3, 6061 Alloy, 31.8, 7°
Spokes	DT Swiss Champion	Headset	Integrated, 1-1/8 to 1.5", sealed angular contact bearings (Integrated steer stop size small only)
Tires	(F) Schwalbe Racing Ray Performance 27.5/29 x 2.25", Addix Compound, tubeless ready (R) Schwalbe Racing Ralph Performance 27.5/29 x 2.25" rear, Addix compound, tubeless ready	Brakes	Shimano MT500 hydro disc, 160/160mm RT66 rotors
Pedals	Not Included	Brake Levers	Shimano MT500 hydro disc
Crank	Truvativ Stylo 6K DUB, 34T, Ai offset	Saddle	Fabric Scoop Flat Elite, cro-mo rails
Bottom Bracket	SRAM DUB PF30 MTB83	Seatpost	Cannondale 3, 7075 Alloy, 27.2 x 400mm
Chain	SRAM NX Eagle, 12-speed	Connectivity	Wheel Sensor
Rear Cogs	SRAM PG-1230, NX Eagle, 11-50, 12-speed	Sizes	S, M, L, XL
Rear Derailleur	SRAM NX Eagle	Color 1	Graphite (GRA)
		Color 2	Crush (CRU)
		Extras	Speed Release rear axle

F-Si Carbon Women's 2



C25200F

Frame	BallisTec Carbon, SAVE, PF30-83, tapered head tube, Speed Release 12mm thru axle, Ai Offset	Rear Derailleur	SRAM NX Eagle
Fork	Lefty Ocho, 27.5/29", 100mm, Chamber Damper with cable lockout, OppO Spring System, tapered steerer, 50/55mm offset	Shifters	SRAM NX Eagle, 12-speed
Rims	WTB STX i21 TCS, 28h, tubeless ready	Handlebar	Cannondale 3 Flat, 6061 double-buttressed Alloy, 31.8mm, 3° rise, 8° sweep, 760mm
Hubs	(F) Lefty 60 (R) Formula 12x148 w/ HG driver	Grips	Cannondale Low-Profile Locking Grips
Spokes	DT Swiss Champion	Stem	Cannondale 3, 6061 Alloy, 31.8, 7°
Tires	(F) Schwalbe Racing Ray Performance 27.5/29 x 2.25", Addix Compound, tubeless ready (R) Schwalbe Racing Ralph Performance 27.5/29 x 2.25" rear, Addix compound, tubeless ready	Headset	Integrated, 1-1/8 to 1.5", sealed angular contact bearings (Integrated steer stop size small and extra small only)
Pedals	Not Included	Brakes	Shimano MT500 hydro disc, 160/160mm RT66 rotors
Crank	Truvativ Stylo 6K DUB, 34T (XS, S) 32T (M), Ai offset	Brake Levers	Shimano MT500 hydro disc
Bottom Bracket	SRAM DUB PF30 MTB83	Saddle	Prologo Kappa Dea RS
Chain	SRAM NX Eagle, 12-speed	Seatpost	Cannondale 3, 7075 Alloy, 27.2 x 350mm
Rear Cogs	SRAM PG-1230, NX Eagle, 11-50, 12-speed	Sizes	(27.5) XS, (29) S, M
		Color 1	Black Pearl (BPL)
		Extras	Speed Release rear axle

F-Si Carbon 5

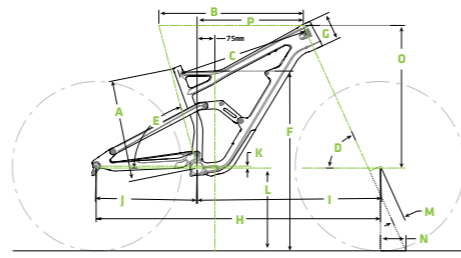


C25500M

Frame	BallisTec Carbon, SAVE, PF30-83, tapered head tube, Speed Release 12mm thru axle, Ai Offset	Rear Derailleur	SRAM NX Eagle
Fork	RockShox Reba RL, 100mm, Stealth Solo Air, 15x110, tapered steerer, 51 offset	Shifters	SRAM NX Eagle, 12-speed
Rims	WTB STX i21 TCS, 28h, tubeless ready	Handlebar	Cannondale 3 Flat, 6061 double-buttressed Alloy, 31.8mm, 3° rise, 8° sweep, 760mm
Hubs	(F) Formula 15x110 (R) Formula 12x148 w/ HG driver	Grips	Cannondale Locking Grips
Spokes	DT Swiss Champion	Stem	Cannondale 3, 6061 Alloy, 31.8, 7°
Tires	(F) Schwalbe Racing Ray Performance 27.5/29 x 2.25", Addix Compound, tubeless ready (R) Schwalbe Racing Ralph Performance 27.5/29 x 2.25" rear, Addix compound, tubeless ready	Headset	Integrated, 1-1/8 to 1.5", sealed angular contact bearings (Integrated steer stop size small only)
Pedals	Not Included	Brakes	Shimano MT500 hydro disc, 160/160mm RT56 rotors
Crank	Truvativ Stylo 6K DUB, 34T, Ai offset	Brake Levers	Shimano MT500 hydro disc
Bottom Bracket	SRAM DUB PF30 MTB83	Saddle	Fabric Scoop Shallow Sport, steel rails
Chain	SRAM SX Eagle, 12-speed	Seatpost	Cannondale 3, 6061 Alloy, 31.6 x 400mm
Rear Cogs	SRAM PG-1210, SX Eagle, 11-50, 12-speed	Sizes	S, M, L, XL
		Color 1	Black (BLK)
		Color 2	Nuclear Yellow (NYW)
		Extras	Speed Release rear axle

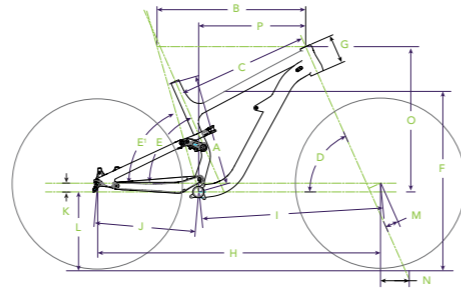
Jekyll 29

	SM	MD	LG	XL
A Seat Tube Length (cm)	40.0	43.0	46.0	52.0
B Top Tube Horizontal (cm)	58.6	61.1	63.6	66.4
C Top Tube Actual (cm)	56.8	58.9	61.3	64.1
D Head Tube Angle	65°	65°	65°	65°
E Seat Tube Angle Effective	75°	75°	75°	75°
F Standover (cm)	76.0	76.6	77.6	78.8
G Head Tube Length (cm)	10.2	11.5	12.7	14.0
H Wheelbase (cm)	117.9	120.7	123.4	126.4
I Front Center (cm)	73.8	76.5	79.2	82.3
J Chain Stay Length (cm)	44.2	44.2	44.2	44.2
K Bottom Bracket Drop (cm)	1.6	1.6	1.6	1.6
L Bottom Bracket Height (cm)	36.0	36.0	36.0	36.0
M Fork Rake (cm)	4.2	4.2	4.2	4.2
N Trail (cm)	13.0	13.0	13.0	13.0
O Stack (cm)	59.8	61.0	62.1	63.3
P Reach (cm)	41.9	44.0	46.2	48.7



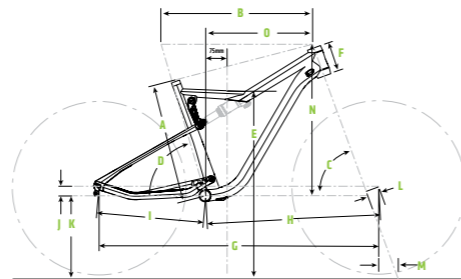
Habit

	XS (27.5")	S (29")	M (29")	L (29")	XL (29")
A Seat Tube Length (cm)	38	40	44	48	52
B Top Tube Horizontal (cm)	53.8	57.3	60.6	63.9	67.1
C Top Tube Actual (cm)	47.6	51.0	54.3	57.9	61.7
D Head Tube Angle	66.0°	66.0°	66.0°	66.0°	66.0°
E Seat Tube Angle	66.3°	66.3°	66.3°	66.3°	66.3°
E' Seat Tube Angle Effective	74.5°	74.5°	74.5°	74.5°	74.5°
F Standover (cm)	70	72	75	77	78
G Head Tube Length (cm)	9.5	10.5	11.5	12.5	13.5
H Wheelbase (cm)	110.3	114.2	117.6	121	124.4
I Front Center (cm)	67.0	71.0	74.3	77.8	81.1
J Chain Stay Length (cm)	43.5	43.5	43.5	43.5	43.5
K Bottom Bracket Drop (cm)	2.8	3.8	3.8	3.8	3.8
L Bottom Bracket Height (cm)	33.1	33.9	33.9	33.9	33.9
M Fork Rake (cm)	4.4	5.1	5.1	5.1	5.1
N Trail (cm)	11.2	11.2	11.2	11.2	11.2
O Stack (cm)	60	60.7	61.6	62.5	63.4
P Reach (cm)	36.6	40.0	43.0	46.0	49.0



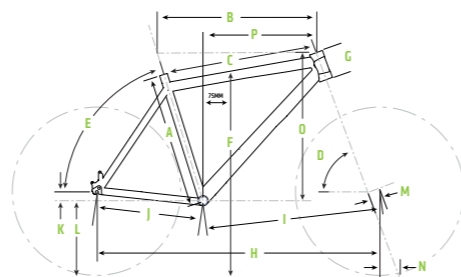
Scalpel SE

	SM (27.5")	MD (29")	LG (29")	XL (29")
A Seat Tube Length (cm)	40	44	48	52
B Top Tube Horizontal (cm)	57.4	60.4	62.7	65.3
C Head Tube Angle	68.5°	68.5°	68.5°	68.5°
D Seat Tube Angle	72°	72°	72°	72°
E Standover (cm)	74.1	77.9	78.5	79.1
F Head Tube Length (cm)	9.7	11	12.2	13.4
G Wheelbase (cm)	108.2	111.8	114.2	116.8
H Front Center (cm)	65.6	69.0	70.7	73.4
I Chain Stay Length (cm)	42.6	43.6	43.6	43.6
J Bottom Bracket Drop (cm)	1	2.7	2.7	2.7
K Bottom Bracket Height (cm)	34.3	34.5	34.5	34.5
L Fork Rake (cm)	4.4	5.1	5.1	5.1
M Trail (cm)	9.1	9.9	9.9	9.9
N Stack (cm)	56.0	60.6	61.8	62.9
O Reach (cm)	39.4	40.7	42.7	44.9



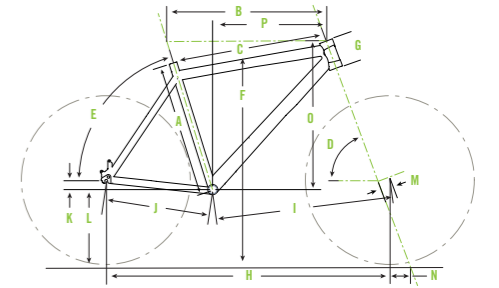
Cujo / Scarlet

	XS	S	M	L	XL	XXL
A Seat Tube Length (cm)	35.5	38.5	43.5	48.5	53.5	58.5
B Top Tube Horizontal (cm)	54.7	57.1	59.3	61.7	63.7	66.1
C Top Tube Actual (cm)	N/A	*	*	*	*	*
D Head Tube Angle	68.5°	*	*	*	*	*
E Seat Tube Angle Effective	73.3°	*	*	*	*	*
F Standover (cm)	73.0	74.6	78.5	81.6	85.2	88.2
G Head Tube Length (cm)	9.5	*	11.5	*	13.0	*
H Wheelbase (cm)	107.4	109.8	112.2	114.6	116.7	119.1
I Front Center (cm)	63.9	66.3	68.7	71.1	73.2	75.6
J Chain Stay Length (cm)	44.2	*	*	*	*	*
K Bottom Bracket Drop (cm)	6.2	*	*	*	*	*
L Bottom Bracket Height (cm)	30.8	*	*	*	*	*
M Fork Rake (cm)	5.1	*	*	*	*	*
N Trail (cm)	9.1	*	*	*	*	*
O Stack (cm)	62.7	*	64.5	*	65.9	*
P Reach (cm)	35.9	38.3	39.9	42.3	43.9	46.3



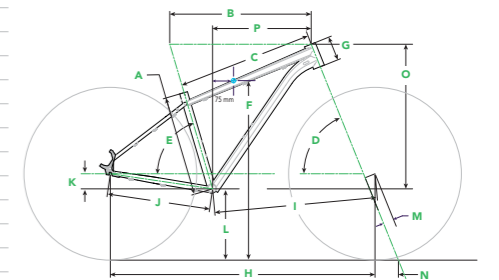
Trail - Models 1-4

	XS (27.5")	S (27.5")	M (29")	L (29")	XL (29")	XXL (29")
A Seat Tube Length (cm)	34.5	40.0	44.0	48.0	52.0	56.0
B Top Tube Horizontal (cm)	54.5	58.5	61.0	63.5	66.0	68.5
C Top Tube Actual (cm)	52.3	56.1	58.7	60.9	63.4	66.1
D Head Tube Angle	68.0°	*	68.5°	*	*	*
E Seat Tube Angle Effective	73.5°	*	73.5°	*	*	*
F Standover (cm)	71.0	74.6	79.5	82.0	85.0	88.0
G Head Tube Length (cm)	9.5	10.5	11.5	12.5	13.5	14.5
H Wheelbase (cm)	106.7	110.8	114.0	116.6	119.2	121.8
I Front Center (cm)	63.4	67.5	70.3	72.9	75.4	78.1
J Chain Stay Length (cm)	44.0	*	44.5	*	*	*
K Bottom Bracket Drop (cm)	6.0	*	6.5	*	*	*
L Bottom Bracket Height (cm)	30.4	*	30.8	*	*	*
M Fork Rake (cm)	4.2	*	5.1	*	*	*
N Trail (cm)	10.2	*	9.2	*	*	*
O Stack (cm)	60.7	61.6	62.4	63.3	64.3	65.2
P Reach (cm)	36.5	40.2	42.4	42.5	44.7	47.0



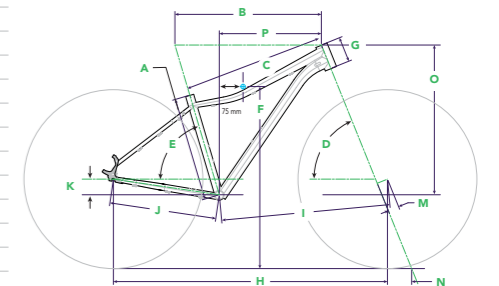
Trail - Models 5-8

	XS (27.5")	SM (27.5")	MD (29")	LG (29")	XL (29")
A Seat Tube Length (cm)	33.0	38.1	43.2	47.0	52.0
B Top Tube Horizontal (cm)	53.5	57.7	60.9	63.4	65.9
C Top Tube Actual (cm)	N/A	*	*	*	*
D Head Tube Angle	68.0°	*	*	*	*
E Seat Tube Angle	73.5°	*	*	*	*
F Standover (cm)	67.3	71.0	76.8	79.5	83.9
G Head Tube Length (cm)	9.5	*	10.5	11.5	12.5
H Wheelbase (cm)	105.4	109.8	114.0	116.6	119.2
I Front Center (cm)	62.1	66.5	70.2	72.8	75.4/29.7
J Chain Stay Length (cm)	44.0	*	44.5	*	*
K Bottom Bracket Drop (cm)	6.0	*	6.5	*	*
L Bottom Bracket Height (cm)	29.3	*	30.7	*	*
M Fork Rake (cm)	4.2	*	4.6	*	*
N Trail (cm)	9.7	*	10.1	*	*
O Stack (cm)	57.3	59.1	62.3	63.2	64.1
P Reach (cm)	36.5	40.2	42.5	44.7	46.95



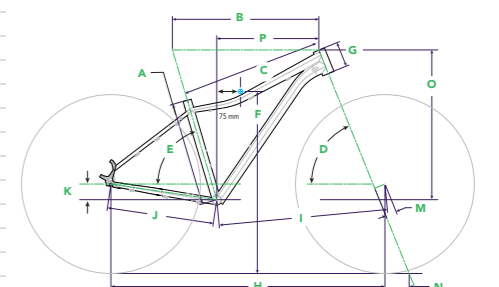
Tango / Trail Women's - Models 1 & 2

	XS (27.5")	SM (27.5")	MD (27.5")
A Seat Tube Length (cm)	34.5	38.5	42.0
B Top Tube Horizontal (cm)	54.5	57.0	59.5
C Top Tube Actual (cm)	52.26	54.6	57.0
D Head Tube Angle	68.0°	*	*
E Seat Tube Angle Effective	73.5°	*	*
F Standover (cm)	65.4	68.1	70.0
G Head Tube Length (cm)	9.5/3.7	10.0	10.5
H Wheelbase (cm)	107.0	109.5	112.1
I Front Center (cm)	63.5	66.1	68.6
J Chain Stay Length (cm)	44.0	*	*
K Bottom Bracket Drop (cm)	5.5	*	*
L Bottom Bracket Height (cm)	30.9	*	*
M Fork Rake (cm)	4.2	*	*
N Trail (cm)	10.2	*	*
O Stack (cm)	60.2	60.7	61.1/24.1
P Reach (cm)	36.7	39.0	41.4/16.3



Tango / Trail Women's - Models 3 - 6

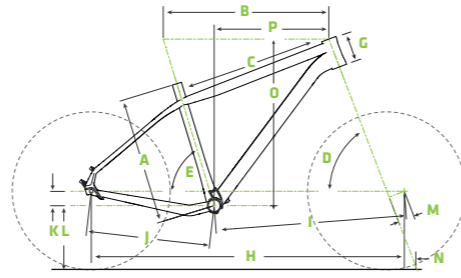
	XS (27.5")	S (27.5")	M (29")	L (29")
A Seat Tube Length (cm)	33.0	38.1	43.2	47.0
B Top Tube Horizontal (cm)	53.5	57.7	60.9	63.4
C Top Tube Actual (cm)	N/A	*	*	*
D Head Tube Angle	68.0°	*	*	*
E Seat Tube Angle Effective	73.5°	*	*	*
F Standover (cm)	67.3	71.0	76.8	79.5
G Head Tube Length (cm)	9.5	*	10.5	11.5
H Wheelbase (cm)	105.4	109.8	114.0	116.6
I Front Center (cm)	62.1	66.5	70.2/72.8	72.8
J Chain Stay Length (cm)	44.0	*	44.5	*
K Bottom Bracket Drop (cm)	6.0	*	6.5	*
L Bottom Bracket Height (cm)	29.3	*	30.7	*
M Fork Rake (cm)	4.2	*	4.6	*
N Trail (cm)	9.7	*	10.1	*
O Stack (cm)	57.3	59.1	62.3	63.2
P Reach (cm)	36.5	40.2	42.5	44.7



* Indicates same as previous

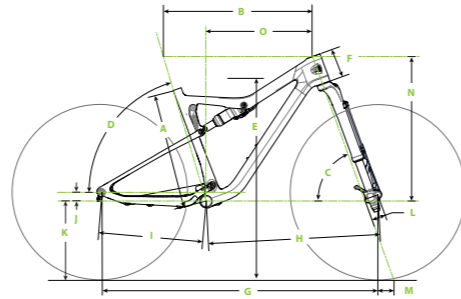
Fat CAAD RIGID

	XS	SM	MD	LG	XL
A Seat Tube Length (cm)	37.0	39.0	44.0	49.0	54.0
B Top Tube Horizontal (cm)	56.2	58.7	61.0	63.4	64.7
C Top Tube Actual (cm)	55.5	57.1	58.7	60.8	62.2
D Head Tube Angle	69°	69°	69°	69°	69°
E Seat Tube Angle	73°	73°	73°	73°	73°
F Standover (cm)	76.0	76.4	80.0	83.8	87.4
G Head Tube Length (cm)	9.7	9.7	11.0	12.2	13.4
H Wheelbase (cm)	109.5	112.0	114.4	116.9	118.3
I Front Center (cm)	64.5	67.0	69.5	71.9	73.3
J Chain Stay Length (cm)	45.6	45.6	45.6	45.6	45.6
K Bottom Bracket Drop (cm)	5.8	5.8	5.8	5.8	5.8
L Bottom Bracket Height (cm)	32.4	32.4	32.4	32.4	32.4
M Fork Rake (cm)	5.5	5.5	5.5	5.5	5.5
N Trail (cm)	8.7	8.7	8.7	8.7	8.7
O Stack (cm)	58.2	58.2	59.4	60.6	61.7
P Reach (cm)	38.4	40.9	42.9	44.9	45.9



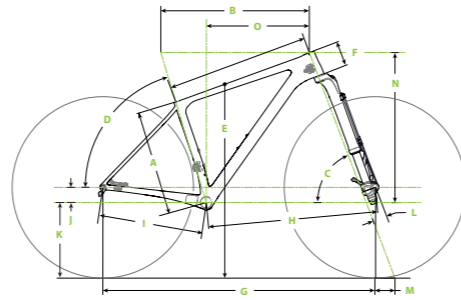
Scalpel-Si

	XS (27.5")	SM (27.5")	MD (29")	LG (29")	XL (29")
A Seat Tube Length (cm)	38	40	44	48	52
B Top Tube Horizontal (cm)	54.8	57	59.9	62.4	64.8
C Head Tube Angle	69.5°	69.5°	69.5°	69.5°	69.5°
D Seat Tube Angle	73.5°	73.5°	73.5°	73.5°	73.5°
E Standover (cm)	71.5	71.6	75.4	76	76.6
F Head Tube Length (cm)	9.7	9.7	11	12.2	13.4
G Wheelbase (cm)	105.7	107.9	111.8	114.4	116.9
H Front Center (cm)	63.1	65.3	68.5	71.1	73.5
I Chain Stay Length (cm)	42.5	42.5	43.5	*	*
J Bottom Bracket Drop (cm)	2	2	3.8	*	*
K Bottom Bracket Height (cm)	33.3	33.3	33.4	*	*
L Fork Rake (cm)	5	5	5.5	*	*
M Trail (cm)	7.5	7.5	7.7	*	*
N Stack (cm)	55	55	59.2	60.4	61.5
O Reach (cm)	38.5	40.7	42.4	44.5	46.6



F-Si

	XS (27.5")	SM (29")	MD (29")	LG (29")	XL (29")
A Seat Tube Length (cm)	33.0	33.0	43.0	48.0	53.0
B Top Tube Horizontal (cm)	55.3	58.3	60.6	62.9	65.3
C Head Tube Angle	69.0°	69.0°	69.0°	69.0°	69.0°
D Seat Tube Angle Effective	73.1°	73.1°	73.1°	73.1°	73.1°
E Standover (cm)	71.5	75.5	79.3	82.8	86.3
F Head Tube Length (cm)	9.0	9.0	10.1	11.3	12.6
G Wheelbase (cm)	105.5	108.6	111.0	113.4	115.9
H Front Center (cm)	63.6	66.7	69.1	71.4	73.9
I Chain Stay Length (cm)	42.3	42.7	42.7	42.7	42.7
J Bottom Bracket Drop (cm)	4.5	6.2	6.2	6.2	6.2
K Bottom Bracket Height (cm)	30.8	30.8	30.8	30.8	30.8
L Fork Rake (cm)	5.0	5.5	5.5	5.5	5.5
M Trail (cm)	8.2	8.2	8.2	8.2	8.2
N Stack (cm)	56.9	60.2	61.2	62.3	63.5
O Reach (cm)	38.0	40.0	42.0	44.0	46.0



* Indicates same as previous



Urban

Urban/Fitness Line-Up

Urban



BAD BOY



TESORO

Fitness



TREADWELL



SYNAPSE FLAT BAR



CAAD OPTIMO
FLAT BAR



QUICK



QUICK CX / ALTHEA



ADVENTURE

Bad Boy

Urban Legend



The ultimate urban ride. Elegantly aggressive style. Forward-thinking features. Traffic-slaying performance.

Key Benefits

- **Get Noticed**
Cleanly integrated LED lights in the Lefty LightPipe fork and seatpost ensure that you'll always stand out.
- **Street Fighter**
With its stiff Lefty LightPipe fork, grippy tires, and agile point-and-shoot handling, Bad Boy is built to take the city by storm.
- **Smooth Speed**
Big-volume tires on 650b wheels are fast rolling and nimble handling, with crazy cornering grip and pothole-erasing comfort.

Category

Urban

Sizes

SM, MD, LG, XL

Wheel / Tire Size

650 x40

Bad Boy

1



C33100M

Frame	SmartForm C1 Alloy OPI, integrated Urban Armor bumper, BSA threaded BB, 1-1/8" headtube, sliding dropout	Rear Cogs	Gates rear sprocket, 22T
Fork	Lefty LightPipe rigid, integrated SuperNova LED lightstrip, USB rechargeable battery, 1-1/8" steerer	Shifters	Shimano Alfine Rapidfire, 8-speed
Rims	Cannondale, double wall w/eyelets, 32h	Handlebar	Cannondale Riser, 6061 Alloy, 18mm rise, 8° back, 4° up, 720mm
Hubs	(F) Lefty 50 front / (R) Shimano Alfine 8-speed internal rear	Grips	Fabric Silicone Cell
Spokes	Stainless Steel, 14g	Stem	Bad Boy Si, integrated sandwich stem, 65mm
Tires	WTB Byway, 650b x 40c	Headset	FSA Cartridge Bearing
Pedals	Cannondale Urban Pedal	Brakes	Shimano MT400 hydro disc, 160/160mm RT26 rotors
Crank	Gates S150, Gates Belt Drive CDX sprocket 46T	Brake Levers	Shimano MT400 hydro disc
Bottom Bracket	Thun Zumba	Saddle	Fabric Scoop Radius Elite, cro-mo rails
Chain	Gates Carbon Drive, CDX Centertrack, 113T	Seatpost	LightSkin w/ integrated rear LED light, 31.6, USB Rechargeable
		Sizes	S, M, L, XL
		Color 1	BBQ (BBQ)

Bad Boy

3



C33300M

Frame	SmartForm C2 Alloy, integrated Urban Armor bumper, BSA threaded BB, 1-1/8" headtube	Rear Derailleur	Shimano Altus
Fork	Lefty Rigid, 1-1/8" steerer	Shifters	Shimano Easy Fire EF505, 2x8
Rims	Cannondale, double wall, 32h	Handlebar	6061 double-butt, 25mm rise, 680mm
Hubs	(F) Lefty 50 front / (R) Formula DC-1422 QR	Grips	Cannondale Comfort
Spokes	Stainless Steel, 14g	Stem	Bad Boy, 6061 alloy, 31.8, 60mm
Tires	WTB Byway, 650b x 40c	Headset	Tange Semi-Integrated
Pedals	Cannondale Urban Pedal	Brakes	Shimano MT200 hydro disc, 160/160mm RT26 rotors
Crank	Shimano, 46/30	Brake Levers	Shimano MT200 hydro disc
Bottom Bracket	Sealed Cartridge	Saddle	Cannondale Urban
Chain	KMC X8, 8-speed	Seatpost	Alloy, 31.6 x 350mm
Rear Cogs	Shimano HG41, 11-31, 8-speed	Sizes	S, M, L, XL
Front Derailleur	Shimano Tourney, 31.8 clamp	Color 1	BBQ (BBQ)

Bad Boy

2



C33200M

Frame	SmartForm C2 Alloy, integrated Urban Armor bumper, BSA threaded BB, 1-1/8" headtube	Front Derailleur	Shimano Acera, 31.8 clamp
Fork	Lefty LightPipe rigid, integrated SuperNova LED lightstrip, USB rechargeable battery, 1-1/8" steerer	Rear Derailleur	Shimano Altus
Rims	Cannondale, double wall, 32h	Shifters	Shimano Altus, 2x9
Hubs	(F) Lefty 50 front / (R) Sealed Alloy Disc, QR	Handlebar	Cannondale Riser, 6061 Alloy, 18mm rise, 8° back, 4° up, 680mm
Spokes	Stainless Steel, 14g	Grips	Cannondale Comfort
Tires	WTB Byway, 650b x 40c	Stem	6061 alloy, 31.8, 60mm
Pedals	Cannondale Urban Pedal	Headset	Tange Semi-Integrated
Crank	Shimano MT210, 46/30	Brakes	Shimano MT200 hydro disc, 160/160mm RT26 rotors
Bottom Bracket	Shimano MT210	Brake Levers	Shimano MT200 hydro disc
Chain	KMC Z9, 9-speed	Saddle	Fabric Scoop Radius Sport, steel rails
Rear Cogs	Sunrace, 11-32, 9-speed	Seatpost	LightSkin w/ integrated rear LED light, 31.6, USB Rechargeable
		Sizes	S, M, L, XL
		Color 1	BBQ (BBQ)

Ready to Go



Life by bike. The Tesoro's ready with quality, thought-out integrated features—rack, lock, dynamo lighting, fenders—nothing's overlooked.

Key Benefits

- **Comfort Comes First**
Custom swept-back handlebars combine with an easily adjustable stem to deliver that “just right” fit for a wide range of cyclists.
- **A Smooth, Confident Ride**
SAVE optimized chain and seat stays in the rear triangle and big 700×40c tires keep the ride smooth and comfortable.
- **Superior Construction**
The oversized tube shapes, double-pass smooth welds, and flex-free integrated rear rack are a testament to Cannondale's decades of aluminum frame crafting expertise.

Category

Urban | Urban

Sizes

S, M, L, XL
S, M, L (Mixte)

Wheel / Tire Size

700 x40c

Travel

50mm (F)

Tesoro 1



C35109M

Frame	Tesoro, SmartForm C2 Alloy, Headshok head tube, integrated rear rack
Fork	HeadShok Fatty DL50, 50mm, Isolated Damper Technology with lockout, OPI
Rims	DC3.0, double wall w/eyelet, 32-hole
Hubs	Shimano DH-3D37-QR Dynamo front, Deore rear
Spokes	DT Swiss Champion
Tires	Schwalbe Marathon Supreme, 700 × 40c, RaceGuard
Pedals	Cannondale Urban Pedal
Crank	Shimano Deore 48/36/26T
Bottom Bracket	Shimano
Chain	KMC X10, 10-speed
Rear Cogs	Shimano HG500, 11-28, 10-speed
Front Derailleur	Shimano Deore

Rear Derailleur	Shimano Deore XT Shadow Plus, SGS
Shifters	Shimano Deore, 3×10 speed
Handlebar	Cannondale E-Series Alloy, backsweep
Grips	Cannondale Ergo Fitness Dual Density, Lock-on
Stem	Cannondale Adjustable
Headset	Integrated, 1-1/8 to 1.5", sealed angular contact bearings
Brakes	Shimano MT400 hydro disc, 160/160mm RT10 rotors
Brake Levers	Shimano MT400 hydro disc
Saddle	Selle Royal Ariel
Seatpost	Cannondale C4, Alloy, 31.6×300mm
Sizes	48, 52, 56, 60
Color 1	Black Pearl, Charcoal Grey and Graphite, reflective decal (BPL)
Extras	Front light – Busch & Muller Lumotec IQ-XS, Rear light – Hermanns H-Trace Fenders: Curana Chain guard: Curana Bell, Si Kickstand Plugs for QL3 Ortlieb Bags Lock: Abus 5850 ring lock

Tesoro 2



C35209M

Frame	Tesoro, SmartForm C2 Alloy, 1.5" head tube, integrated rear rack
Fork	Fatty OPI Rigid 1.5"
Rims	DC3.0, double wall w/eyelet, 32-hole
Hubs	Shimano Dynamo hub front, Shimano Deore rear
Spokes	DT Swiss Champion
Tires	Schwalbe Marathon Supreme, 700 × 40c, RaceGuard
Pedals	Cannondale Urban Platform
Crank	Shimano Deore 48/36/26T
Bottom Bracket	Shimano
Chain	KMC X10, 10-speed
Rear Cogs	Shimano HG500, 12-28, 10-speed
Front Derailleur	Shimano Deore
Rear Derailleur	SLX Shadow Plus SGS

Shifters	Shimano Deore, 3×10 speed
Handlebar	Cannondale Urban Trekking, 31.8mm
Grips	Cannondale Ergo Fitness Dual Density, Lock-on
Stem	Cannondale Adjustable OPI, 1.5"
Headset	Tange Si 1.5"
Brakes	Shimano MT200 hydro disc, 160/160mm RT10 rotors
Brake Levers	Shimano MT200 hydro disc
Saddle	Selle Royal Ariel
Seatpost	Cannondale C4, Alloy, 31.6×350mm
Sizes	48, 52, 56, 60
Color 1	Charcoal Gray, with Sage Gray- reflective decal (GRY)
Extras	Busch & Muller Lumotec Avy 40lux, Rear light – Hermanns H-Trace Fenders: Curana Chain guard: Curana Bell Si Kickstand Plugs for QL3 Ortlieb Bags Lock: Abus 5850 ring lock

Tesoro Mixte 1



C35109U

Frame	Tesoro Mixte, SmartForm C2 Alloy, Headshok head tube, integrated rear rack
Fork	HeadShok Fatty DL50, 50mm, Isolated Damper Technology with lockout, OPI
Rims	DC3.0, double wall w/eyelet, 32-hole
Hubs	Shimano DH-3D37-QR Dynamo front, Deore rear
Spokes	DT Swiss Champion
Tires	Schwalbe Marathon Supreme, 700 × 40c, RaceGuard
Pedals	Cannondale Urban Pedal
Crank	Shimano Deore 48/36/26T
Bottom Bracket	Shimano
Chain	KMC X10, 10-speed
Rear Cogs	Shimano HG500, 11-28, 10-speed
Front Derailleur	Shimano Deore

Rear Derailleur	Shimano Deore XT Shadow Plus, SGS
Shifters	Shimano Deore, 3×10 speed
Handlebar	Cannondale E-Series Alloy, backsweep
Grips	Cannondale Ergo Fitness Dual Density, Lock-on
Stem	Cannondale Adjustable
Headset	Integrated, 1-1/8 to 1.5", sealed angular contact bearings
Brakes	Shimano MT400 hydro disc, 160/160mm RT10 rotors
Brake Levers	Shimano MT400 hydro disc
Saddle	Selle Royal Ariel
Seatpost	Cannondale C4, Alloy, 31.6×300mm
Sizes	48, 53, 55
Color 1	Black Pearl, Charcoal Grey and Graphite, reflective decal (BPL)
Extras	Front light – Busch & Muller Lumotec IQ-XS, Rear light – Hermanns H-Trace Fenders: Curana Chain guard: Curana Bell, Si Kickstand Plugs for QL3 Ortlieb Bags Lock: Abus 5850 ring lock

Tesoro Mixte 2



C35209U

Frame	Tesoro Mixte, SmartForm C2 Alloy, 1.5" head tube, integrated rear rack
Fork	Fatty OPI Rigid 1.5"
Rims	DC3.0, double wall w/eyelet, 32-hole
Hubs	Shimano Dynamo hub front, Shimano Deore rear
Spokes	DT Swiss Champion
Tires	Schwalbe Marathon Supreme, 700 × 40c, RaceGuard
Pedals	Cannondale Urban Platform
Crank	Shimano Deore 48/36/26T
Bottom Bracket	Shimano
Chain	KMC X10, 10-speed
Rear Cogs	Shimano HG500, 12-28, 10-speed
Front Derailleur	Shimano Deore
Rear Derailleur	SLX Shadow Plus SGS

Shifters	Shimano Deore, 3×10 speed
Handlebar	Cannondale Urban Trekking, 31.8mm
Grips	Cannondale Ergo Fitness Dual Density, Lock-on
Stem	Cannondale Adjustable OPI, 1.5"
Headset	Tange Si 1.5"
Brakes	Shimano MT200 hydro disc, 160/160mm RT10 rotors
Brake Levers	Shimano MT200 hydro disc
Saddle	Selle Royal Ariel
Seatpost	Cannondale C4, Alloy, 31.6×350mm
Sizes	48, 53, 55
Color 1	Meteor, with Graphite, reflective decal (MTG)
Extras	Busch & Muller Lumotec Avy 40lux, Rear light – Hermanns H-Trace Fenders: Curana Chain guard: Curana Bell Si Kickstand Plugs for QL3 Ortlieb Bags Lock: Abus 5850 ring lock



Fitness



Nothing beats a bike ride.

The all-new Treadwell is designed to bring a bit of fun and style to the daily runaround. It's a light, simple, responsive bike for rolling around, meeting up with friends, and getting from here to there with that feeling of freedom that only two wheels can give.

Key Benefits

- **More Fun Days**
It's comfy. It's playful. It's easy to get on and off. This is a capable, well-made ride that nods to funky bikes of the past, with handlebars and tires inspired by dirt-track racers.
- **Connected**
An integrated wheel sensor helps track your activity (like speed, distance and calories burned), registers your bike, reminds you of needed service and more, all through the free Cannondale app.
- **Nice and Light**
Practical doesn't have to mean vanilla. Not with this bike. Light and responsive, it bounds through the city and blasts through the boroughs with style.

Category

Fitness

Sizes

Standard - S, M, L
Remixte - S, L

Wheel / Tire Size

650 x47c

Treadwell EQ



C37150M

Frame	All-New, SmartForm C3 Alloy, Ride-Easy low-standover geometry, Straightshot hidden cable routing, Urban Armor frame bumpers, flat mount disc, rack/fender mounts	Shifters	Shimano Altus, 9-speed
Fork	All-New, SmartForm C3 Alloy blades, 1-1/8" steerer, OutFront offset, flat mount disc, mid-blade mounts	Handlebar	Cannondale Cruise Control riser, 6061 alloy, 31.8mm clamp, 15 degree backsweep, 740mm width
Rims	Cannondale, double wall, 32h	Grips	Cannondale Comfort
Hubs	(F) Sealed Alloy Disc, 12x100 / (R) Sealed Alloy Disc, QR	Stem	Cannondale 3 with Intellimount, alloy, 31.8mm clamp
Spokes	Stainless Steel, 14g	Headset	Tange Semi-Integrated
Tires	Maxxis DTR-1, 650b x 47c	Brakes	Tekro HD-R280 hydraulic disc, 160/140mm rotors
Pedals	Cannondale Comfort	Brake Levers	Tekro hydraulic disc
Crank	Prowheel, 38T	Saddle	Cannondale Treadwell, 170mm, steel rails
Bottom Bracket	Cartridge Sealed	Seatpost	Alloy, 31.6 x 350mm
Chain	KMC X9, 9-speed	Connectivity	Wheel Sensor
Rear Cogs	Sunrace, 11-36, 9-speed	Sizes	S, M, L
Rear Derailleur	Shimano Altus	Color 1	Agave (AGV)
		Extras	Alloy fenders, front rack

Treadwell 2



C37200M



Frame	All-New, SmartForm C3 Alloy, Ride-Easy low-standover geometry, Straightshot hidden cable routing, Urban Armor frame bumpers, flat mount disc, rack/fender mounts	Shifters	microSHIFT Advent, 9-speed
Fork	All-New, SmartForm C3 Alloy blades, 1-1/8" steerer, OutFront offset, flat mount disc, mid-blade mounts	Handlebar	Cannondale Cruise Control riser, 6061 alloy, 31.8mm clamp, 15 degree backsweep, 740mm width
Rims	Cannondale, double wall, 32h	Grips	Cannondale Comfort
Hubs	(F) Sealed Alloy Disc / (R) Sealed Alloy Disc, Urban 5mm hex skewers	Stem	Cannondale 3 with Intellimount, alloy, 31.8mm clamp
Spokes	Stainless Steel, 14g	Headset	Tange Semi-Integrated
Tires	Maxxis DTR-1, 650b x 47c	Brakes	Tekro HD-R280 hydraulic disc, 160/140mm rotors
Pedals	Cannondale Comfort	Brake Levers	Tekro hydraulic disc
Crank	Prowheel, 38T	Saddle	Cannondale Treadwell, 170mm, steel rails
Bottom Bracket	Cartridge Sealed	Seatpost	Alloy, 31.6 x 350mm
Chain	KMC X9, 9-speed	Connectivity	Wheel Sensor
Rear Cogs	microSHIFT, 11-42, 9-speed	Sizes	S, M, L
Rear Derailleur	microSHIFT Advent	Color 1	Crush (CRU)
		Color 2	Midnight (MDN)
		Color 3	Cosmic Salmon (WOW)

Treadwell EQ Remixte



C37150U

Frame	All-New, Step-thru, SmartForm C3 Alloy, step-thru Ride-Easy geometry, Straightshot hidden cable routing, Urban Armor frame bumpers, flat mount disc, rack/fender mounts	Rear Derailleur	Shimano Altus
Fork	All-New, SmartForm C3 Alloy blades, 1-1/8" steerer, OutFront offset, flat mount disc, mid-blade mounts	Shifters	Shimano Altus, 9-speed
Rims	Cannondale, double wall, 32h	Handlebar	Cannondale Cruise Control riser, 6061 alloy, 31.8mm clamp, 15 degree backsweep, 740mm width
Hubs	(F) Sealed Alloy Disc, 12x100 / (R) Sealed Alloy Disc, Urban 5mm hex skewers	Grips	Cannondale Comfort
Spokes	Stainless Steel, 14g	Stem	Cannondale 3 with Intellimount, alloy, 31.8mm clamp
Tires	Maxxis DTR-1, 650b x 47c	Headset	Tange Semi-Integrated
Pedals	Cannondale Comfort	Brakes	Tekro HD-R280 hydraulic disc, 160/140mm rotors
Crank	Prowheel, 38T	Brake Levers	Tekro hydraulic disc
Bottom Bracket	Cartridge Sealed	Saddle	Cannondale Treadwell, 170mm, steel rails
Chain	KMC X9, 9-speed	Seatpost	Alloy, 31.6 x 350mm
Rear Cogs	Sunrace, 11-36, 9-speed	Connectivity	Wheel Sensor
		Sizes	S, L
		Color 1	Agave (AGV)
		Extras	Alloy fenders, front rack

Treadwell 2 Remixte



C37200U



Frame	All-New, Step-thru, SmartForm C3 Alloy, step-thru Ride-Easy geometry, Straightshot hidden cable routing, Urban Armor frame bumpers, flat mount disc, rack/fender mounts	Handlebar	Cannondale Cruise Control riser, 6061 alloy, 31.8mm clamp, 15 degree backsweep, 740mm width
Fork	All-New, SmartForm C3 Alloy blades, 1-1/8" steerer, OutFront offset, flat mount disc, mid-blade mounts	Grips	Cannondale Comfort
Rims	Cannondale, double wall, 32h	Stem	Cannondale 3 with Intellimount, alloy, 31.8mm clamp
Hubs	(F) Sealed Alloy Disc / (R) Sealed Alloy Disc, QR	Headset	Tange Semi-Integrated
Spokes	Stainless Steel, 14g	Brakes	Tekro HD-R280 hydraulic disc, 160/140mm rotors
Tires	Maxxis DTR-1, 650b x 47c	Brake Levers	Tekro hydraulic disc
Pedals	Cannondale Comfort	Saddle	Cannondale Treadwell, 170mm, steel rails
Crank	Prowheel, 38T	Seatpost	Alloy, 31.6 x 350mm
Bottom Bracket	Cartridge Sealed	Connectivity	Wheel Sensor
Chain	KMC X9, 9-speed	Sizes	S, L
Rear Cogs	microSHIFT, 11-42, 9-speed	Color 1	Midnight (MDN)
Rear Derailleur	microSHIFT Advent	Color 2	Crush (CRU)
Shifters	microSHIFT Advent, 9-speed	Color 3	Cosmic Salmon (WOW)

Treadwell 3



C37300M

Frame	All-New, SmartForm C3 Alloy, Ride-Easy low-standover geometry, Straightshot hidden cable routing, Urban Armor frame bumpers, flat mount disc, rack/fender mounts	Handlebar	Cannondale Cruise Control riser, 6061 alloy, 31.8mm clamp, 15 degree backsweep, 740mm width
Fork	All-New, Steel blades, 1-1/8" steerer, OutFront offset, flat mount disc, mid-blade mounts	Grips	Cannondale Comfort
Rims	Cannondale, double wall, 32h	Stem	Cannondale 3 with Intellimount, alloy, 31.8mm clamp
Hubs	(F) Sealed Alloy Disc, QR / (R) Sealed Alloy Disc, QR	Headset	Tange Semi-Integrated
Spokes	Stainless Steel, 14g	Brakes	Promax mechanical disc, 160/160mm rotors
Tires	Maxxis DTR-1, 650b x 47c	Brake Levers	Cannondale Forged alloy
Pedals	Cannondale Comfort	Saddle	Cannondale Treadwell, 170mm, steel rails
Crank	Prowheel, 38T	Seatpost	Alloy, 31.6 x 350mm
Bottom Bracket	Cartridge Sealed	Connectivity	Wheel Sensor
Chain	KMC Z51, 7-speed	Sizes	S, M, L
Rear Cogs	Sunrace, 11-34, 7-speed	Color 1	Quicksand (QSD)
Rear Derailleur	Shimano Tourney	Color 2	Black (BLK)
Shifters	Shimano Tourney, 7-speed	Color 3	Maroon (MRN)

Treadwell 3 Remixte



C37300U

Frame	All-New, Step-thru, SmartForm C3 Alloy, step-thru Ride-Easy geometry, Straightshot hidden cable routing, Urban Armor frame bumpers, flat mount disc, rack/fender mounts	Handlebar	Cannondale Cruise Control riser, 6061 alloy, 31.8mm clamp, 15 degree backsweep, 740mm width
Fork	All-New, Steel blades, 1-1/8" steerer, OutFront offset, flat mount disc, mid-blade mounts	Grips	Cannondale Comfort
Rims	Cannondale, double wall, 32h	Stem	Cannondale 3 with Intellimount, alloy, 31.8mm clamp
Hubs	(F) Sealed Alloy Disc, QR / (R) Sealed Alloy Disc, QR	Headset	Tange Semi-Integrated
Spokes	Stainless Steel, 14g	Brakes	Promax mechanical disc, 160/160mm rotors
Tires	Maxxis DTR-1, 650b x 47c	Brake Levers	Cannondale Forged alloy
Pedals	Cannondale Comfort	Saddle	Cannondale Treadwell, 170mm, steel rails
Crank	Prowheel, 38T	Seatpost	Alloy, 31.6 x 350mm
Bottom Bracket	Cartridge Sealed	Connectivity	Wheel Sensor
Chain	KMC Z51, 7-speed	Sizes	S, L
Rear Cogs	Sunrace, 11-34, 7-speed	Color 1	Maroon (MRN)
Rear Derailleur	Shimano Tourney	Color 2	Quicksand (QSD)
Shifters	Shimano Tourney, 7-speed	Color 3	Black (BLK)



Comfortably Fast

A high-performance fitness bike that blends real road-bike speed with the comfort and control of an upright riding position.

Key Benefits

- **Light and Racy**
Ultra light and seriously fast, thanks to its full carbon frame and fork, and high-performance components.
- **Connected Comfort**
SAVE Micro-Suspension in the frame, fork and seatpost keeps you protected from shocks and vibration yet connected to the feel of the ride.
- **True Endurance**
Endurance Race Geometry positions you forward enough to go hard but upright enough to go long, plus a removable seatstay bridge and hidden fender mounts keep you rolling on any road, in any weather.

Category

Fitness

Sizes

SM, MD, LG, XL

Wheel / Tire Size

700 x30

Synapse Carbon Disc Ultegra Flatbar



C32800M

Frame	BallisTec Carbon, Di2 ready, SAVE, BB30a, flat mount, 12mm thru axle, internal cable routing, removable fender bridge	Front Derailleur	Shimano 105, braze-on
Fork	BallisTec Carbon, SAVE, integrated crown race, 12x100mm thru-axle, internal routing, size-specific design - (S/M): 1-1/8" - 1-1/4" tapered steerer, 55mm rake, (L/XL): 1-1/8" - 1-3/8" tapered steerer, 45mm rake	Rear Derailleur	Shimano Ultegra GS
Rims	RD 2.0, 28h	Shifters	Shimano RS700 FB, 2x11
Hubs	(F) Formula RX-512 12x100 / (R) Formula RX-142 12x142	Handlebar	Cannondale 3 Flat, 6061 alloy, 10° back, 3° rise
Spokes	Stainless steel, 14g	Grips	Cannondale Ergo Fitness Dual Density, Lock-on
Tires	Vittoria Zaffiro Pro Bright Black, 700 x 30c, reflective strip	Stem	Cannondale 3, 6061 alloy, 31.8, 7°
Pedals	Not Included	Headset	Synapse, 1-1/4" lower bearing, 25mm top cap
Crank	FSA Omega alloy, 50/34	Brakes	Shimano UR300 hydro disc, 160/160mm RT10 rotors
Bottom Bracket	Cannondale BB30	Brake Levers	Shimano MT201 hydro disc
Chain	KMC X11, 11-speed	Saddle	Fabric Scoop Radius Elite, cro-mo rails
Rear Cogs	Shimano 105, 11-34, 11-speed	Seatpost	6061 alloy, 25.4 x 350mm (44-56), 400mm (58-61)
		Connectivity	Wheel Sensor
		Sizes	S, M, L, XL
		Color 1	Black (BLK)

Synapse Carbon Disc Tiagra Flatbar



C32850M

Frame	BallisTec Carbon, Di2 ready, SAVE, BB30a, flat mount, 12mm thru axle, internal cable routing, removable fender bridge	Front Derailleur	Shimano Tiagra, braze-on
Fork	BallisTec Carbon, SAVE, integrated crown race, 12x100mm thru-axle, internal routing, size-specific design - (S/M): 1-1/8" - 1-1/4" tapered steerer, 55mm rake, (L/XL): 1-1/8" - 1-3/8" tapered steerer, 45mm rake	Rear Derailleur	Shimano Tiagra GS
Rims	RD 2.0, 28h	Shifters	Shimano Tiagra FB, 2x10
Hubs	(F) Formula RX-512 12x100 / (R) Formula RX-142 12x142	Handlebar	Cannondale 3 Flat, 6061 Alloy, 10° back, 3° rise
Spokes	Stainless steel, 14g	Grips	Cannondale Ergo Fitness Dual Density, Lock-on
Tires	Vittoria Zaffiro Pro Bright Black, 700 x 30c, reflective strip	Stem	Cannondale 3, 6061 alloy, 31.8, 7°
Pedals	Not Included	Headset	Synapse, 1-1/4" lower bearing, 25mm top cap
Crank	FSA Omega alloy, 48/32	Brakes	Shimano UR300 hydro disc, 160/160mm RT26 rotors
Bottom Bracket	Cannondale BB30	Brake Levers	Shimano MT200 hydro disc
Chain	KMC X10, 10-speed	Saddle	Fabric Scoop Radius Elite, cro-mo rails
Rear Cogs	Sunrace, 11-32, 10-speed	Seatpost	Alloy, 25.4 x 350mm (44-56), 400mm (58-61)
		Connectivity	Wheel Sensor
		Sizes	S, M, L, XL
		Color 1	Midnight (MDN)

CAAD Optimo Flat Bar



Race-Bred Comfort

Race-Bred Comfort

Key Benefits

- **Exceptional Aluminum**
CAAD Optimo's SmartForm C2 Aluminum construction is lighter and has a better ride-feel than many of our competitors' premium alloy offerings.
- **Ride Smoother with SAVE**
Flex zones built into in the frame's rear triangle absorb shock for better comfort and control
- **Versatile Speed**
Subtle mounts expand CAAD Optimo's versatility for commuting/wet weather training.

Category

Fitness

Sizes

48, 51, 54, 56, 58, 60, 63

Wheel / Tire Size

700 x25

CAAD Optimo Claris Flatbar



C34800M

Frame	SmartForm C2 Alloy, SAVE, tapered headtube, fender mounts	Rear Derailleur	Shimano Claris
Fork	Full Carbon, 1-1/8" to 1-1/4" steerer, fender mounts	Shifters	TBD
Rims	RS 2.0, 24h front, 28h rear	Handlebar	
Hubs	(F) Formula RB-31 / (R) Formula RB-32	Grips	Cannondale Fitness
Spokes	TBD	Stem	Cannondale 4, 6061 Alloy, 31.8, 6°
Tires		Headset	TBD
Pedals	Wellgo w/ Clip and Strap	Brakes	Promax RC-476
Crank	TBD	Brake Levers	TBD
Bottom Bracket	Tange Cartridge	Saddle	Cannondale Stage Ergo
Chain	KMC Z51, 8-speed	Seatpost	
Rear Cogs	Sunrace 11-32, 8-speed	Sizes	48, 51, 54, 56, 58, 60, 63
Front Derailleur	TBD	Color 1	Black (BLK)

Quick As You Like



The new Quick is our all-rounder – a fast, versatile and fun bike that appeals to a wide range of riders. Perfect for enjoying a workout, cruising the city or just getting out and feeling good.

Key Benefits

▫ **Feel the Light**

Quick bikes are the lightest in their class, making them easier to pedal, easier to lift, and easier to love. For 2020, all Quicks feature a new, updated frame that's lighter weight, with refined SAVE micro-suspension features, easy-to-use StraightShot internal cable routing, and a sleek new look.

▫ **Connected**

Most Quick models feature an all- new way for riders to connect with the ride experience. An integrated wheel sensor pairs with with a new, free Cannondale App and tracks activity (like speed, distance and calories burned), registers the bike, sends service reminders and more.

▫ **Comfortable & Capable**

Bump-absorbing SAVE micro-suspension, comfy grips and new pressure-relieving saddles for comfort. 360° reflective accents for visibility. Rack and fender mounts for versatility.

Category

Fitness

Sizes

Women's
XS, SM, MD, LG

Men's
SM, MD, LG, XL, XXL

Wheel / Tire Size

700 x32/35

Quick 1



C31100M

Frame	SmartForm C3 Alloy, SAVE, tapered head tube, Straightshot hidden cable routing, flat mount disc, rack/fender mounts, 360° reflectivity
Fork	Full carbon, 12x100mm thru-axle, 1-1/4" to 1-1/8" tapered steerer, flat mount disc, fender mounts, 360° reflectivity
Rims	Cannondale Disc, double wall, 32h
Hubs	(F) Formula CRX-512, 12x100 / (R) Formula CX-22 QR
Spokes	Stainless steel, 14g
Tires	Schwalbe Lugano, 700 x 32c, K-Guard, reflective strip
Pedals	Cannondale Fitness Reinforced Composite
Crank	FSA Omega, 50/34
Bottom Bracket	FSA MegaExo
Chain	Shimano HG601, 11-speed
Rear Cogs	Shimano 105, 11-32, 11-speed

Front Derailleur	Shimano 105, 31.8 clamp
Rear Derailleur	Shimano 105 GS
Shifters	Shimano RS700 FB, 2x11
Handlebar	Cannondale Riser, 6061 Alloy, 18mm rise, 8° back, 4° up, 640mm
Grips	Cannondale Ergo Fitness Dual Density, lock-on
Stem	Cannondale 3 with Intellimount, alloy, 31.8mm clamp
Headset	FSA Sealed Bearing, Integrated, 1-1/4"-1-1/8"
Brakes	Shimano MT201 hydro disc, 160/160mm RT56 rotors
Brake Levers	Shimano MT201 hydro disc
Saddle	Cannondale Quick Ergo Performance
Seatpost	Cannondale 3, 6061 Alloy, 27.2 x 350mm
Connectivity	Wheel Sensor
Sizes	S, M, L, XL, 2XL
Color 1	Black Pearl (BPL)

Quick 3



C31300M

Frame	SmartForm C3 Alloy, SAVE, tapered head tube, Straightshot hidden cable routing, flat mount disc, rack/fender mounts, 360° reflectivity
Fork	Full carbon, 12x100mm thru-axle, 1-1/4" to 1-1/8" tapered steerer, flat mount disc, fender mounts, 360° reflectivity
Rims	Cannondale Disc, double wall, 32h
Hubs	(F) Formula CRX-512, 12x100 / (R) Formula DC-1422 QR
Spokes	Stainless steel, 14g
Tires	Schwalbe Spicer, 700 x 35c, K-Guard, reflective strip
Pedals	Cannondale Fitness Reinforced Composite
Crank	Prowheel, 48/32
Bottom Bracket	Tange Cartridge, square taper
Chain	KMC Z9, 9-speed
Rear Cogs	Sunrace, 11-34, 9-speed
Front Derailleur	Shimano Acera, 31.8mm clamp

Rear Derailleur	Shimano Altus
Shifters	Shimano Altus, 2x9
Handlebar	Cannondale Riser, 6061 Alloy, 18mm rise, 8° back, 4° up, 640mm
Grips	Cannondale Ergo Fitness Dual Density, lock-on
Stem	Cannondale 3 with Intellimount, alloy, 31.8mm clamp
Headset	FSA Sealed Bearing, Integrated, 1-1/4"-1-1/8"
Brakes	Tektro hydraulic disc, 160/140mm rotors
Brake Levers	Tektro hydraulic disc
Saddle	Cannondale Fitness Ergo Double Density
Seatpost	6061 Alloy, 27.2 x 350mm
Connectivity	Wheel Sensor
Sizes	S, M, L, XL, 2XL
Color 1	Chameleon (CML)
Color 2	Black Pearl (BPL)
Color 3	Cashmere (CAS)



Quick 2



C31200M

Frame	SmartForm C3 Alloy, SAVE, tapered head tube, Straightshot hidden cable routing, flat mount disc, rack/fender mounts, 360° reflectivity
Fork	Full carbon, 12x100mm thru-axle, 1-1/4" to 1-1/8" tapered steerer, flat mount disc, fender mounts, 360° reflectivity
Rims	Cannondale Disc, double wall, 32h
Hubs	(F) Formula CRX-512, 12x100 / (R) Formula DC-1422 QR
Spokes	Stainless steel, 14g
Tires	Schwalbe Lugano, 700 x 32c, K-Guard, reflective strip
Pedals	Cannondale Fitness Reinforced Composite
Crank	FSA Tempo, 50/34
Bottom Bracket	Cartridge square taper
Chain	KMC Z9, 9-speed
Rear Cogs	Shimano HG2009, 11-34, 9-speed

Front Derailleur	Shimano Sora, 31.8 clamp
Rear Derailleur	Shimano Sora GS
Shifters	Shimano Sora, 2x9
Handlebar	Cannondale Riser, 6061 Alloy, 18mm rise, 8° back, 4° up, 640mm
Grips	Cannondale Ergo Fitness Dual Density, lock-on
Stem	Cannondale 3 with Intellimount, alloy, 31.8mm clamp
Headset	FSA Sealed Bearing, Integrated, 1-1/4"-1-1/8"
Brakes	Tektro hydraulic disc, 160/140mm rotors
Brake Levers	Tektro hydraulic disc
Saddle	Cannondale Quick Ergo Performance
Seatpost	Cannondale 3, 6061 Alloy, 27.2 x 350mm
Connectivity	Wheel Sensor
Sizes	S, M, L, XL, 2XL
Color 1	Crush (CRU)

Consumer Name 1 Consumer Name 2

SMU - C31370M_CAS / CRU
PLACEHOLDER

Frame	Frame
Fork	Fork
Rear Shock	Rear Shock
Rims	Rims
Hubs	Hubs
Spokes	Spokes
Tires	Tires
Pedals	Pedals
Crank	Crank
Bottom Bracket	Bottom Bracket
Chain	Chain
Rear Cogs	Rear Cogs
Front Derailleur	Front Derailleur
Rear Derailleur	Rear Derailleur

Shifters	Shifters
Handlebar	Handlebar
Grips	Grips
Stem	Stem
Headset	Headset
Brakes	Brakes
Brake Levers	Brake Levers
Saddle	Saddle
Seatpost	Seatpost
Connectivity	Connectivity
Sizes	Sizes Available
Color 1	Color 1 Description (Color 1)
Color 2	Color 2 Description (Color 2)
Extras	Extras

Model Code

Quick 4



C31400M

Frame	SmartForm C3 Alloy, SAVE, tapered head tube, Straightshot hidden cable routing, flat mount disc, rack/fender mounts, 360° reflectivity	Rear Derailleur	microSHIFT Advent
Fork	Chromoly, 1-1/8" steerer, flat mount disc, fender mounts, 360° reflectivity	Shifters	microSHIFT Advent, 9-speed
Rims	Cannondale Disc, double wall w/eyelet, 32h	Handlebar	6061 double-butt, 25mm rise, 8° sweep, 6° rise, 640mm
Hubs	(F) Sealed Alloy Disc, QR / (R) Sealed Alloy Disc, QR	Grips	Cannondale Ergo Fitness Dual Density, lock-on
Spokes	Stainless steel, 14g	Stem	Cannondale 3 with Intellimount, alloy, 31.8mm clamp
Tires	Schwalbe Spicer, 700 × 35c, K-Guard, reflective strip	Headset	FSA Sealed Bearing, Integrated, 1-1/8"
Pedals	Cannondale Fitness	Brakes	Tektro hydro disc, 160/160mm rotor
Crank	Prowheel alloy, 38T	Brake Levers	Tektro hydro disc
Bottom Bracket	Tange Cartridge, square taper	Saddle	Cannondale Fitness Ergo Double Density
Chain	KMC Z9, 9-speed	Seatpost	6061 Alloy, 27.2 × 350mm
Rear Cogs	microSHIFT, 11-42, 9-speed	Connectivity	Wheel Sensor
		Sizes	S, M, L, XL, 2XL
		Color 1	Graphite (GRA)

Consumer Name 1
Consumer Name 2

SMU - C31470M_MDN / WHT
PLACEHOLDER

Frame	Frame	Shifters	Shifters
Fork	Fork	Handlebar	Handlebar
Rear Shock	Rear Shock	Grips	Grips
Rims	Rims	Stem	Stem
Hubs	Hubs	Headset	Headset
Spokes	Spokes	Brakes	Brakes
Tires	Tires	Brake Levers	Brake Levers
Pedals	Pedals	Saddle	Saddle
Crank	Crank	Seatpost	Seatpost
Bottom Bracket	Bottom Bracket	Connectivity	Connectivity
Chain	Chain	Sizes	Sizes Available
Rear Cogs	Rear Cogs	Color 1	Color 1 Description (Color 1)
Front Derailleur	Front Derailleur	Color 2	Color 2 Description (Color 2)
Rear Derailleur	Rear Derailleur	Extras	Extras

Model Code

Quick 5



C31500M

Frame	SmartForm C3 Alloy, SAVE, tapered head tube, Straightshot hidden cable routing, flat mount disc, rack/fender mounts, 360° reflectivity	Rear Derailleur	Shimano Tourney TX
Fork	Chromoly, 1-1/8" steerer, flat mount disc, fender mounts, 360° reflectivity	Shifters	Shimano M315 Rapidfire Plus, 2×7
Rims	Cannondale Disc, double wall w/eyelet, 32h	Handlebar	6061 double-butt, 25mm rise, 8° sweep, 6° rise, 640mm
Hubs	(F) Sealed Alloy Disc, QR / (R) Formula QR	Grips	Cannondale Ergo Fitness Dual Density, lock-on
Spokes	Stainless steel, 14g	Stem	6061 Alloy, 31.8, 8°
Tires	Schwalbe Spicer, 700 × 35c, K-Guard, reflective strip	Headset	FSA Sealed Bearing, Integrated, 1-1/4"-1-1/8"
Pedals	Cannondale Fitness	Brakes	Promax mechanical disc, 160/160mm rotors
Crank	Shimano Tourney, 46/30	Brake Levers	Promax
Bottom Bracket	Tange Cartridge	Saddle	Cannondale Fitness Ergo Double Density
Chain	KMC Z51, 7-speed	Seatpost	6061 Alloy, 27.2 × 350mm
Rear Cogs	Shimano HG200, 12-32, 7-speed	Connectivity	Wheel Sensor
Front Derailleur	Shimano Tourney, 31.8 clamp	Sizes	S, M, L, XL, 2XL
		Color 1	Acid Red (ARD)
		Color 2	Grey (GRY)

Consumer Name 1
Consumer Name 2

SMU - C31570M_RED
PLACEHOLDER

Frame	Frame	Rear Derailleur	Rear Derailleur
Fork	Fork	Shifters	Shifters
Rear Shock	Rear Shock	Handlebar	Handlebar
Rims	Rims	Grips	Grips
Hubs	Hubs	Stem	Stem
Spokes	Spokes	Headset	Headset
Tires	Tires	Brakes	Brakes
Pedals	Pedals	Brake Levers	Brake Levers
Crank	Crank	Saddle	Saddle
Bottom Bracket	Bottom Bracket	Seatpost	Seatpost
Chain	Chain	Connectivity	Connectivity
Rear Cogs	Rear Cogs	Sizes	Sizes Available
Front Derailleur	Front Derailleur	Color 1	Color 1 Description (Color 1)
		Extras	Extras

Model Code

Quick 6



C31600M

Frame	SmartForm C3 Alloy, SAVE, tapered head tube, Straightshot hidden cable routing, rack/fender mounts, 360° reflectivity	Rear Derailleur	Shimano Tourney
Fork	Chromoly, 1-1/8" steerer, fender mounts, 360° reflectivity	Shifters	Shimano Easy Fire EF41, 3x7
Rims	Cannondale, double wall, 32h	Handlebar	6061 double-budded, 25mm rise, 8° sweep, 6° rise, 640mm
Hubs	(F) Alloy, sealed, loose ball bearings, 32h, QR / (R) Alloy, sealed, loose ball bearings, 32h, QR	Grips	Cannondale Ergo Fitness Dual Density, lock-on
Spokes	Stainless steel, 14g	Stem	6061 Alloy, 31.8, 8°
Tires	Kenda Kourier, 700 x 35c	Headset	Semi-Integrated, cage retainer
Pedals	Cannondale Fitness	Brakes	V-Brake
Crank	Shimano Tourney, 48/38/28	Brake Levers	Shimano Easy Fire EF41
Bottom Bracket	Tange Cartridge	Saddle	Cannondale Fitness Ergo Double Density
Chain	KMC Z51, 7-speed	Seatpost	6061 Alloy, 27.2 x 350mm
Rear Cogs	Shimano HG200, 12-28, 7-speed	Sizes	S, M, L, XL, 2XL
Front Derailleur	Shimano Tourney, 31.8 clamp	Color 1	Black (BLK)
		Color 2	Acid Green (AGR)

Quick Women's 1



C31100F

Frame	SmartForm C3 Alloy, SAVE, tapered head tube, Straightshot hidden cable routing, flat mount disc, rack/fender mounts, 360° reflectivity	Front Derailleur	Shimano 105, 31.8 clamp
Fork	Full carbon, 12x100mm thru-axle, 1-1/4" to 1-1/8" tapered steerer, flat mount disc, fender mounts, 360° reflectivity	Rear Derailleur	Shimano 105 GS
Rims	Cannondale Disc, double wall, 32h	Shifters	Shimano RS700 FB, 2x11
Hubs	(F) Formula CRX-512, 12x100 / (R) Formula CX-22 QR	Handlebar	Cannondale Riser, 6061 Alloy, 18mm rise, 8° back, 4° up, 600mm
Spokes	Stainless steel, 14g	Grips	Cannondale Ergo Fitness Dual Density, Lock-on
Tires	Schwalbe Lugano, 700 x 32c, K-Guard, reflective strip	Stem	Cannondale 3 with Intellimount, alloy, 31.8mm clamp
Pedals	Cannondale Fitness Reinforced Composite	Headset	FSA Sealed Bearing, Integrated, 1-1/4"-1-1/8"
Crank	FSA Omega, 50/34	Brakes	Shimano MT201 hydro disc, 160/160mm RT56 rotors
Bottom Bracket	FSA MegaExo	Brake Levers	Shimano MT201 hydro disc
Chain	Shimano HG601, 11-speed	Saddle	Cannondale Quick Women's Ergo Performance
Rear Cogs	Shimano 105, 11-32, 11-speed	Seatpost	Cannondale 3, 6061 Alloy, 27.2 x 350mm
		Connectivity	Wheel Sensor
		Sizes	XS, S, M, L
		Color 1	Champagne (CHP)

Quick Women's 2



C31200F

Frame	SmartForm C3 Alloy, SAVE, tapered head tube, Straightshot hidden cable routing, flat mount disc, rack/fender mounts, 360° reflectivity	Front Derailleur	Shimano Sora, 31.8 clamp
Fork	Full carbon, 12x100mm thru-axle, 1-1/4" to 1-1/8" tapered steerer, flat mount disc, fender mounts, 360° reflectivity	Rear Derailleur	Shimano Sora GS
Rims	Cannondale Disc, double wall, 32h	Shifters	Shimano Sora, 2x9
Hubs	(F) Formula CRX-512, 12x100 / (R) Formula DC-1422 QR	Handlebar	Cannondale Riser, 6061 Alloy, 18mm rise, 8° back, 4° up, 600mm
Spokes	Stainless steel, 14g	Grips	Cannondale Ergo Fitness Dual Density, Lock-on
Tires	Schwalbe Lugano, 700 x 32c, K-Guard, reflective strip	Stem	Cannondale 3 with Intellimount, alloy, 31.8mm clamp
Pedals	Cannondale Fitness Reinforced Composite	Headset	FSA Sealed Bearing, Integrated, 1-1/4"-1-1/8"
Crank	FSA Tempo, 50/34	Brakes	Tekro hydraulic disc, 160/140mm rotors
Bottom Bracket	Cartridge square taper	Brake Levers	Tekro hydraulic disc
Chain	KMC Z9, 9-speed	Saddle	Cannondale Quick Women's Ergo Performance
Rear Cogs	Shimano HG2009, 11-34, 9-speed	Seatpost	Cannondale 3, 6061 Alloy, 27.2 x 350mm
		Connectivity	Wheel Sensor
		Sizes	XS, S, M, L
		Color 1	Chameleon (CML)

Quick Women's 3



C31300F

Frame	Step-Thru, SmartForm C3 Alloy, SAVE, tapered head tube, Straightshot hidden cable routing, flat mount disc, rack/fender mounts, 360° reflectivity	Front Derailleur	Shimano Acera, 31.8mm clamp
Fork	Full carbon, 12x100mm thru-axle, 1-1/4" to 1-1/8" tapered steerer, flat mount disc, fender mounts, 360° reflectivity	Rear Derailleur	Shimano Altus
Rims	Cannondale Disc, double wall, 32h	Shifters	Shimano Altus, 2x9
Hubs	(F) Formula CRX-512, 12x100 / (R) Formula DC-1422 QR	Handlebar	Cannondale Riser, 6061 Alloy, 18mm rise, 8° back, 4° up, 600mm
Spokes	Stainless steel, 14g	Grips	Cannondale Ergo Fitness Dual Density, Lock-on
Tires	Schwalbe Spicer, 700 x 35c, K-Guard, reflective strip	Stem	Cannondale 3 with Intellimount, alloy, 31.8mm clamp
Pedals	Cannondale Fitness Reinforced Composite	Headset	FSA Sealed Bearing, Integrated, 1-1/4"-1-1/8"
Crank	Prowheel, 48/32	Brakes	Tektro hydraulic disc, 160/140mm rotors
Bottom Bracket	Tange Cartridge, square taper	Brake Levers	Tektro hydraulic disc
Chain	KMC Z9, 9-speed	Saddle	Cannondale Fitness Women's Ergo Double Density
Rear Cogs	Sunrace, 11-34, 9-speed	Seatpost	6061 Alloy, 27.2 x 350mm
		Connectivity	Wheel Sensor
		Sizes	XS, S, M, L
		Color 1	Agave (AGV)

Quick Women's 4



C31400F

Frame	SmartForm C3 Alloy, SAVE, tapered head tube, Straightshot hidden cable routing, flat mount disc, rack/fender mounts, 360° reflectivity	Rear Derailleur	microSHIFT Advent
Fork	Chromoly, 1-1/8" steerer, flat mount disc, fender mounts, 360° reflectivity	Shifters	microSHIFT Advent, 9-speed
Rims	Cannondale Disc, double wall w/eyelet, 32h	Handlebar	6061 double-budded, 25mm rise, 8° sweep, 6° rise, 600mm
Hubs	(F) Sealed Alloy Disc, QR / (R) Sealed Alloy Disc, QR	Grips	Cannondale Ergo Fitness Dual Density, lock-on
Spokes	Stainless steel, 14g	Stem	Cannondale 3 with Intellimount, alloy, 31.8mm clamp
Tires	Schwalbe Spicer, 700 x 35c, K-Guard	Headset	FSA Sealed Bearing, Integrated, 1-1/4"-1-1/8"
Pedals	Cannondale Fitness	Brakes	Tektro hydro disc, 160/160mm rotor
Crank	Prowheel alloy, 38T	Brake Levers	Tektro hydro disc
Bottom Bracket	Tange Cartridge, square taper	Saddle	Cannondale Fitness Women's Ergo Double Density
Chain	KMC Z9, 9-speed	Seatpost	6061 Alloy, 27.2 x 350mm
Rear Cogs	microSHIFT, 11-42, 9-speed	Connectivity	Wheel Sensor
		Sizes	XS, S, M, L
		Color 1	Sherpa (SRP)

Quick Women's 3 Remixte



C31330F

Frame	Step-Thru, SmartForm C3 Alloy, SAVE, tapered head tube, Straightshot hidden cable routing, flat mount disc, rack/fender mounts, 360° reflectivity	Front Derailleur	Shimano Acera, 31.8mm clamp
Fork	Full carbon, 12x100mm thru-axle, 1-1/4" to 1-1/8" tapered steerer, flat mount disc, fender mounts, 360° reflectivity	Rear Derailleur	Shimano Altus
Rims	Cannondale Disc, double wall, 32h	Shifters	Shimano Altus, 2x9
Hubs	(F) Formula CRX-512, 12x100 / (R) Formula DC-1422 QR	Handlebar	Cannondale Riser, 6061 Alloy, 18mm rise, 8° back, 4° up, 600mm
Spokes	Stainless steel, 14g	Grips	Cannondale Ergo Fitness Dual Density, Lock-on
Tires	Schwalbe Spicer, 700 x 35c, K-Guard, reflective strip	Stem	Cannondale 3 with Intellimount, alloy, 31.8mm clamp
Pedals	Cannondale Fitness Reinforced Composite	Headset	FSA Sealed Bearing, Integrated, 1-1/4"-1-1/8"
Crank	Prowheel, 48/32	Brakes	Tektro hydraulic disc, 160/140mm rotors
Bottom Bracket	Tange Cartridge, square taper	Brake Levers	Tektro hydraulic disc
Chain	KMC Z9, 9-speed	Saddle	Cannondale Fitness Women's Ergo Double Density
Rear Cogs	Sunrace, 11-34, 9-speed	Seatpost	6061 Alloy, 27.2 x 350mm
		Connectivity	Wheel Sensor
		Sizes	XS, S, M, L
		Color 1	Agave (AGV)

Quick Women's 5



C31500F

Frame	Step-Thru, SmartForm C3 Alloy, SAVE, tapered head tube, Straightshot hidden cable routing, flat mount disc, rack/fender mounts, 360° reflectivity	Front Derailleur	Shimano Tourney, 31.8 clamp
Fork	Chromoly, 1-1/8" steerer, flat mount disc, fender mounts, 360° reflectivity	Rear Derailleur	Shimano Tourney TX
Rims	Cannondale Disc, double wall w/eyelet, 32h	Shifters	Shimano M315 Rapidfire Plus, 2x7
Hubs	(F) Sealed Alloy Disc, QR / (R) Formula QR	Handlebar	6061 double-budded, 25mm rise, 8° sweep, 6° rise, 600mm
Spokes	Stainless steel, 14g	Grips	Cannondale Ergo Fitness Dual Density, lock-on
Tires	Schwalbe Spicer, 700 x 35c, K-Guard, reflective strip	Stem	6061 Alloy, 31.8, 8°
Pedals	Cannondale Fitness	Headset	FSA Sealed Bearing, Integrated, 1-1/4"-1-1/8"
Crank	Shimano Tourney, 46/30	Brakes	Promax mechanical disc, 160/160mm rotors
Bottom Bracket	Tange Cartridge	Brake Levers	Promax
Chain	KMC Z51, 7-speed	Saddle	Cannondale Fitness Women's Ergo Double Density
Rear Cogs	Shimano HG200, 12-32, 7-speed	Seatpost	6061 Alloy, 27.2 x 350mm
		Connectivity	Wheel Sensor
		Sizes	XS, S, M, L
		Color 1	Graphite (GRA)

Quick Women's 5 Remixte



C31530F

Frame	Step-Thru, SmartForm C3 Alloy, SAVE, tapered head tube, Straightshot hidden cable routing, flat mount disc, rack/fender mounts, 360° reflectivity	Front Derailleur	Shimano Tourney, 31.8 clamp
Fork	Chromoly, 1-1/8" steerer, flat mount disc, fender mounts, 360° reflectivity	Rear Derailleur	Shimano Tourney TX
Rims	Cannondale Disc, double wall w/eyelet, 32h	Shifters	Shimano M315 Rapidfire Plus, 2x7
Hubs	(F) Sealed Alloy Disc, QR / (R) Formula QR	Handlebar	6061 double-butt, 25mm rise, 8° sweep, 6° rise, 600mm
Spokes	Stainless steel, 14g	Grips	Cannondale Ergo Fitness Dual Density, lock-on
Tires	Schwalbe Spicer, 700 x 35c, K-Guard	Stem	6061 Alloy, 31.8, 8°
Pedals	Cannondale Fitness	Headset	FSA Sealed Bearing, Integrated, 1-1/4"-1-1/8"
Crank	Shimano Tourney, 46/30	Brakes	Promax mechanical disc, 160/160mm rotors
Bottom Bracket	Tange Cartridge	Brake Levers	Promax
Chain	KMC Z51, 7-speed	Saddle	Cannondale Fitness Women's Ergo Double Density
Rear Cogs	Shimano HG200, 12-32, 7-speed	Seatpost	6061 Alloy, 27.2 x 350mm
		Connectivity	Wheel Sensor
		Sizes	XS, S, M, L
		Color 1	Graphite (GRA)

Quick Women's 6 Remixte



C31600F

Frame	Step-Thru, SmartForm C3 Alloy, SAVE, tapered head tube, Straightshot hidden cable routing, rack/fender mounts, 360° reflectivity	Front Derailleur	Shimano Tourney, 31.8 clamp
Fork	Chromoly, 1-1/8" steerer, fender mounts, 360° reflectivity	Rear Derailleur	Shimano Tourney
Rims	Cannondale, double wall, 32h	Shifters	Shimano Easy Fire EF41, 3x7
Hubs	(F) Alloy, sealed, loose ball bearings, 32h, QR / (R) Alloy, sealed, loose ball bearings, 32h, QR	Handlebar	6061 double-butt, 25mm rise, 8° sweep, 6° rise, 600mm
Spokes	Stainless steel, 14g	Grips	Cannondale Ergo Fitness Dual Density, lock-on
Tires	Kenda Kourier, 700 x 35c	Stem	6061 Alloy, 31.8, 8°
Pedals	Cannondale Fitness	Headset	Semi-Integrated, cage retainer
Crank	Shimano Tourney, 48/38/28	Brakes	V-Brake
Bottom Bracket	Tange Cartridge	Brake Levers	Shimano Easy Fire EF41
Chain	KMC Z51, 7-speed	Saddle	Cannondale Fitness Women's Ergo Double Density
Rear Cogs	Shimano HG200, 12-28, 7-speed	Seatpost	6061 Alloy, 27.2 x 350mm
		Sizes	XS, S, M, L
		Color 1	Ultra Violet (ULV)

Any Way, Any Day

Dirt one day. Road the next. The Quick CX is built to thrive wherever your adventure leads.

Key Benefits

- **Rule All Roads**
A bump-absorbing suspension fork and big, grippy multi-surface tires keep you comfortably in control on everything from smooth pavement to battered backroads.
- **Positioned for Success**
An upright, mountain-bike-inspired riding position feels natural and comfortable in all situations.
- **Lighten Up**
Thanks to Cannondale's unmatched aluminum expertise, Quick CX is remarkably light but offers heavyweight performance, on-road or off.



Category

Urban | Fitness

Sizes

SM, MD, LG, XL, XXL

Wheel / Tire Size

700 x40

Travel

50mm

Quick CX 1



C31150M

Frame	SmartForm C2 Alloy, SAVE, 1-1/2" to 1-1/8" tapered headtube, internal cable routing, BSA threaded BB, rack/fender mounts	Shifters	Shimano SLX, 11-speed
Fork	SR Suntour NCX w/ lockout, 50mm, 1-1/2"- 1-1/8" tapered steerer	Handlebar	Cannondale 3, 6061 double-butted, 20mm rise, 9° back, 680mm
Rims	Cannondale Disc, double wall w/eyelet, 32h	Grips	Cannondale Fitness
Hubs	(F) Shimano XT / (R) Shimano XT, QR	Stem	Cannondale 3 with Intellimount, alloy, 31.8mm clamp
Spokes	Stainless steel, 14g	Headset	VP Si 1-1/2"- 1-1/8"
Tires	Kenda Piedmont, 700x40c	Brakes	Shimano MT400 hydro disc, 160/160mm RT54 rotors
Pedals	Cannondale Platform	Brake Levers	Shimano MT400 hydro disc
Crank	FSA V-Drive, MegaExo, 38T	Saddle	Cannondale Quick CX Ergo
Bottom Bracket	FSA MegaExo	Seatpost	Cannondale 3, 6061 Alloy, 27.2 x 350mm
Chain	KMC X11, 11-speed	Connectivity	Wheel Sensor
Rear Cogs	Sunrace, 11-42, 11-speed	Sizes	S, M, L, XL, 2XL
Rear Derailleur	Shimano Deore XT	Color 1	Black Pearl (BPL)

Quick CX 3



C31350M

Frame	SmartForm C2 Alloy, SAVE, 1-1/2" to 1-1/8" tapered headtube, internal cable routing, BSA threaded BB, rack/fender mounts	Shifters	Shimano Easy Fire EF505, 2x8
Fork	SR Suntour NEX w/ lockout, 50mm, 1-1/8" steerer	Handlebar	6061 double-butted, 25mm rise, 680mm
Rims	Cannondale Disc, double wall w/eyelet, 32h	Grips	Cannondale Fitness
Hubs	(F) Shimano QR / (R) Shimano QR	Stem	Cannondale 3 with Intellimount, alloy, 31.8mm clamp
Spokes	Stainless steel, 14g	Headset	VP Si 1-1/2"- 1-1/8"
Tires	Kenda Piedmont, 700x40c	Brakes	Shimano MT200 hydro disc, 160/160mm RT10 rotors
Pedals	Cannondale Platform	Brake Levers	Shimano MT200 hydro disc
Crank	Shimano Tourney, 46/30	Saddle	Cannondale Quick CX Ergo
Bottom Bracket	Cartridge square taper	Seatpost	6061 Alloy, 27.2 x 350mm
Chain	KMC Z72, 8-speed	Connectivity	Wheel Sensor
Rear Cogs	Sunrace, 11-34, 8-speed	Sizes	S, M, L, XL, 2XL
Front Derailleur	Shimano Tourney, 31.8 clamp	Color 1	Electric Blue (ELB)
Rear Derailleur	Shimano Altus	Color 2	Grey (GRY)

Quick CX 2



C31250M

Frame	SmartForm C2 Alloy, SAVE, 1-1/2" to 1-1/8" tapered headtube, internal cable routing, BSA threaded BB, rack/fender mounts	Shifters	Shimano Acera, 2x9
Fork	SR Suntour NCX w/ lockout, 50mm, 1-1/2"- 1-1/8" tapered steerer	Handlebar	6061 double-butted, 25mm rise, 680mm
Rims	Cannondale Disc, double wall w/eyelet, 32h	Grips	Cannondale Fitness
Hubs	(F) Shimano MT200 / (R) Shimano QR	Stem	Cannondale 3 with Intellimount, alloy, 31.8mm clamp
Spokes	Stainless steel, 14g	Headset	VP Si 1-1/2"- 1-1/8"
Tires	Kenda Piedmont, 700x40c	Brakes	Shimano MT200 hydro disc, 160/160mm RT10 rotors
Pedals	Cannondale Platform	Brake Levers	Shimano MT200 hydro disc
Crank	Shimano MT210, 46/30	Saddle	Cannondale CX Ergo
Bottom Bracket	Shimano MT210	Seatpost	6061 Alloy, 27.2 x 350mm
Chain	KMC Z9, 9-speed	Connectivity	Wheel Sensor
Rear Cogs	Sunrace, 11-34, 9-speed	Sizes	S, M, L, XL, 2XL
Front Derailleur	Shimano Acera, 31.8mm clamp	Color 1	Crush (CRU)
Rear Derailleur	Shimano Acera	Color 2	Mantis Gray (MAT)

Quick CX 4



C31450M

Frame	SmartForm C2 Alloy, SAVE, 1-1/2" to 1-1/8" tapered headtube, internal cable routing, BSA threaded BB, rack/fender mounts	Rear Derailleur	Shimano Tourney
Fork	SR Suntour NEX w/ lockout, 50mm, 1-1/8" steerer	Shifters	Shimano Easy Fire EF41, 3x7
Rims	Cannondale Disc, double wall w/eyelet, 32h	Handlebar	6061 double-butted, 25mm rise, 680mm
Hubs	(F) Formula QR / (R) Formula QR	Grips	Cannondale Fitness
Spokes	Stainless steel, 14g	Stem	6061 Alloy, 31.8, 8°
Tires	Kenda Piedmont, 700x40c	Headset	VP Si 1-1/2"- 1-1/8"
Pedals	Cannondale Platform	Brakes	Tektro mechanical disc, 160/160mm rotors
Crank	Shimano Tourney, 48/38/28	Brake Levers	Shimano Easy Fire EF41
Bottom Bracket	Cartridge square taper	Saddle	Cannondale Quick CX Ergo
Chain	KMC Z51, 7-speed	Seatpost	6061 Alloy, 27.2 x 350mm
Rear Cogs	Sunrace, 14-34, 7-speed	Sizes	S, M, L, XL, 2XL
Front Derailleur	Shimano Tourney, 31.8mm clamp	Color 1	Black (BLK)

Any Way, Any Day

Dirt one day. Road the next. Althea is built to thrive wherever your adventure leads.

Key Benefits

- **Rule All Roads**
A bump-absorbing suspension fork and big, grippy multi-surface tires keep you comfortably in control on everything from smooth pavement to battered backroads.
- **Positioned for Success**
An upright, mountain-bike-inspired riding position feels natural and comfortable in all situations.
- **Lighten Up**
Thanks to Cannondale's unmatched aluminum expertise, Althea is remarkably light but offers heavyweight performance, on-road or off.



Category

Urban | Fitness

Sizes

XS, SM, MD

Wheel / Tire Size

700 x40

Travel

50mm

Althea 1



C31150F

Frame	SmartForm C2 Alloy, SAVE, 1-1/2" to 1-1/8" tapered headtube, internal cable routing, BSA threaded BB, rack/fender mounts	Shifters	Shimano SLX, 11-speed
Fork	SR Suntour NCX w/ lockout, 50mm, 1-1/2"- 1-1/8" tapered steerer	Handlebar	Cannondale 3, 6061 double-butted, 20mm rise, 9° back, 680mm
Rims	Cannondale Disc, double wall w/eyelet, 32h	Grips	Cannondale Low-Profile Locking Grips
Hubs	(F) Shimano XT / (R) Shimano XT, QR	Stem	Cannondale 3 with Intellimount, alloy, 31.8mm clamp
Spokes	Stainless steel, 14g	Headset	VP Si 1-1/2"- 1-1/8"
Tires	Kenda Piedmount, 700×40c	Brakes	Shimano MT400 hydro disc, 160/160mm RT54 rotors
Pedals	Cannondale Platform	Brake Levers	Shimano MT400 hydro disc
Crank	FSA V-Drive, MegaExo, 38T	Saddle	Cannondale Women's CX Ergo
Bottom Bracket	FSA MegaExo	Seatpost	Cannondale 3, 6061 Alloy, 27.2 × 350mm
Chain	KMC X11, 11-speed	Connectivity	Wheel Sensor
Rear Cogs	Sunrace, 11-42, 11-speed	Sizes	XS, S, M
Rear Derailleur	Shimano Deore XT	Color 1	Meteor Gray (MTG)

Althea 3



C31350F

Frame	SmartForm C2 Alloy, SAVE, 1-1/2" to 1-1/8" tapered headtube, internal cable routing, BSA threaded BB, rack/fender mounts	Rear Derailleur	Shimano Altus
Fork	SR Suntour NEX w/ lockout, 50mm, 1-1/8" steerer	Shifters	Shimano Easy Fire EF505, 2×8
Rims	Cannondale Disc, double wall w/eyelet, 32h	Handlebar	6061 double-butted, 25mm rise, 680mm
Hubs	(F) Shimano QR / (R) Shimano QR	Grips	Cannondale Fitness
Spokes	Stainless steel, 14g	Stem	Cannondale 3 with Intellimount, alloy, 31.8mm clamp
Tires	Kenda Piedmount, 700×40c	Headset	VP Si 1-1/2"- 1-1/8"
Pedals	Cannondale Platform	Brakes	Shimano MT200 hydro disc, 160/160mm RT10 rotors
Crank	Shimano Tourney, 46/30	Brake Levers	Shimano MT200 hydro disc
Bottom Bracket	Cartridge square taper	Saddle	Cannondale Women's CX Ergo
Chain	KMC Z72, 8-speed	Seatpost	6061 Alloy, 27.2 × 350mm
Rear Cogs	Sunrace, 11-34, 8-speed	Connectivity	Wheel Sensor
Front Derailleur	Shimano Tourney, 31.8 clamp	Sizes	XS, S, M
		Color 1	Maroon (MRN)

Althea 2



C31250F

Frame	SmartForm C2 Alloy, SAVE, 1-1/2" to 1-1/8" tapered headtube, internal cable routing, BSA threaded BB, rack/fender mounts	Rear Derailleur	Shimano Acera
Fork	SR Suntour NCX w/ lockout, 50mm, 1-1/2"- 1-1/8" tapered steerer	Shifters	Shimano Acera, 2×9
Rims	Cannondale Disc, double wall w/eyelet, 32h	Handlebar	6061 double-butted, 25mm rise, 680mm
Hubs	(F) Shimano MT200 / (R) Shimano QR	Grips	Cannondale Low-Profile Locking Grips
Spokes	Stainless steel, 14g	Stem	Cannondale 3 with Intellimount, alloy, 31.8mm clamp
Tires	Kenda Piedmont, 700×40c	Headset	VP Si 1-1/2"- 1-1/8"
Pedals	Cannondale Platform	Brakes	Shimano MT200 hydro disc, 160/160mm RT10 rotors
Crank	Shimano MT210, 46/30	Brake Levers	Shimano MT200 hydro disc
Bottom Bracket	Shimano MT210	Saddle	Cannondale Women's CX Ergo
Chain	KMC Z9, 9-speed	Seatpost	6061 Alloy, 27.2 × 350mm
Rear Cogs	Sunrace, 11-34, 9-speed	Connectivity	Wheel Sensor
Front Derailleur	Shimano Acera, 31.8mm clamp	Sizes	XS, S, M
		Color 1	Champagne (CHP)

Althea 4



C31450F

Frame	SmartForm C2 Alloy, SAVE, 1-1/2" to 1-1/8" tapered headtube, internal cable routing, BSA threaded BB, rack/fender mounts	Rear Derailleur	Shimano Tourney
Fork	SR Suntour NEX w/ lockout, 50mm, 1-1/8" steerer	Shifters	Shimano Easy Fire EF41, 3×7
Rims	Cannondale Disc, double wall w/eyelet, 32h	Handlebar	6061 double-butted, 25mm rise, 680mm
Hubs	(F) Formula QR / (R) Formula QR	Grips	Cannondale Fitness
Spokes	Stainless steel, 14g	Stem	6061 Alloy, 31.8, 8°
Tires	Kenda Piedmont, 700×40c	Headset	VP Si 1-1/2"- 1-1/8"
Pedals	Cannondale Platform	Brakes	Tektro mechanical disc, 160/160mm rotors
Crank	Shimano Tourney, 48/38/28	Brake Levers	Shimano Easy Fire EF41
Bottom Bracket	Cartridge square taper	Saddle	Cannondale Women's CX Ergo
Chain	KMC Z51, 7-speed	Seatpost	6061 Alloy, 27.2 × 350mm
Rear Cogs	Sunrace, 14-34, 7-speed	Sizes	XS, S, M
Front Derailleur	Shimano Tourney, 31.8mm clamp	Color 1	Turquoise (TRQ)

Ride Content



Cruise effortlessly down the lane, enjoy the boardwalk bike path. Life's for living. Live it up.

Key Benefits

- **Simple and Easy to Ride**
Our upright riding position, reassuringly stable handling and easy-to-use controls make Adventure comfortable, engaging and fun to ride.
- **Comfort is King**
Adventure's suspension fork and seatpost, ultra-plush saddle and grips, and soft-touch quick release handles make comfort a top priority
- **Lighter is Better**
Cannondale's unmatched aluminum expertise and thoughtful component spec keep weight low, so Adventure is easy to ride, and easy to lift.

Category	Sizes	Wheel / Tire Size	Travel
Fitness	Men's: S, M, L, X Women's: S, T	700 x40	50mm

Adventure 1



C32100M

Frame	SmartForm C3 Alloy, BSA threaded BB, 1-1/8" headtube	Rear Derailleur	Shimano Acera
Fork	Suntour SF-13, 50mm travel	Shifters	Shimano M315 Rapidfire Plus, 2x8
Rims	Cannondale, double wall, 32h	Handlebar	Cannondale Riser, 6061 Alloy, 60mm rise, 15°, 685mm
Hubs	(F) Shimano Tourney / (R) Shimano Tourney	Grips	Cannondale Ergo Comfort
Spokes	Stainless steel, 14g	Stem	Promax A-headset Adjustable, 31.8
Tires	Vee Rubber Speedster, 700 x 40c	Headset	Tange Semi-integrated
Pedals	Cannondale Fitness Reinforced Composite	Brakes	V-Brake
Crank	Shimano Tourney, 46/30	Brake Levers	Cannondale V-Brake
Bottom Bracket	Tange Cartridge	Saddle	Cannondale Ultra Comfort
Chain	KMC Z72, 8-speed	Seatpost	Suspension post, 27.2 x 350mm
Rear Cogs	Shimano HG31, 11-32, 8-speed	Sizes	S, M, L, XL
Front Derailleur	Shimano Tourney, 31.8 clamp	Color 1	Fine Silver (SLV)

Adventure Women's 1



C32100F

Frame	Step-Thru, SmartForm C3 Alloy, BSA threaded BB, 1-1/8" headtube	Rear Derailleur	Shimano Acera
Fork	Suntour SF-13, 50mm travel	Shifters	Shimano M315 Rapidfire Plus, 2x8
Rims	Cannondale, double wall, 32h	Handlebar	Cannondale Riser, 6061 Alloy, 60mm rise, 15°, 685mm
Hubs	(F) Shimano Tourney / (R) Shimano Tourney	Grips	Cannondale Ergo Comfort
Spokes	Stainless steel, 14g	Stem	Promax A-headset Adjustable, 31.8
Tires	Vee Rubber Speedster, 700 x 40c	Headset	Tange Semi-Integrated
Pedals	Cannondale Fitness Reinforced Composite	Brakes	V-Brake
Crank	Shimano Tourney, 46/30	Brake Levers	Cannondale V-Brake
Bottom Bracket	Tange Cartridge	Saddle	Cannondale Ultra Comfort
Chain	KMC Z72, 8-speed	Seatpost	Suspension post, 27.2 x 350mm
Rear Cogs	Shimano HG31, 11-32, 8-speed	Sizes	S, T
Front Derailleur	Shimano Tourney, 31.8 clamp	Color 1	Maroon (MRN)

Adventure 2



C32200M

Frame	SmartForm C3 Alloy, BSA threaded BB, 1-1/8" headtube	Rear Derailleur	Shimano Tourney
Fork	Suntour SF-14, 50mm travel	Shifters	Shimano Tourney, 3x7
Rims	Cannondale, double wall, 32h	Handlebar	Cannondale Riser, 6061 Alloy, 60mm rise, 15°, 685mm
Hubs	(F) Cannondale C4 / (R) Cannondale C4	Grips	Cannondale Ergo Comfort
Spokes	Stainless steel, 14g	Stem	6061 Alloy, 31.8, 8°
Tires	Vee Rubber Speedster, 700 x 40c	Headset	Tange Semi-Integrated
Pedals	Cannondale Fitness Reinforced Composite	Brakes	V-Brake
Crank	Shimano, 48/38/28	Brake Levers	Cannondale V-Brake
Bottom Bracket	Tange Cartridge	Saddle	Cannondale Ultra Comfort
Chain	KMC Z51, 7-speed	Seatpost	Suspension post, 27.2 x 300mm
Rear Cogs	Sunrace, 14-34, 7-speed, FW	Sizes	S, M, L, XL
Front Derailleur	Shimano Tourney, 31.8 clamp	Color 1	Black Pearl (BPL)

Adventure Women's 2

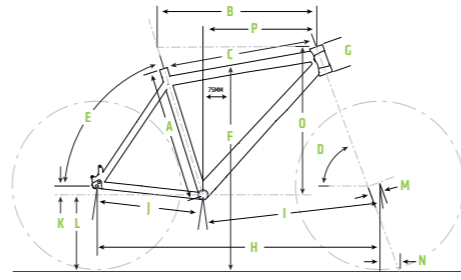


C32200F

Frame	Step-Thru, SmartForm C3 Alloy, BSA threaded BB, 1-1/8" headtube	Rear Derailleur	Shimano Tourney
Fork	Suntour SF-14, 50mm travel	Shifters	Shimano Tourney, 3x7
Rims	Cannondale, double wall, 32h	Handlebar	Cannondale Riser, 6061 Alloy, 60mm rise, 15°, 685mm
Hubs	(F) Cannondale C4 / (R) Cannondale C4	Grips	Cannondale Ergo Comfort
Spokes	Stainless steel, 14g	Stem	6061 Alloy, 31.8, 8°
Tires	Vee Rubber Speedster, 700 x 40c	Headset	Tange Semi-Integrated
Pedals	Cannondale Fitness Reinforced Composite	Brakes	V-Brake
Crank	Shimano, 48/38/28	Brake Levers	Cannondale V-Brake
Bottom Bracket	Tange Cartridge	Saddle	Cannondale Ultra Comfort
Chain	KMC Z51, 7-speed	Seatpost	Suspension post, 27.2 x 300mm
Rear Cogs	Sunrace, 14-34, 7-speed, FW	Sizes	S, T
Front Derailleur	Shimano Tourney, 31.8 clamp	Color 1	Turquoise (TRQ)

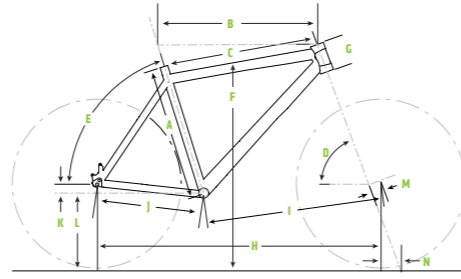
Bad Boy

	SM	MD	LG	XL
A Seat Tube Length (cm)	45.0	49.0	52.5	55.0
B Top Tube Horizontal (cm)	56.0	59.2	61.8	65.0
C Top Tube Actual (cm)	NA	NA	NA	NA
D Head Tube Angle	70°	70°	70°	70°
E Seat Tube Angle	73.5°	73.5°	73.5°	73.5°
F Standover (cm)	76.2	79.2	83.3	85.8
G Head Tube Length (cm)	43.5	43.5	43.5	43.5
H Wheelbase (cm)	103.6	107.0	109.9	113.3
I Front Center (cm)	60.6	64.0	66.9	70.3
J Chain Stay Length (cm)	43.5	43.5	43.5	43.5
K Bottom Bracket Drop (cm)	5.3	5.3	5.3	5.3
L Bottom Bracket Height (cm)	2.8	2.8	2.8	2.8
M Fork Rake (cm)	2.2	2.2	2.2	2.2
N Trail (cm)	9.9	9.9	9.9	9.9
O Stack (cm)	58.9	61.8	66.0	68.8
P Reach (cm)	38.6	40.9	42.3	44.6



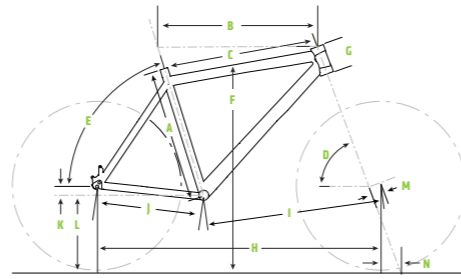
Tesoro

	48	52	56	60
A Seat Tube Length (cm)	48	52	56	60
B Top Tube Horizontal (cm)	54.0	55.0	56.5	58.0
C Top Tube Actual (cm)	N/A	N/A	N/A	N/A
D Head Tube Angle	68°	69°	70°	70.5°
E Seat Tube Angle	74°	73.5°	73°	73°
F Standover (cm)	75.3	77.6	80	82.4
G Head Tube Length (cm)	15	16	17	18
H Wheelbase (cm)	104.2	105.3	105.8	108.3
I Front Center (cm)	60.7	61.6	62.1	63.3
J Chain Stay Length (cm)	45	45	45	45
K Bottom Bracket Drop (cm)	6.7	6.7	6.7	6.7
L Bottom Bracket Height (cm)	28	28	28	28
M Fork Rake (cm)	4.5	4.5	4.5	4.5
N Trail (cm)	8.5	8.5	7.8	7.5



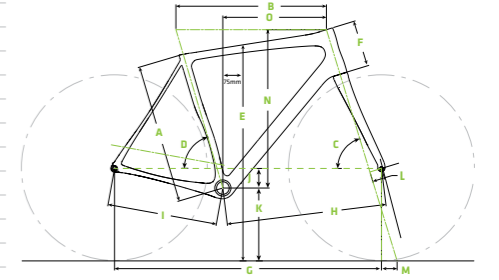
Tesoro Mixte

	48	53	55
A Seat Tube Length (cm)	48	53	55
B Top Tube Horizontal (cm)	54.5	56	58
C Top Tube Actual (cm)	N/A	*	*
D Head Tube Angle	69°	70°	71°
E Seat Tube Angle	74°	73.5°	73°
F Standover (cm)	67.7	69.7	69.9
G Head Tube Length (cm)	15	16	17
H Wheelbase (cm)	106.8	106.8	107.3
I Front Center (cm)	61.6	62.2	62.8
J Chain Stay Length (cm)	45	45	45
K Bottom Bracket Drop (cm)	6.7	6.7	6.7
L Bottom Bracket Height (cm)	28	28	28
M Fork Rake (cm)	4.5	4.5	4.5
N Trail (cm)	8.5	7.8	7.2



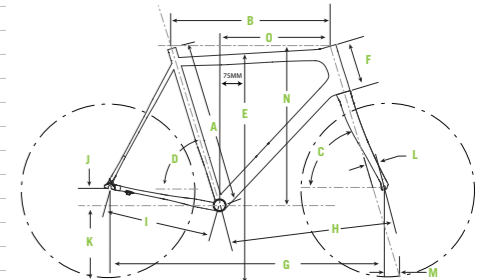
Synapse Carbon Flat Bar

	SM (51cm)	MD (54cm)	LG (56cm)	XL (58cm)
A Seat Tube Length (cm)	44.3	48.0	52.0	55.0
B Top Tube Horizontal (cm)	53.1	54.7	56.1	57.9
C Head Tube Angle	71.7°	71.7°	73.0°	73.0°
D Seat Tube Angle	74.3°	73.9°	73.5°	73.0°
E Standover (cm)	74.2	77.3	80.4	83.3
F Head Tube Length (cm)	13.7	16.1	17.3	19.7
G Wheelbase (cm)	99.4	100.8	99.5	100.9
H Front Center (cm)	59.6	60.9	59.6	60.9
I Chain Stay Length (cm)	41.0	41.0	41.0	41.0
J Bottom Bracket Drop (cm)	7.5	7.3	7.3	7.0
K Bottom Bracket Height (cm)	27	27.2	27.2	27.5
L Fork Rake (cm)	5.5	5.5	4.5	4.5
M Trail (cm)	5.6	5.6	5.8	5.8
N Stack (cm)	55	57	59	61
O Reach (cm)	37.7	38.2	38.6	39.3



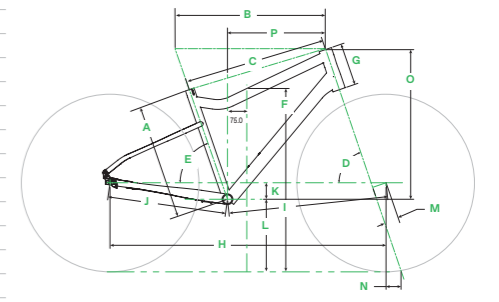
CAAD Optimo Flat Bar

	48	51	54	56	58	60	63
A Seat Tube Length (cm)	48.7	53	55.9	57.6	59.4	61.5	63.5
B Top Tube Horizontal (cm)	51	52.8	54.7	56.1	57.5	59.1	60.7
C Head Tube Angle	71.5°	72.3°	72.9°	73.1°	73.2°	73.3°	73.4°
D Seat Tube Angle	74.7°	74.3°	73.8°	73.5°	73.2°	72.9°	72.6°
E Standover (cm)	74.2	76	78.7	80.2	82.2	84.1	86.2
F Head Tube Length (cm)	10.7	12	13.9	15.5	17.5	19.5	21.9
G Wheelbase (cm)	96.3	97	98	98.9	100	101.3	102.7
H Front Center (cm)	56.9	57.6	58.6	59.5	60.5	61.6	62.8
I Chain Stay Length (cm)	40.5	40.5	40.5	40.5	40.5	40.7	40.9
J Bottom Bracket Drop (cm)	7.4	7.4	7.2	7.2	6.9	6.9	6.9
K Bottom Bracket Height (cm)	26.8	26.8	27.1	27.1	27.3	27.3	27.3
L Fork Rake (cm)	4.5	4.5	4.5	4.5	4.5	4.5	4.5
M Trail (cm)	6.7	6.2	5.8	5.7	5.6	5.6	5.5
N Stack (cm)	51.8	53.3	55.1	56.6	58.3	60.3	62.6
O Reach (cm)	36.9	37.8	38.7	39.3	39.9	40.5	41.1



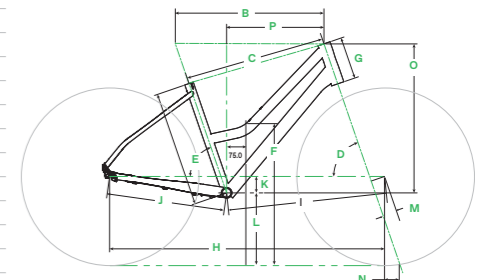
Treadwell

	SM	MD	LG
A Seat Tube Length (cm)	38.7	45.0	51.3
B Top Tube Horizontal (cm)	55.7	57.9	60.0
C Top Tube Actual (cm)	NA	NA	NA
D Head Tube Angle	70.5°	71.0°	71.0°
E Seat Tube Angle	71.0°	71.0°	71.0°
F Standover (cm)	66.5	70.9	74.7
G Head Tube Length (cm)	13.5	16.5	19.6
H Wheelbase (cm)	105.9	107.6	109.7
I Front Center (cm)	60.1	61.8	63.9
J Chain Stay Length (cm)	46.0	46.0	46.0
K Bottom Bracket Drop (cm)	6.4	6.4	6.4
L Bottom Bracket Height (cm)	28.0	28.0	28.0
M Fork Rake (cm)	5.5	5.5	5.5
N Trail (cm)	6.3	6.0	6.0
O Stack (cm)	55.0	58.0	61.0
P Reach (cm)	36.8	37.9	39.0



Treadwell Remixte

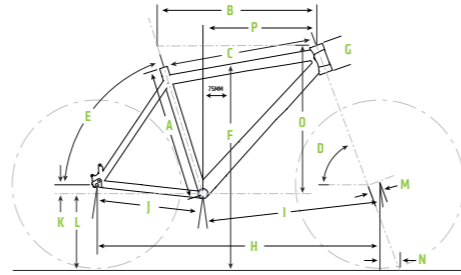
	SM	LG
A Seat Tube Length (cm)	38.7	45.0
B Top Tube Horizontal (cm)	55.7	57.9
C Top Tube Actual (cm)	NA	NA
D Head Tube Angle	70.5°	71.0°
E Seat Tube Angle	71.0°	71.0°
F Standover (cm)	54.5	54.9
G Head Tube Length (cm)	13.5	16.5
H Wheelbase (cm)	105.9	107.6
I Front Center (cm)	60.1	61.8
J Chain Stay Length (cm)	46.5	46.5
K Bottom Bracket Drop (cm)	6.4	6.4
L Bottom Bracket Height (cm)	28.0	28.0
M Fork Rake (cm)	5.5	5.5
N Trail (cm)	6.3	6.0
O Stack (cm)	55.0	58.0
P Reach (cm)	36.8	37.9



* Indicates same as previous

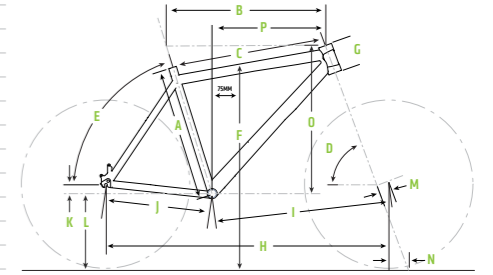
Quick

	SM	MD	LG	XL	2XL
A Seat Tube Length (cm)	40.0	45.0	50.0	55.0	60.0
B Top Tube Horizontal (cm)	55.7	57.3	58.8	60.3	61.9
C Top Tube Actual (cm)	N/A				
D Head Tube Angle	70.0°	70.0°	70.0°	70.0°	70.0°
E Seat Tube Angle	73.0°	73.0°	73.0°	73.0°	73.0°
F Standover (cm)	69.0	73.1	77.2	81.2	85.2
G Head Tube Length (cm)	13.4	16.0	18.5	21.1	23.6
H Wheelbase (cm)	105.3	107.0	108.6	110.3	112.0
I Front Center (cm)	62.7	64.4	66.0	67.7	69.4
J Chain Stay Length (cm)	43.5	43.5	43.5	43.5	43.5
K Bottom Bracket Drop (cm)	6.8	6.8	6.8	6.8	6.8
L Bottom Bracket Height (cm)	27.7	27.7	27.7	27.7	27.7
M Fork Rake (cm)	5.5	5.5	5.5	5.5	5.5
N Trail (cm)	6.7	6.7	6.7	6.7	6.7
O Stack (cm)	55.4	57.8	60.2	62.6	65.0
P Reach (cm)	38.8	39.6	40.4	41.2	42.0



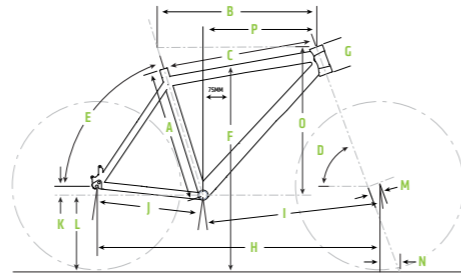
Quick CX

	SM	MD	LG	XL	2XL
A Seat Tube Length (cm)	40.0	45.0	50.0	55.0	60.0
B Top Tube Horizontal (cm)	56.7	58.1	59.5	60.8	62.2
C Top Tube Actual (cm)	N/A				
D Head Tube Angle	69.5°	69.5°	69.5°	69.5°	69.5°
E Seat Tube Angle	73.0°	73.0°	73.0°	73.0°	73.0°
F Standover (cm)	71.9	75.7	79.5	83.3	86.9
G Head Tube Length (cm)	10.7	12.3	14.1	15.8	17.2
H Wheelbase (cm)	107.8	109.3	110.9	112.3	113.8
I Front Center (cm)	63.5	65.0	66.5	67.9	69.4
J Chain Stay Length (cm)	45.0	45.0	45.0	45.0	45.0
K Bottom Bracket Drop (cm)	6.0	6.0	6.0	6.0	6.0
L Bottom Bracket Height (cm)	29.3	29.3	29.3	29.3	29.3
M Fork Rake (cm)	4.5	4.5	4.5	4.5	4.5
N Trail (cm)	8.4	8.4	8.4	8.4	8.4
O Stack (cm)	58.4	59.9	61.6	63.2	64.5
P Reach (cm)	38.9	39.8	40.7	41.5	42.5



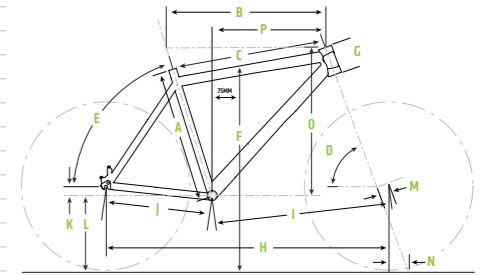
Quick Women's

	SM	MD	TL
A Seat Tube Length (cm)	35.0	40.0	45.0
B Top Tube Horizontal (cm)	54.2	55.7	57.3
C Top Tube Actual (cm)	N/A	N/A	N/A
D Head Tube Angle	70.0°	73.0°	73.0°
E Seat Tube Angle	73.0°	73.0°	73.0°
F Standover (cm)	64.8	69.0	73.1
G Head Tube Length (cm)	10.9	13.4	16.0
H Wheelbase (cm)	103.6	105.3	107.0
I Front Center (cm)	61.0	62.7	64.4
J Chain Stay Length (cm)	43.5	43.5	43.5
K Bottom Bracket Drop (cm)	6.8	6.8	6.8
L Bottom Bracket Height (cm)	27.7	27.7	27.7
M Fork Rake (cm)	5.5	5.5	5.5
N Trail (cm)	6.7	6.7	6.7
O Stack (cm)	53.0	55.4	57.8
P Reach (cm)	38.0	38.8	39.6



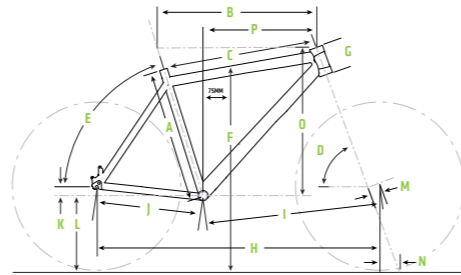
Althea

	XS	SM	MD
A Seat Tube Length (cm)	35.0	40.0	45.0
B Top Tube Horizontal (cm)	55.3	56.7	58.1
C Top Tube Actual (cm)	N/A	N/A	N/A
D Head Tube Angle	69.5°	69.5°	69.5°
E Seat Tube Angle	73.0°	73.0°	73.0°
F Standover (cm)	67.9	71.9	75.7
G Head Tube Length (cm)	10.7	10.7	12.3
H Wheelbase (cm)	105.7	107.8	109.3
I Front Center (cm)	62.5	63.5	65.0
J Chain Stay Length (cm)	43.5	45.0	45.0
K Bottom Bracket Drop (cm)	4.1	6.0	6.0
L Bottom Bracket Height (cm)	29.6	29.3	29.3
M Fork Rake (cm)	4.5	4.5	4.5
N Trail (cm)	7.8	8.4	8.4
O Stack (cm)	56.4	58.4	59.9
P Reach (cm)	38.1	38.9	39.8



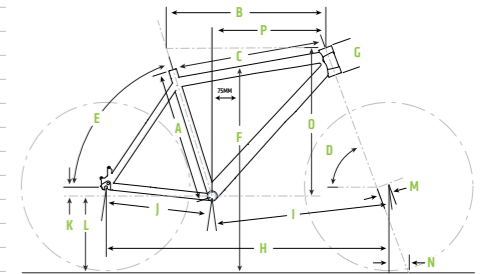
Quick Mixte

	SM	MD	TL
A Seat Tube Length (cm)	35.0	40.0	45.0
B Top Tube Horizontal (cm)	54.2	55.7	57.3
C Top Tube Actual (cm)	N/A	*	*
D Head Tube Angle	70.0°	*	*
E Seat Tube Angle	73.0°	*	*
F Standover (cm)	60.7	61.3	61.9
G Head Tube Length (cm)	10.9	13.4	16.0
H Wheelbase (cm)	103.6	105.3	107.0
I Front Center (cm)	61.0	62.7	64.4
J Chain Stay Length (cm)	43.5	*	*
K Bottom Bracket Drop (cm)	6.8	*	*
L Bottom Bracket Height (cm)	27.7	*	*
M Fork Rake (cm)	5.5	*	*
N Trail (cm)	6.7	*	*
O Stack (cm)	53.0	55.4	57.8
P Reach (cm)	38.0	38.8	39.6



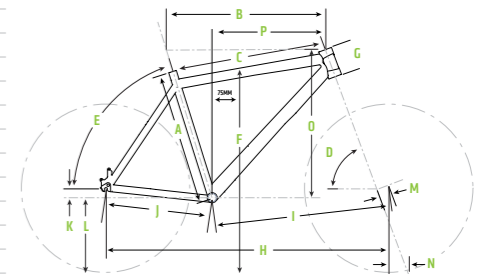
Adventure

	SM	MD	LG	XL
A Seat Tube Length (cm)	38.5	44.5	51.0	57.5
B Top Tube Horizontal (cm)	57.2	59.0	60.5	62.5
C Top Tube Actual (cm)	NA			
D Head Tube Angle	69.0°	69.0°	69.0°	69.0°
E Seat Tube Angle	70.0°	70.0°	70.0°	70.0°
F Standover (cm)	70.1	73.8	77.6	81.2
G Head Tube Length (cm)	14.5	15.5	16.5	17.5
H Wheelbase (cm)	106.6	108.5	110.0	112.0
I Front Center (cm)	61.0	62.8	64.3	66.3
J Chain Stay Length (cm)	46.5	46.5	46.5	46.5
K Bottom Bracket Drop (cm)	6.8	6.8	6.8	6.8
L Bottom Bracket Height (cm)	28.0	28.0	28.0	28.0
M Fork Rake (cm)	4.5	4.5	4.5	4.5
N Trail (cm)	8.5	8.5	8.5	8.5
O Stack (cm)	61.7	62.6	63.5	64.5
P Reach (cm)	34.8	36.2	37.4	39.0



Adventure Women's

	SM	TL
A Seat Tube Length (cm)	36.5	47.5
B Top Tube Horizontal (cm)	56.0	59.0
C Top Tube Actual (cm)	N/A	N/A
D Head Tube Angle	69.0°	69.0°
E Seat Tube Angle	70.0°	70.0°
F Standover (cm)	58.1	63.5
G Head Tube Length (cm)	13.5	15.5
H Wheelbase (cm)	105.4	108.5
I Front Center (cm)	59.8	62.8
J Chain Stay Length (cm)	46.5	46.5
K Bottom Bracket Drop (cm)	6.8	6.8
L Bottom Bracket Height (cm)	28.0	28.0
M Fork Rake (cm)	4.5	4.5
N Trail (cm)	8.5	8.5
O Stack (cm)	60.7	62.6
P Reach (cm)	33.9	36.2



* Indicates same as previous



E-Bike

- ROAD
- MOUNTAIN
- URBAN

E-Bike Line-Up

Road



SUPERSIX EVO NEO



SYNAPSE NEO



SYNAPSE NEO SE

Mountain



MOTERRA



HABIT NEO



CUJO NEO 130



TRAIL NEO

Urban



CANVAS NEO



TESORO NEO X



TESORO NEO



QUICK NEO



QUICK NEO SL



MAVARO NEO CITY



MAVARO NEO



TREADWELL NEO

Fly



Svelte, smooth and super fast. It's a bike for people seeking a pure, high-performance road riding experience – with a boost.

Key Benefits

▫ The Speed of Light

This is a machine built for speed. The BallisTec carbon construction, aerodynamically efficient tube shapes and sleek integration keep the drag low, the weight minimal and the velocity high.

▫ Ride Better

This is real road riding, made better. A lightweight motor in the rear hub and small battery in the frame provide the perfect amount of boost to enhance your ride, not overwhelm it.

▫ Swift and Sure.

Racy geometry and stiffness for explosive speed. Refined micro-suspension and big tire clearance for surprising smoothness. It all adds up to precise handling and a ride-feel that's out of sight.

Category

E-Bike | E-Road

Sizes

S, M, L, XL

Wheel / Tire Size

700 x28c

Travel

Null

SuperSix EVO Neo 1



C66150M

Frame	All-New, BallisTec Carbon, internal downtube battery, integrated cable routing w/ Switchplate, dropout/axle spacing 135mm, SAVE, T47, flat mount disc, integrated seat binder	Chain	Shimano HG701, 11-speed
Fork	All-New, BallisTec Carbon, SAVE, 1-1/8" to 1-1/4" steerer, integrated crown race, 12x100mm Speed Release thru-axle, flat mount disc, internal routing, 55mm offset (S-M) 45mm offset (L)	Rear Cogs	Shimano Ultegra, 11-30, 11-speed
Drive Unit	MAHLE ebikemotion X35 250W	Front Derailleur	Shimano Dura-Ace Di2, braze-on
Battery	MAHLE ebikemotion X35 250Wh	Rear Derailleur	Shimano Dura-Ace Di2
Charger	MAHLE ebikemotion X35	Shifters	Shimano Dura-Ace Di2 hydro disc, 2x11
Rims	Vision Metron 40 Clincher Disc, 40mm depth, 28h, tubeless ready	Handlebar	HollowGram SystemBar SAVE, Carbon, 8 deg. pitch adjust
Hubs	(F) Vision Alloy, 12x100 / (R) ebikemotion X35 250W	Grips	Prologo One Touch
Spokes	Vision, Aero bladed	Stem	All-New HollowGram SAVE, alloy, -6°
Tires	Vittoria Rubino Pro Bright Black, 700 x 28c	Headset	Integrated Sealed Bearing, Tapered
Pedals	Not Included	Brakes	Shimano Dura-Ace Di2 hydro disc, 160/160mm RT86 rotors
Crank	HollowGram, T47 w/ OPI SpideRing, 50/34	Brake Levers	Shimano Dura-Ace Di2 hydro disc
Bottom Bracket	FSA T47 MegaEvo, threaded	Saddle	Prologo Dimension NDR, 143mm width, Tirox rails
		Seatpost	All-New HollowGram 27 SL KNØT, carbon, 2 bolt clamp, 330mm
		Connectivity	Wheel Sensor
		Sizes	SM, MD, LG
		Color 1	Graphite (GRA)

SuperSix EVO Neo 3



C66350M

Frame	All-New, BallisTec Carbon, internal downtube battery, integrated cable routing w/ Switchplate, dropout/axle spacing 135mm, SAVE, T47, flat mount disc, integrated seat binder	Chain	Shimano HG601, 11-speed
Fork	All-New, BallisTec Carbon, SAVE, 1-1/8" to 1-1/4" steerer, integrated crown race, 12x100mm Speed Release thru-axle, flat mount disc, internal routing, 55mm offset (S-M) 45mm offset (L)	Rear Cogs	Shimano 105, 11-34, 11-speed
Drive Unit	MAHLE ebikemotion X35 250W	Front Derailleur	Shimano 105, braze-on
Battery	MAHLE ebikemotion X35 250Wh	Rear Derailleur	Shimano 105 GS
Charger	MAHLE ebikemotion X35	Shifters	Shimano 105 hydro disc, 2x11
Rims	FSA Team 30 Clincher Disc	Handlebar	Cannondale 3, 6061 alloy, Compact
Hubs	(F) FSA Alloy, 12x100 / (R) ebikemotion X35 250W	Grips	Cannondale Grip Bar Tape w/Gel, 3.5mm
Spokes	Vision, Aero bladed	Stem	Cannondale 3, 6061 alloy, 7-degree
Tires	Vittoria Rubino Pro Bright Black, 700 x 28c	Headset	Integrated Sealed Bearing, Tapered
Pedals	Not Included	Brakes	Shimano 105 hydro disc, 160/160mm RT66 rotors
Crank	Cannondale 1, T47, FSA rings, 50/34	Brake Levers	Shimano 105 hydro disc
Bottom Bracket	FSA T47 MegaEvo, threaded	Saddle	Prologo Dimension NDR, 143mm width, STN rails
		Seatpost	All-New HollowGram 27 KNØT, Alloy, 2 bolt clamp, 330mm
		Sizes	SM, MD, LG
		Color 1	Black Pearl (BPL)

SuperSix EVO Neo 2



C66250M

Frame	All-New, BallisTec Carbon, internal downtube battery, integrated cable routing w/ Switchplate, dropout/axle spacing 135mm, SAVE, T47, flat mount disc, integrated seat binder	Chain	Shimano HG601, 11-speed
Fork	All-New, BallisTec Carbon, SAVE, 1-1/8" to 1-1/4" steerer, integrated crown race, 12x100mm Speed Release thru-axle, flat mount disc, internal routing, 55mm offset (S-M) 45mm offset (L)	Rear Cogs	Shimano 105, 11-34, 11-speed
Drive Unit	MAHLE ebikemotion X35 250W	Front Derailleur	Shimano Ultegra, braze-on
Battery	MAHLE ebikemotion X35 250Wh	Rear Derailleur	Shimano Ultegra GS
Charger	MAHLE ebikemotion X35	Shifters	Shimano Ultegra hydro disc, 2x11
Rims	FSA Team 30 Clincher Disc	Handlebar	HollowGram SystemBar SAVE, Carbon, 8 deg. pitch adjust
Hubs	(F) FSA Alloy, 12x100 / (R) ebikemotion X35 250W	Grips	Cannondale Grip Bar Tape w/Gel, 3.5mm
Spokes	Vision, Aero bladed	Stem	All-New HollowGram SAVE, alloy, -6°
Tires	Vittoria Rubino Pro Bright Black, 700 x 28c	Headset	Integrated Sealed Bearing, Tapered
Pedals	Not Included	Brakes	Shimano Ultegra hydro disc, 160/160mm RT86 rotors
Crank	HollowGram, T47 w/ OPI SpideRing, 50/34	Brake Levers	Shimano Ultegra hydro disc
Bottom Bracket	FSA T47 MegaEvo, threaded	Saddle	Prologo Dimension, Tirox rails
		Seatpost	All-New HollowGram 27 SL KNØT, carbon, 2 bolt clamp, 330mm
		Sizes	SM, MD, LG
		Color 1	Sage Gray (SGG)

ALL-NEW

Synapse NEO



Enjoy the Open Road.

A e-road bike, with the power, range and comfort to open the roads for everyone.

Key Benefits

▫ The Range to Roam

Quiet, light, and drag free - the super-strong Bosch drive unit and long range battery are beautifully integrated into the Synapse NEO frame. Go further than ever.

▫ Connected & Protected

SAVE micro-suspension technology in the frame and fork insulates you from bumps while maintaining your connection to the road. Improved handling, more control, and enough comfort to ride all day.

▫ True Endurance

Endurance Race Geometry positions you forward enough to go hard but upright enough to go long, plus a removable seatstay bridge and hidden fender mounts keep you grinding on any road, in any weather.

Category

E-Bike | E-Road

Sizes

S, M, L, XL / 45,
50, 54, 58

Wheel / Tire Size

700 x32c

Travel

Synapse NEO 1



C67100M

Frame	SmartForm C1 Alloy, removable downtube battery, SAVE, Ai, internal cable routing, flat mount brake, 142x12 thru-axle, Si kickstand mount, rack/fender mounts	Chain	Shimano HG601, 11-speed
Fork	BallisTec Carbon, 1-1/8" to 1.5" tapered steerer, 55mm offset, flat mount brake, 12x100 thru axle, fender mounts, hidden cable routing	Rear Cogs	Shimano 105, 11-34, 11-speed
Drive Unit	Bosch Active Line Plus 250W	Front Derailleur	Shimano 105, braze-on
Battery	Bosch PowerTube 500Wh	Rear Derailleur	Shimano Ultegra GS
Display	Bosch Purion	Shifters	Shimano Ultegra hydro disc, 2x11
Charger	Bosch 4a	Handlebar	Cannondale 3, 6061 alloy, Compact
Rims	RD 2.0, 28h	Grips	Cannondale Grip Bar Tape w/Gel, 3.5mm
Hubs	(F) Formula CL-712 / (R) RXC-142S	Stem	Cannondale 3, 6061 alloy, 7-degree
Spokes	DT Swiss Champion	Headset	Integrated, 1-1/8 to 1.5", sealed angular contact bearings
Tires	WTB Exposure TCS, 700 x 32c, Distance+ compound, tubeless ready	Brakes	Shimano 105 hydro disc, 160/160mm RT70 rotors
Pedals	Not Included	Brake Levers	Shimano Ultegra hydro disc
Crank	Bosch Gen3 w/ custom Ai offset & FSA rings, 50/34	Saddle	Fabric Scoop Shallow Sport, steel rails
		Seatpost	Cannondale 2, UD Carbon, 25.4, 350mm (S-M), 400mm (L-XL)
		Connectivity	Wheel Sensor
		Sizes	S, M, L, XL
		Color 1	Black (BLK)

Synapse NEO SE



C67300M

Frame	SmartForm C1 Alloy, removable downtube battery, SAVE, Ai, internal cable routing, flat mount brake, 142x12 thru-axle, Si kickstand mount, rack/fender mounts	Chain	SRAM PC-1110, 11-speed
Fork	BallisTec Carbon, 1-1/8" to 1.5" tapered steerer, 55mm offset, flat mount brake, 12x100 thru axle, fender mounts, hidden cable routing	Rear Cogs	SRAM PG-1130, 11-42, 11-speed
Drive Unit	Bosch Active Line Plus 250W	Front Derailleur	SRAM Apex 1, Long cage
Battery	Bosch PowerTube 500Wh	Shifters	SRAM Apex hydro disc, 11-speed
Display	Bosch Purion	Handlebar	Cannondale 3, 6061 alloy, Compact
Charger	Bosch 4a	Grips	Cannondale Grip Bar Tape w/Gel, 3.5mm
Rims	WTB STI23 TCS 2.0, 28h, tubeless ready	Stem	Cannondale 3, 6061 alloy, 7-degree
Hubs	(F) Formula RX-512 12x100 / (R) Formula DC-142 12x142	Headset	Integrated, 1-1/8 to 1.5", sealed angular contact bearings
Spokes	DT Swiss Champion	Brakes	SRAM Apex hydro disc, 160/160mm Centerline rotors
Tires	WTB Byway TCS, 650b x 47mm, tubeless ready	Brake Levers	SRAM Apex hydro disc
Pedals	Not Included	Saddle	Fabric Scoop Radius Sport, steel rails
Crank	Bosch Gen3 w/ custom Ai offset & FSA rings, 44T	Seatpost	Cannondale 3, 6061 Alloy, 25.4, 350mm (S-M), 400mm (L-XL)
		Connectivity	Wheel Sensor
		Sizes	S, M, L, XL
		Color 1	Agave (AGV)

Synapse NEO EQ



C67200M

Frame	SmartForm C1 Alloy, removable downtube battery, SAVE, Ai, internal cable routing, flat mount brake, 142x12 thru-axle, Si kickstand mount, rack/fender mounts	Rear Cogs	Shimano HG500, 11-34, 10-speed
Fork	BallisTec Carbon, 1-1/8" to 1.5" tapered steerer, 55mm offset, flat mount brake, 12x100 thru axle, fender mounts, hidden cable routing	Front Derailleur	Shimano 105, braze-on
Drive Unit	Bosch Active Line Plus 250W	Rear Derailleur	Shimano Tiagra GS
Battery	Bosch PowerTube 500Wh	Shifters	Shimano Tiagra, 2x10
Display	Bosch Purion	Handlebar	Cannondale 3, 6061 alloy, Compact
Charger	Bosch 4a	Grips	Cannondale Grip Bar Tape w/Gel, 3.5mm
Rims	RD 2.0, 28h	Stem	Cannondale 3, 6061 alloy, 7-degree
Hubs	(F) Formula CL-712 / (R) RXC-142S	Headset	Integrated, 1-1/8 to 1.5", sealed angular contact bearings
Spokes	DT Swiss Champion	Brakes	Shimano Tiagra hydro disc, 160/160mm RT64 rotors
Tires	Schwalbe G-One Speed, 700 x 35c, V-Guard, MicroSkin, tubeless ready	Brake Levers	Shimano Tiagra
Pedals	Not Included	Saddle	Fabric Scoop Radius Sport, steel rails
Crank	Bosch Gen3 w/ custom Ai offset & FSA rings, 50/34	Seatpost	Cannondale 3, 6061 Alloy, 25.4m 350mm (S-M), 400mm (L-XL)
Chain	Shimano HG54, 10-speed	Connectivity	Wheel Sensor
		Sizes	S, M, L, XL
		Color 1	Mantis (MAT)
		Extras	Lights - Supernova Mini 2 front / E3 Tail Light rear, Tubus Wingee Fenders & Rear Rack

Synapse NEO 2



C67400M

Frame	SmartForm C1 Alloy, removable downtube battery, SAVE, Ai, internal cable routing, flat mount brake, 142x12 thru-axle, Si kickstand mount, rack/fender mounts	Chain	Shimano HG54, 10-speed
Fork	BallisTec Carbon, 1-1/8" to 1.5" tapered steerer, 55mm offset, flat mount brake, 12x100 thru axle, fender mounts, hidden cable routing	Rear Cogs	Shimano HG500, 11-34, 10-speed
Drive Unit	Bosch Active Line Plus 250W	Front Derailleur	Shimano 105, braze-on
Battery	Bosch PowerTube 500Wh	Rear Derailleur	Shimano Tiagra GS
Display	Bosch Purion	Shifters	Shimano Tiagra, 2x10
Charger	Bosch 4a	Handlebar	Cannondale 3, 6061 alloy, Compact
Rims	RD 2.0, 28h	Grips	Cannondale Grip Bar Tape w/Gel, 3.5mm
Hubs	(F) Formula CL-712 / (R) RXC-142S	Stem	Cannondale 3, 6061 alloy, 7-degree
Spokes	DT Swiss Champion	Headset	Integrated, 1-1/8 to 1.5", sealed angular contact bearings
Tires	WTB Exposure Comp, 700 x 32c, Distance compound	Brakes	Shimano Tiagra hydro disc, 160/160mm RT64 rotors
Pedals	Not Included	Brake Levers	Shimano Tiagra
Crank	Bosch Gen3 w/ custom Ai offset & FSA rings, 50/34	Saddle	Fabric Scoop Shallow Sport, steel rails
		Seatpost	Cannondale 3, 6061 Alloy, 25.4, 350mm (S-M), 400mm (L-XL)
		Connectivity	Wheel Sensor
		Sizes	S, M, L, XL
		Color 1	Midnight (MDN)

Boundless



An e-mountain bike with infinite capability. The shackles are off, go ride the unrideable. Again and again.

Key Benefits

- **It Rails**
Impressively precise. Uncommonly agile. With its low center of gravity, modern geometry and short chainstays, Moterra's handling is in a class of its own.
- **One Size Doesn't Fit All**
Riders come in all sizes. Proportional Response is the only design that addresses this fact, tailoring the suspension layout by size so that every rider gets optimal traction, suppleness and control.
- **Power & Style**
Bosch's powerful Performance CX drive unit and a long-lasting PowerTube battery integrate cleanly into Moterra's burly carbon frame. The power and range to ride anything — in a beautiful package.

Category	Sizes	Wheel / Tire Size	Travel
E-Bike E-Mountain	S, M, L, XL	27.5 x2.6"	160mm (F/R)

Moterra 1



C65100M

Frame	160mm travel, BallisTec Carbon Front Triangle, SmartForm C1 Alloy Swingarm, Proportional Response Tuned Suspension, removable downtube battery, alloy skid plate, Ai offset drivetrain, internal cable routing, 148x12mm thru-axle, post mount brake, tapered headtube
Fork	Fox Float Factory 36, 160mm, FIT Grip2 Damper, 15x110, tapered steerer, 51mm offset
Rear Shock	Fox Float Factory DPX2 EVOL, 3-Pos adj.
Drive Unit	Bosch Performance Line CX 250W
Battery	Bosch PowerTube
Display	Bosch Purion
Charger	Bosch 4a
Rims	Stan's NoTubes Flow MK3, 32h, tubeless ready
Hubs	(F) Formula 15x110 (R) SRAM 746, 12x148
Spokes	DT Swiss Champion
Tires	(F) (F) Maxxis Minion DHF, 27.5/29 x 2.6", 3C compound, EXO+, tubeless ready (R) (R) Maxxis Minion DHR II, 27.5/29 x 2.6", 3C compound, EXO+, tubeless ready
Pedals	Not Included

Crank	Bosch Gen4 w/ custom Ai offset, 34T
Chain	SRAM NX Eagle, 12-speed
Rear Cogs	SRAM PG-1230, NX Eagle, 11-50, 12-speed
Rear Derailleur	SRAM X01 Eagle
Shifters	SRAM GX Eagle, 12-speed
Handlebar	Cannondale 3 Riser, 6061 Alloy, 15mm rise, 8° sweep, 4° rise, 780mm
Grips	Fabric Funguy Locking Grips
Stem	Cannondale 1, 3D Forged 6061 Alloy, 1-1/8", 31.8, 7°
Headset	Integrated Sealed Bearing, Tapered
Brakes	Magura MT7 4-piston hydro disc, 220/203mm Spider rotors
Brake Levers	Magura MT7 Trail HC hydro disc
Saddle	Fabric Scoop Shallow Elite, cro-mo rails
Seatpost	Cannondale DownLow Dropper, internal routing, 31.6, 100mm (S), 125mm (M), 150mm (L/XL)
Sizes	S, M, L, XL
Color 1	Mantis (MAT)
Extras	Lights - Supernova M99 Mini Pro

Moterra 2



C65200M

Frame	160mm travel, BallisTec Carbon Front Triangle, SmartForm C1 Alloy Swingarm, Proportional Response Tuned Suspension, removable downtube battery, alloy skid plate, Ai offset drivetrain, internal cable routing, 148x12mm thru-axle, post mount brake, tapered headtube
Fork	RockShox Lyrik Select Charger RC, 160mm, DebonAir, 15x110, tapered steerer, 51mm offset
Rear Shock	RockShox Deluxe Select + RT, DebonAir
Drive Unit	Bosch Performance Line CX 250W
Battery	Bosch PowerTube
Display	Bosch Purion
Charger	Bosch 4a
Rims	WTB ST i29 TCS, 32h, tubeless ready
Hubs	(F) Formula 15x110 (R) SRAM 746, 12x148
Spokes	DT Swiss Champion
Tires	(F) (F) Maxxis Minion DHF, 27.5/29 x 2.6", 3C compound, EXO+, tubeless ready (R) (R) Maxxis Minion DHR II, 27.5/29 x 2.6", 3C compound, EXO+, tubeless ready

Pedals	Not Included
Crank	Bosch Gen4 w/ custom Ai offset, 34T
Chain	SRAM NX Eagle, 12-speed
Rear Cogs	SRAM PG-1230, NX Eagle, 11-50, 12-speed
Rear Derailleur	SRAM GX Eagle
Shifters	SRAM NX Eagle, 12-speed
Handlebar	Cannondale 3 Riser, 6061 Alloy, 15mm rise, 8° sweep, 4° rise, 780mm
Grips	Fabric Funguy Locking Grips
Stem	Cannondale 3, 3D Forged 6061 Alloy, 1-1/8", 31.8, 0-degree
Headset	Integrated Sealed Bearing, Tapered
Brakes	Magura MT5 4-piston hydro disc, 220/203mm Spider rotors
Brake Levers	Magura MT5 Trail HC hydro disc
Saddle	Fabric Scoop Shallow Sport, steel rails
Seatpost	Cannondale DownLow Dropper, internal routing, 31.6, 100mm (S), 125mm (M), 150mm (L/XL)
Sizes	S, M, L, XL
Color 1	Acid Red (ARD)

Moterra SE



C65120M

Frame	160mm travel, BallisTec Carbon Front Triangle, SmartForm C1 Alloy Swingarm, Proportional Response Tuned Suspension, removable downtube battery, alloy skid plate, Ai offset drivetrain, internal cable routing, 148x12mm thru-axle, post mount brake, tapered headtube
Fork	RockShox Boxxer Select Charger RC, 180mm, DebonAir, 20x110, 56mm offset
Rear Shock	RockShox Super Deluxe Select, custom tuned
Drive Unit	Bosch Performance Line CX 250W
Battery	Bosch PowerTube
Display	Bosch Purion
Charger	Bosch 4a
Rims	Stan's NoTubes Flow S1, 32h, tubeless ready
Hubs	(F) Formula DHL-93 20X110 (R) SRAM 746, 12x148
Spokes	DT Swiss Champion
Tires	Maxxis Assegai, 27.5/29 x 2.5", Dual compound, EXO puncture protection, tubeless ready
Pedals	Not Included

Crank	Bosch Gen4 w/ custom Ai offset, 34T
Chain	SRAM NX Eagle, 12-speed
Rear Cogs	SRAM PG-1230, NX Eagle, 11-50, 12-speed
Rear Derailleur	SRAM GX Eagle
Shifters	SRAM NX Eagle, 12-speed
Handlebar	Cannondale 3 Riser, 6061 Alloy, 15mm rise, 8° sweep, 4° rise, 780mm
Grips	Fabric Funguy Locking Grips
Stem	Cannondale 3, 3D Forged 6061 Alloy, 1-1/8", 31.8, 0-degree
Headset	Integrated Sealed Bearing, Tapered
Brakes	SRAM Code R hydro disc, 4-piston, 220/200mm Centerline rotors
Brake Levers	SRAM Code R hydro disc
Saddle	Fabric Scoop Shallow Sport, steel rails
Seatpost	Cannondale DownLow Dropper, internal routing, 31.6, 100mm (S), 125mm (M), 150mm (L/XL)
Sizes	S, M, L, XL
Color 1	Emerald (EMR)

Moterra 3



C65300M

Frame	160mm travel, BallisTec Carbon Front Triangle, SmartForm C1 Alloy Swingarm, Proportional Response Tuned Suspension, removable downtube battery, alloy skid plate, Ai offset drivetrain, internal cable routing, 148x12mm thru-axle, post mount brake, tapered headtube
Fork	RockShox 35 Gold RL, 160mm, DebonAir, 15x110, tapered steerer, 51mm offset
Rear Shock	RockShox Deluxe Select R, DebonAir
Drive Unit	Bosch Performance Line CX 250W
Battery	Bosch PowerTube 500Wh
Display	Bosch Purion
Charger	Bosch 4A
Rims	WTB ST i29 TCS, 32h, tubeless ready
Hubs	(F) Formula 15x110 (R) Formula DC-1248, 12x148
Spokes	DT Swiss Champion
Tires	(F) (F) Maxxis Minion DHF, 27.5/29 x 2.6", 3C compound, EXO+, tubeless ready (R) (R) Maxxis Minion DHR II, 27.5/29 x 2.6", 3C compound, EXO+, tubeless ready
Pedals	Not Included

Crank	Bosch Gen4 w/ custom Ai offset, 34T
Chain	SRAM SX Eagle, 12-speed
Rear Cogs	SRAM PG-1210, SX Eagle, 11-50, 12-speed
Rear Derailleur	SRAM SX Eagle
Shifters	SRAM SX Eagle, 12-speed
Handlebar	Cannondale 3 Riser, 6061 Alloy, 15mm rise, 8° sweep, 4° rise, 780mm
Grips	Fabric Funguy Locking Grips
Stem	Cannondale 3, 3D Forged 6061 Alloy, 1-1/8", 31.8, 0-degree
Headset	Integrated Sealed Bearing, Tapered
Brakes	SRAM Guide RE hydro disc, 4-piston, 220/200mm Centerline rotors
Brake Levers	SRAM Guide RE hydro disc
Saddle	Fabric Scoop Shallow Sport, steel rails
Seatpost	TranzX dropper, internal routing, 31.6, 80mm (XS), 100mm (S), 120mm (M), 130mm (L-XL)
Sizes	S, M, L, XL
Color 1	Turquoise (TRQ)

Moterra 3



C65300M

Frame	160mm travel, BallisTec Carbon Front Triangle, SmartForm C1 Alloy Swingarm, Proportional Response Tuned Suspension, removable downtube battery, alloy skid plate, Ai offset drivetrain, internal cable routing, 148x12mm thru-axle, post mount brake, tapered headtube	Crank	Bosch Gen4 w/ custom Ai offset, 34T
Fork	RockShox 35 Gold RL, 160mm, DebonAir, 15x110, tapered steerer, 51mm offset	Chain	SRAM SX Eagle, 12-speed
Rear Shock	RockShox Deluxe Select R, DebonAir	Rear Cogs	SRAM PG-1210, SX Eagle, 11-50, 12-speed
Drive Unit	Bosch Performance Line CX 250W	Rear Derailleur	SRAM SX Eagle
Battery	Bosch PowerTube 500Wh	Shifters	SRAM SX Eagle, 12-speed
Display	Bosch Purion	Handlebar	Cannondale 3 Riser, 6061 Alloy, 15mm rise, 8° sweep, 4° rise, 780mm
Charger	Bosch 4a	Grips	Cannondale Locking Grips
Rims	WTB ST i29 TCS, 32h, tubeless ready	Stem	Cannondale 3, 3D Forged 6061 Alloy, 1-1/8", 31.8, 0-degree
Hubs	(F) Formula 15x110 (R) Formula DC-1248, 12x148	Headset	Integrated Sealed Bearing, Tapered
Spokes	DT Swiss Champion	Brakes	SRAM Guide RE hydro disc, 4-piston, 220/200mm Centerline rotors
Tires	(F) (F) Maxxis Minion DHF, 27.5/29 x 2.6", 3C compound, EXO+, tubeless ready (R) (R) Maxxis Minion DHR II, 27.5/29 x 2.6", 3C compound, EXO+, tubeless ready	Brake Levers	SRAM Guide RE hydro disc
Pedals	Not Included	Saddle	Fabric Scoop Shallow Sport, steel rails
		Seatpost	TranzX dropper, internal routing, 31.6, 80mm (XS), 100mm (S), 120mm (M), 130mm (L-XL)
		Sizes	S, M, L, XL
		Color 1	BBQ (BBQ)
		Color 2	Turquoise (TRQ)



An E-mountain bike with its priorities straight: progressive design, playful agility and killer capability – all in the name of fun.

Key Benefits

▫ Flow Seeker

The head angle is slack, the stays are short and the seat angle is steep. The drive unit and battery sit low and central in the frame. All to help you wring more flow from every inch of trail.

▫ One Size Doesn't Fit All

Riders come in all sizes. Proportional Response is the only design that addresses this fact, tailoring the suspension layout by size so that every rider gets optimal traction, suppleness and control.

▫ The Right Stuff

Powerful Bosch Performance CX drive unit and PowerTube battery. 29" wheels with grippy tires. Properly wide bars and properly short stems. Dropper posts. Big brakes. Real parts for real performance.

Category

E-Bike | E-Mountain

Sizes

S, M, L, XL

Wheel / Tire Size

29" x2.25"

Travel

(F) 140mm (R) 130mm

Habit Neo 1



C65150M

Frame	130mm travel, BallisTec Carbon Front Triangle, SmartForm C1 Alloy Swingarm, Proportional Response Tuned Suspension, removeable downtube battery, alloy skid plate, Ai offset drivetrain, internal cable routing, 148x12mm thru-axle, post mount brake, tapered headtube	Chain	SRAM NX Eagle, 12-speed
Fork	RockShox Pike Select + RC, 140mm, DebonAir, 15x110mm tapered steerer, 51mm offset	Rear Cogs	SRAM PG-1230, NX Eagle, 11-50, 12-speed
Rear Shock	RockShox Deluxe Ultimate RT, DebonAir	Rear Derailleur	SRAM X01 Eagle
Drive Unit	Bosch Performance Line CX 250W	Shifters	SRAM GX Eagle, 12-speed
Battery	Bosch PowerTube	Handlebar	Cannondale 1 Riser, Carbon, 15mm rise, 9° sweep, 4° rise, 780mm
Display	Bosch Purion	Grips	Fabric Funguy Locking Grips
Charger	Bosch 4a	Stem	Cannondale 1, 3D Forged 6061 Alloy, 1-1/8", 31.8, 7°
Rims	Stan's NoTubes Flow MK3, 32h, tubeless ready	Headset	Integrated Sealed Bearing, Tapered
Hubs	(F) Formula DC-511, 15x100 (R) SRAM 746, 12x148	Brakes	Magura MT7 Trail hydro disc, (F) 4-piston / (R) 2-piston, 220/203mm Spider rotors
Spokes	DT Swiss Champion	Brake Levers	Magura MT7 Trail HC hydro disc
Tires	Maxxis Rekon, 29 x 2.6", 3C compound, EXO, tubeless ready	Saddle	Fabric Scoop Shallow Elite, cro-mo rails
Pedals	Not Included	Seatpost	Cannondale DownLow Dropper Post, internal routing, 31.6, 100mm (S), 125mm (M), 150mm (L-XL)
Crank	Bosch Gen4 w/ custom Ai offset, 34T	Sizes	S, M, L, XL
		Color 1	Black Pearl (BPL)
		Extras	Lights - Supernova M99 Mini Pro

Habit Neo 2



C65250M

Frame	130mm travel, BallisTec Carbon Front Triangle, SmartForm C1 Alloy Swingarm, Proportional Response Tuned Suspension, removeable downtube battery, alloy skid plate, Ai offset drivetrain, internal cable routing, 148x12mm thru-axle, post mount brake, tapered headtube	Chain	SRAM NX Eagle, 12-speed
Fork	RockShox 35 Gold RL, 140mm, DebonAir, 15x110, tapered steerer, 51mm offset	Rear Cogs	SRAM PG-1230, NX Eagle, 11-50, 12-speed
Rear Shock	RockShox Deluxe Select+ RT, DebonAir	Rear Derailleur	SRAM GX Eagle
Drive Unit	Bosch Performance Line CX 250W	Shifters	SRAM NX Eagle, 12-speed
Battery	Bosch PowerTube	Handlebar	Cannondale 3 Riser, 6061 Alloy, 15mm rise, 8° sweep, 4° rise, 780mm
Display	Bosch Purion	Grips	Cannondale Locking Grips
Charger	Bosch 4a	Stem	Cannondale 1, 3D Forged 6061 Alloy, 1-1/8", 31.8, 7°
Rims	Stan's NoTubes Flow S1, 32h, tubeless ready	Headset	Integrated Sealed Bearing, Tapered
Hubs	(F) Formula DC-511, 15x100 (R) SRAM 746, 12x148	Brakes	Magura MT5 Trail hydro disc, (F) 4-piston / (R) 2-piston, 220/203mm Spider rotors
Spokes	DT Swiss Champion	Brake Levers	Magura MT5 Trail HC hydro disc
Tires	Maxxis Rekon, 29 x 2.6", 3C compound, EXO, tubeless ready	Saddle	Fabric Scoop Shallow Elite, cro-mo rails
Pedals	Not Included	Seatpost	Cannondale DownLow Dropper, internal routing, 31.6, 100mm (S), 125mm (M), 150mm (L/XL)
Crank	Bosch Gen4 w/ custom Ai offset, 34T	Sizes	S, M, L, XL
		Color 1	Mantis (MAT)

Habit Neo 3



C65350M

Frame	130mm travel, BallisTec Carbon Front Triangle, SmartForm C1 Alloy Swingarm, Proportional Response Tuned Suspension, removeable downtube battery, alloy skid plate, Ai offset drivetrain, internal cable routing, 148x12mm thru-axle, post mount brake, tapered headtube	Chain	SRAM SX Eagle, 12-speed
Fork	RockShox 35 Gold RL, 140mm, DebonAir, 15x110, tapered steerer, 51mm offset	Rear Cogs	SRAM PG-1210, SX Eagle, 11-50, 12-speed
Rear Shock	RockShox Deluxe Select R, DebonAir	Rear Derailleur	SRAM NX Eagle
Drive Unit	Bosch Performance Line CX 250W	Shifters	SRAM SX Eagle, 12-speed
Battery	Bosch PowerTube 500Wh	Handlebar	Cannondale 3 Riser, 6061 Alloy, 15mm rise, 8° sweep, 4° rise, 780mm
Display	Bosch Purion	Grips	Fabric Funguy Locking Grips
Charger	Bosch 4a	Stem	Cannondale 3, 3D Forged 6061 Alloy, 1-1/8", 31.8, 0-degree
Rims	WTB ST i29 TCS, 32h, tubeless ready	Headset	Integrated Sealed Bearing, Tapered
Hubs	(F) Formula DC-511, 15x100 (R) SRAM 746, 12x148	Brakes	Magura MT30 Trail hydro disc, 220/203mm Spider rotors
Spokes	DT Swiss Champion	Brake Levers	Magura MT30 Trail hydro disc
Tires	Maxxis Rekon, 29 x 2.6", 3C compound, EXO, tubeless ready	Saddle	Fabric Scoop Shallow Sport, steel rails
Pedals	Not Included	Seatpost	TranzX dropper, internal routing, 31.6, 80mm (XS), 100mm (S), 120mm (M), 130mm (L-XL)
Crank	Bosch Gen4 w/ custom Ai offset, 34T	Sizes	S, M, L, XL
		Color 1	Crush (CRU)
		Color 2	Gray (GRY)

Habit Neo 4



C65450M

Frame	130mm travel, BallisTec Carbon Front Triangle, SmartForm C1 Alloy Swingarm, Proportional Response Tuned Suspension, removeable downtube battery, alloy skid plate, Ai offset drivetrain, internal cable routing, 148x12mm thru-axle, post mount brake, tapered headtube	Chain	SRAM SX Eagle, 12-speed
Fork	RockShox Recon RL, 140mm, Solo Air, 15x110, tapered steerer, 51mm offset	Rear Cogs	SRAM PG-1210, SX Eagle, 11-50, 12-speed
Rear Shock	RockShox Deluxe Select R, DebonAir	Rear Derailleur	SRAM SX Eagle
Drive Unit	Bosch Performance Line CX 250W	Shifters	SRAM SX Eagle, 12-speed
Battery	Bosch PowerTube 500Wh	Handlebar	Cannondale 3 Riser, 6061 Alloy, 15mm rise, 8° sweep, 4° rise, 780mm
Display	Bosch Purion	Grips	Fabric Funguy Locking Grips
Charger	Bosch 4a	Stem	Cannondale 3, 3D Forged 6061 Alloy, 1-1/8", 31.8, 0-degree
Rims	WTB STX i29 TCS, 32h, tubeless ready	Headset	Integrated Sealed Bearing, Tapered
Hubs	(F) Formula DC-511, 15x100 (R) Formula DC-1248, 12x148	Brakes	SRAM Level T hydro disc, 200/200mm Centerline rotors
Spokes	DT Swiss Champion	Brake Levers	SRAM Level T hydro disc
Tires	Maxxis Rekon, 29 x 2.6", EXO, tubeless ready	Saddle	Fabric Scoop Shallow Sport, steel rails
Pedals	Not Included	Seatpost	TranzX dropper, internal routing, 31.6, 80mm (XS), 100mm (S), 120mm (M), 130mm (L-XL)
		Sizes	S, M, L, XL
		Color 1	Black (BLK)

ALL-NEW

Cujo NEO 130

Power Forward



A full-suspension e-bike with the power, traction and travel to make anything possible, and everything fun.

Key Benefits

- **Plus-Size Grins**
From climbs to corners, the plus-size 27.5x2.8" tires offer incredible traction and confidence. It's all grip, no slip.
- **Dialed Trail Handling**
Short chainstays, a long reach, and slack 67 degree head angle give you the agility to pop, and the stability to drop.
- **The Drive**
Shimano's most advanced, most powerful drive system, the Steps E8000, provides true mountain-bike performance with seamless assist, intuitive controls and an easy-to-read display.

Category

E-Bike | E-Mountain

Sizes

Men's - S, M, L, XL
Women's - S, M, L

Wheel / Tire Size

27.5 x2.8

Travel

130mm (F/R)

Cujo Neo 130



C61250M

Frame	130mm travel, SmartForm C2 Alloy, removable downtube battery, tapered headtube, 148x12mm thru-axle, alloy skid plate	Rear Cogs	Shimano HG500, 11-42, 10-speed
Fork	SR Suntour XCM34, 130mm, Coil, 15X110mm thru-axle	Rear Derailleur	Shimano Deore GS
Rear Shock	RockShox Deluxe R, DebonAir	Shifters	Shimano Deore, 10-speed
Drive Unit	Shimano STEPS DU-E8000 250W	Handlebar	Cannondale 3 Riser, 6061 Alloy, 15mm rise, 8° sweep, 4° rise, 780mm
Battery	Shimano STEPS BT-E8020, 504Wh	Grips	Cannondale Locking Grips
Display	Shimano STEPS SC-E8000	Stem	Cannondale 3, 3D Forged 6061 Alloy, 1-1/8", 31.8, 0°
Charger	Shimano STEPS EC-E6000	Headset	Integrated Sealed Bearing, Tapered
Rims	WTB STX i29 TCS, 32h, tubeless ready	Brakes	Shimano MT200 hydro disc, 180/180 RT30 rotors
Hubs	(F) Shimano MT400 15x110 (R) Shimano MT400 12x148	Brake Levers	Shimano MT200 hydro disc
Spokes	DT Swiss Champion	Saddle	Fabric Scoop Shallow Sport, steel rails
Tires	WTB Ranger Comp, 27.5 x 2.8", DNA Compound	Seatpost	Cannondale 3, 6061 Alloy, 31.6 x 350mm
Pedals	Not Included	Sizes	S, M, L, XL
Crank	Shimano FC-E8000, 165mm, X-Sync, 34t	Color 1	Graphite (GRA)
Chain	Shimano HG54, 10-speed	Color 2	Maroon (MRN)

Level Up



With beautifully crafted frames, progressive geometry, powerful Bosch assist and seriously dirt-ready components, Trail NEO hardtails are built to take your riding to the next level, from your first time off-road to your next big adventure.

Key Benefits

- **Perfectly Framed**
Light and lively, stiff and snappy on everything from serious singletrack to city streets, Trail's progressive frame and cleanly integrated Bosch drive unit showcase our unmatched aluminum expertise.
- **Confident Handling**
Short chainstays for agility and traction, a slack head angle for solid stability, and a battery and drive unit positioned as low and centrally as possible create a surprisingly nimble, yet steady feel.
- **Real Deal**
True mountain bike specs distinguish Trail NEO: powerful hydraulic brakes, wide handlebars and short stems. But it's versatile too, with pre-wired light cables and clever mounts for racks and fenders.

Category	Sizes	Wheel / Tire Size	Travel
E-Bike E-Mountain	S, M, L, XL	29" x2.4-2.5"	100mm (F)

Trail Neo 1



C61100M

Frame	SmartForm C1 Alloy, Dual Battery ready, removable downtube battery, SAVE, tapered headtube, internal cable routing, Ai offset drivetrain, 148x12mm thru-axle, post mount disc, KickFlip hidden kickstand mount, skid plate, rack/fender mounts
Fork	Lefty Ocho, 27.5/29", 100mm, Chamber Damper with cable lockout, OppO Spring System, tapered steerer, 50/55mm offset
Drive Unit	Bosch Performance Line CX 250W
Battery	Bosch PowerTube 500Wh
Display	Bosch Purion
Charger	Bosch 4a
Rims	WTB ST i25 TCS 2.0, 32h, tubeless ready
Hubs	(F) Lefty 60 (R) Formula DC-1248, 12x148
Spokes	DT Swiss Champion
Tires	Maxxis Ardent, 27.5/29 x 2.4", EXO, tubeless ready
Pedals	Cannondale Fitness
Crank	Bosch Gen4 w/ custom Ai offset, 34T

Chain	SRAM SX Eagle, 12-speed
Rear Cogs	SRAM PG-1210, SX Eagle, 11-50, 12-speed
Rear Derailleur	SRAM SX Eagle
Shifters	SRAM SX Eagle, 12-speed
Handlebar	Cannondale 3 Riser, 6061 Alloy, 15mm rise, 8° sweep, 4° rise, 780mm
Grips	Fabric Funguy Locking Grips
Stem	Cannondale 3, 3D Forged 6061 Alloy, 1-1/8", 31.8, 0-degree
Headset	Integrated Sealed Bearing, Tapered
Brakes	SRAM Level T hydro disc, 180/180mm Centerline rotors
Brake Levers	SRAM Level T hydro disc
Saddle	Cannondale Ergo XC
Seatpost	Cannondale 4, 6061 Alloy, 31.6 x 350mm
Sizes	S, M, L, XL
Color 1	Black (BLK)

Trail Neo 3



C61300M

Frame	SmartForm C2 Alloy, removable downtube battery, SAVE, tapered headtube, internal cable routing, 148x12mm thru-axle, post mount disc, folding lock mount, rack/fender mounts, Si kickstand mount
Fork	SR Suntour XCM, 100mm, Coil, 46mm offset
Drive Unit	Bosch Active Line Plus 250W
Battery	Bosch PowerTube
Display	Bosch Purion
Charger	Bosch 4a
Rims	WTB STX i25 TCS, 32h, tubeless ready
Hubs	(F) Shimano QR (R) Shimano MT400 12x148
Spokes	DT Swiss Champion
Tires	Schwalbe Smart Sam, 29 x 2.5", ADDIX compound, tubeless ready
Pedals	Not Included
Crank	Bosch Gen3, 34T
Chain	Shimano HG93, 9-speed

Rear Cogs	Shimano, 11-36, 9-speed
Rear Derailleur	Shimano Alivio
Shifters	Shimano Acera, 9-speed
Handlebar	Cannondale 3 Riser, 6061 Alloy, 15mm rise, 8° sweep, 4° rise, 780mm
Grips	Fabric Funguy Locking Grips
Stem	Cannondale 3, 3D Forged 6061 Alloy, 1-1/8", 31.8, 0-degree
Headset	Integrated Sealed Bearing, Tapered
Brakes	Shimano MT200 hydro disc, 180/180mm RT10 rotors
Brake Levers	Shimano MT200 hydro disc
Saddle	Cannondale Ergo XC
Seatpost	Cannondale 4, 6061 Alloy, 31.6 x 350mm
Sizes	S, M, L, XL
Color 1	Stealth Grey (SGY)

Trail Neo 2



C61200M

Frame	SmartForm C1 Alloy, Dual Battery ready, removable downtube battery, SAVE, tapered headtube, internal cable routing, Ai offset drivetrain, 148x12mm thru-axle, flat mount disc, KickFlip hidden kickstand mount, skid plate, rack/fender mounts
Fork	RockShox Judy Silver TK, 100mm, Solo Air, 15x110, 51mm offset
Drive Unit	Bosch Performance Line CX 250W
Battery	Bosch PowerTube 500Wh
Display	Bosch Purion
Charger	Bosch 4a
Rims	WTB STX i25 TCS, 32h, tubeless ready
Hubs	(F) Shimano MT400 15x110 (R) Shimano MT400 12x148
Spokes	DT Swiss Champion
Tires	Schwalbe Smart Sam, 27.5/29 x 2.5", ADDIX compound, tubeless ready
Pedals	Cannondale Fitness
Crank	Bosch Gen4 w/ custom Ai offset, 34T

Chain	Shimano HG54, 10-speed
Rear Cogs	Shimano HG500, 11-42, 10-speed
Rear Derailleur	Shimano Deore GS
Shifters	Shimano Deore, 10-speed
Handlebar	Cannondale 3 Riser, 6061 Alloy, 15mm rise, 8° sweep, 4° rise, 780mm
Grips	Fabric Funguy Locking Grips
Stem	Cannondale 3, 3D Forged 6061 Alloy, 1-1/8", 31.8, 0-degree
Headset	Integrated Sealed Bearing, Tapered
Brakes	Shimano MT400 hydro disc, 180/180mm RT30 rotors
Brake Levers	Shimano MT400 hydro disc
Saddle	Cannondale Ergo XC
Seatpost	Cannondale 4, 6061 Alloy, 31.6 x 350mm
Sizes	S, M, L, XL
Color 1	Graphite (GRA)

Urban Rush



A stylish, rugged urban e-bike, built to turn rush hour into “what-a-rush!” hour.

Key Benefits

- **Comfort and Control**
With an upright but sporty riding position, and big, grippy, bump-erasing tires, all you need to worry about is enjoying the ride.
- **Ready to Roll**
Built for daily duty with integrated pannier rack and fenders, bright front and rear lights and weather-sealed battery cover.
- **Power and Range**
Durable, reliable Bosch drive unit and battery give you the speed you need, with the juice to go the distance.

Category

E-Bike | E-Urban

Sizes

Standard - S, M, L, XL
Remixie - S, M, L

Wheel / Tire Size

29" x2.35"

Canvas Neo 1



RENDERING

C64100M

Frame	SmartForm C1 Alloy, Dual Battery ready, removable downtube battery, SAVE, tapered headtube, internal cable routing, Ai offset drivetrain, 148x12mm thru-axle, post mount disc, KickFlip hidden kickstand mount
Fork	BallisTec Carbon, 1-1/8" to 1.5" tapered steerer, OutFront 55mm offset, post mount disc, 15x110mm thru-axle, hidden cable routing
Drive Unit	Bosch Performance Line CX 250W
Battery	Bosch PowerTube 500Wh
Display	Bosch Purion
Charger	Bosch 4a
Rims	WTB STX i29 TCS, 32h, tubeless ready
Hubs	(F) Shimano MT400 15x110 / (R) Shimano MT400 12x148
Spokes	DT Swiss Champion
Tires	Schwalbe G-One Speed Performance, 29 x 2.35", RaceGuard, tubeless ready
Pedals	Cannondale Fitness
Crank	Bosch Gen4 w/ custom Ai offset, 38T
Chain	Shimano HG54, 10-speed

Rear Cogs	Shimano HG500, 11-42, 10-speed
Rear Derailleur	Shimano Deore GS
Shifters	Shimano Deore, 10-speed
Handlebar	Cannondale 3 Riser, 6061 Alloy, 15mm rise, 8° sweep, 4° rise, 740mm
Grips	Cannondale Locking Grips
Stem	Cannondale 3, 3D Forged 6061 Alloy, 1-1/8", 31.8, 0-degree
Headset	Integrated, 1-1/8 to 1.5", sealed angular contact bearings (Integrated steer stop size small only)
Brakes	Shimano MT200 hydro disc, 180/180mm RT30 rotors
Brake Levers	Shimano MT200 hydro disc
Saddle	Cannondale Ergo Urban
Seatpost	6061 Alloy, 31.6 x 350mm
Sizes	S, M, L, XL
Color 1	Black Pearl (BPL)
Extras	Lights - Supernova Mini 2 front, Herrmans H-Trace Micro rear, Tubus Wingee fender and rack (8kg max capacity per side)

Canvas Neo 2



RENDERING

C64200M

Frame	SmartForm C2 Alloy, removable downtube battery, SAVE, tapered headtube, internal cable routing, 148x12mm thru-axle, post mount disc, Kickstand mount
Fork	BallisTec Carbon, 1-1/8" to 1.5" tapered steerer, OutFront 55mm offset, post mount disc, 15x110mm thru-axle, hidden cable routing
Drive Unit	Bosch Performance Line 250W
Battery	Bosch PowerTube 500Wh
Display	Bosch Purion
Charger	Bosch 4a
Rims	WTB STX i29 TCS, 32h, tubeless ready
Hubs	(F) Shimano MT400 15x110 / (R) Shimano MT400 12x148
Spokes	DT Swiss Champion
Tires	Schwalbe G-One Speed Performance, 29 x 2.35", RaceGuard, tubeless ready
Pedals	Cannondale Fitness
Crank	Bosch Gen3, 38T
Chain	Shimano HG93, 9-speed
Rear Cogs	Shimano HG200, 11-36, 9-speed

Rear Derailleur	Shimano Alivio
Shifters	Shimano Acera, 9-speed
Handlebar	Cannondale 3 Riser, 6061 Alloy, 15mm rise, 8° sweep, 4° rise, 740mm
Grips	Cannondale Locking Grips
Stem	Cannondale 3, 3D Forged 6061 Alloy, 1-1/8", 31.8, 0-degree
Headset	Integrated, 1-1/8 to 1.5", sealed angular contact bearings (Integrated steer stop size small only)
Brakes	Shimano MT200 hydro disc, 180/180mm RT10 rotors
Brake Levers	Shimano MT200 hydro disc
Saddle	Cannondale Ergo Urban
Seatpost	6061 Alloy, 31.6 x 350mm
Connectivity	Wheel Sensor
Sizes	S, M, L, XL
Color 1	Acid Red (ARD)
Extras	Lights - Herrmans H-Black MR4 front, H-Trace Mirco rear, Tubus Wingee fender and rack (8kg max capacity)

Canvas Neo Remixte 1



RENDERING

C64100F

Frame	Remixte Step-Thru, SmartForm C1 Alloy, removable downtube battery, SAVE, tapered headtube, internal cable routing, Ai offset drivetrain, 148x12mm thru-axle, post mount disc, KickFlip hidden kickstand mount
Fork	BallisTec Carbon, 1-1/8" to 1.5" tapered steerer, OutFront 55mm offset, post mount disc, 15x110mm thru-axle, hidden cable routing
Drive Unit	Bosch Performance Line CX 250W
Battery	Bosch PowerTube 500Wh
Display	Bosch Purion
Charger	Bosch 4a
Rims	WTB STX i29 TCS, 32h, tubeless ready
Hubs	(F) Shimano MT400 15x110 / (R) Shimano MT400 12x148
Spokes	DT Swiss Champion
Tires	Schwalbe G-One Speed Performance, 29 x 2.35", RaceGuard, tubeless ready
Pedals	Cannondale Fitness
Crank	Bosch Gen4 w/ custom Ai offset, 38T

Chain	Shimano HG54, 10-speed
Rear Cogs	Shimano HG500, 11-42, 10-speed
Rear Derailleur	Shimano Deore GS
Shifters	Shimano Deore, 10-speed
Handlebar	Cannondale 3, 6061 double-butted, 20mm rise, 9° back, 720mm
Grips	Cannondale Locking Grips
Stem	Cannondale 3, 3D Forged 6061 Alloy, 1-1/8", 31.8, 0-degree
Headset	Integrated, 1-1/8 to 1.5", sealed angular contact bearings (Integrated steer stop size small only)
Brakes	Shimano MT200 hydro disc, 180/180mm RT30 rotors
Brake Levers	Shimano MT200 hydro disc
Saddle	Cannondale Ergo Urban
Seatpost	6061 Alloy, 31.6 x 350mm
Sizes	S, M, L
Color 1	Black Pearl (BPL)
Extras	Lights - Supernova Mini 2 front, Herrmans H-Trace Micro rear, Tubus Wingee fender and rack (8kg max capacity per side)

Canvas Neo Remixte 2



RENDERING

C64200F

Frame	Remixte Step-Thru, SmartForm C2 Alloy, removable downtube battery, SAVE, tapered headtube, internal cable routing, 148x12mm thru-axle, post mount disc, Kickstand mount
Fork	BallisTec Carbon, 1-1/8" to 1.5" tapered steerer, OutFront 55mm offset, post mount disc, 15x110mm thru-axle, hidden cable routing
Drive Unit	Bosch Performance Line 250W
Battery	Bosch PowerTube 500Wh
Display	Bosch Purion
Charger	Bosch 4a
Rims	WTB STX i29 TCS, 32h, tubeless ready
Hubs	(F) Shimano MT400 15x110 / (R) Shimano MT400 12x148
Spokes	DT Swiss Champion
Tires	Schwalbe G-One Speed Performance, 29 x 2.35", RaceGuard, tubeless ready
Pedals	Cannondale Fitness
Crank	Bosch Gen3, 38T
Chain	Shimano HG93, 9-speed

Rear Cogs	Shimano HG200, 11-36, 9-speed
Rear Derailleur	Shimano Alivio
Shifters	Shimano Acera, 9-speed
Handlebar	Cannondale 3, 6061 double-butted, 20mm rise, 9° back, 720mm
Grips	Cannondale Locking Grips
Stem	Cannondale 3, 3D Forged 6061 Alloy, 1-1/8", 31.8, 0-degree
Headset	Integrated, 1-1/8 to 1.5", sealed angular contact bearings (Integrated steer stop size small only)
Brakes	Shimano MT200 hydro disc, 180/180mm RT10 rotors
Brake Levers	Shimano MT200 hydro disc
Saddle	Cannondale Ergo Urban
Seatpost	6061 Alloy, 31.6 x 350mm
Connectivity	Wheel Sensor
Sizes	S, M, L
Color 1	Acid Red (ARD)
Extras	Lights - Herrmans H-Black MR4 front, H-Trace Mirco rear, Tubus Wingee fender and rack (8kg max capacity)

Canvas Neo 2



C64250M

Frame	SmartForm C2 Alloy, removable downtube battery, SAVE, tapered headtube, internal cable routing, 148x12mm thru-axle, post mount disc, Kickstand mount	Rear Derailleur	Shimano Alivio
Fork	BallisTec Carbon, 1-1/8" to 1.5" tapered steerer, OutFront 55mm offset, post mount disc, 15x110mm thru-axle, hidden cable routing	Shifters	Shimano Acera, 9-speed
Drive Unit	Bosch Performance Line 250W	Handlebar	Cannondale 3 Riser, 6061 Alloy, 15mm rise, 8° sweep, 4° rise, 740mm
Battery	Bosch PowerTube 500Wh	Grips	Cannondale Locking Grips
Display	Bosch Purion	Stem	Cannondale 3, 3D Forged 6061 Alloy, 1-1/8", 31.8, 0-degree
Charger	Bosch 4a	Headset	Integrated, 1-1/8 to 1.5", sealed angular contact bearings (Integrated steer stop size small only)
Rims	WTB STX i29 TCS, 32h, tubeless ready	Brakes	Shimano MT200 hydro disc, 180/180mm RT10 rotors
Hubs	(F) Shimano MT400 15x110 / (R) Shimano MT400 12x148	Brake Levers	Shimano MT200 hydro disc
Spokes	DT Swiss Champion	Saddle	Cannondale Ergo Urban
Tires	Schwalbe G-One Speed Performance, 29 x 2.35", RaceGuard, tubeless ready	Seatpost	6061 Alloy, 31.6 x 350mm
Pedals	Cannondale Fitness	Connectivity	Wheel Sensor
Crank	Bosch Gen3, 34T	Sizes	S, M, L, XL
Chain	Shimano HG93, 9-speed	Color 1	SGG (SGG)
Rear Cogs	Shimano HG200, 11-36, 9-speed	Extras	Lights - Herrmans H-Black MR4 front, H-Trace Mirco rear, Tubus Wingee fender and rack (8kg max capacity)

Canvas Neo Remixte 2



C64270U

Frame	Remixte Step-Thru, SmartForm C2 Alloy, removable downtube battery, SAVE, tapered headtube, internal cable routing, 148x12mm thru-axle, post mount disc, Kickstand mount	Rear Cogs	Shimano HG200, 11-36, 9-speed
Fork	BallisTec Carbon, 1-1/8" to 1.5" tapered steerer, OutFront 55mm offset, post mount disc, 15x110mm thru-axle, hidden cable routing	Rear Derailleur	Shimano Alivio
Drive Unit	Bosch Performance Line 250W	Shifters	Shimano Acera, 9-speed
Battery	Bosch PowerTube 500Wh	Handlebar	Cannondale 3, 6061 double-buttend, 20mm rise, 9° back, 720mm
Display	Bosch Purion	Grips	Cannondale Locking Grips
Charger	Bosch 4a	Stem	Cannondale 3, 3D Forged 6061 Alloy, 1-1/8", 31.8, 0-degree
Rims	WTB STX i29 TCS, 32h, tubeless ready	Headset	Integrated, 1-1/8 to 1.5", sealed angular contact bearings (Integrated steer stop size small only)
Hubs	(F) Shimano MT400 15x110 / (R) Shimano MT400 12x148	Brakes	Shimano MT200 hydro disc, 180/180mm RT10 rotors
Spokes	DT Swiss Champion	Brake Levers	Shimano MT200 hydro disc
Tires	Schwalbe G-One Speed Performance, 29 x 2.35", RaceGuard, tubeless ready	Saddle	Cannondale Ergo Urban
Pedals	Cannondale Fitness	Seatpost	6061 Alloy, 31.6 x 350mm
Crank	Bosch Gen3, 34T	Connectivity	Wheel Sensor
Chain	Shimano HG93, 9-speed	Sizes	S, M, L
		Color 1	Sage Gray (SGG)
		Extras	Lights - Herrmans H-Black MR4 front, H-Trace Mirco rear, Tubus Wingee fender and rack (8kg max capacity)

Tesoro NEO X

Go Wild



This on-road/off-road e-bike is a fully loaded trekking machine. Get out of the rat-race and into the wilderness.

Key Benefits

- **Off-Road Ready**
Tesoro NEO X lives to be pointed off pavement. For bikepacking, backroad trekking or rugged transport, its MTB-inspired frame & fork and big 29" wheels let you get in deeper and go further.
- **Loaded for Adventure**
Secure, rattle-free fenders and a full rear rack, bright front and rear lights, and even a kickstand mean you're ready to tackle any adventure.
- **Comfortably in Control**
Potholes? Gravel? Tram tracks? No worries. All the features that make Tesoro NEO X so capable off-road translate into a supremely comfortable, confident experience on-road.

Category

E-Bike | E-Urban

Sizes

S, M, L, XL

Wheel / Tire Size

29" x2.25"

Travel

100mm (F)

Tesoro Neo X 1



C66100M

Frame	SmartForm C1 Alloy, Dual Battery ready, removable downtube battery, SAVE, tapered headtube, internal cable routing, Ai offset drivetrain, 148x12mm thru-axle, post mount disc, KickFlip hidden kickstand mount	Rear Cogs	Shimano SLX
Fork	SR Suntour Raidon 34, 100mm, 15x110, 46mm offset	Rear Derailleur	Shimano SLX
Drive Unit	Bosch Performance Line CX 250W	Shifters	Shimano SLX
Battery	Bosch PowerTube 500Wh	Handlebar	Cannondale 3 Riser, 6061 Alloy, 15mm rise, 8° sweep, 4° rise, 740mm
Display	Bosch Kiox	Grips	Cannondale Ergo Performance, Lock-On
Charger	Bosch 4a	Stem	Cannondale Adjustable, A-headset, 31.8mm
Rims	WTB STX i29 TCS, 32h, tubeless ready	Headset	Integrated Sealed Bearing, Tapered
Hubs	(F) Shimano MT400 15x110 / (R) Shimano MT510, 12x148	Brakes	Shimano MT200 hydro disc, 180/180mm RT30 rotors
Spokes	DT Swiss Champion	Brake Levers	Shimano MT200 hydro disc
Tires	Schwalbe G-One Allround Performance, 29 x 2.25", RaceGuard, tubeless ready	Saddle	Cannondale Ergo Touring
Pedals	Cannondale Fitness	Seatpost	Cannondale 3, 6061 Alloy, 31.6 x 350mm
Crank	Bosch Gen4 w/ custom Ai offset, 38T	Sizes	S, M, L, XL
Chain	KMC	Color 1	Mantis (MAT)
		Extras	Lights - Supernova V521S front / Herrmans H-Trace Mirco back, Tubus Wingee Fenders, Tubus Rear Rack (25kg max capacity)

Tesoro Neo X 2



C66200M

Frame	SmartForm C1 Alloy, Dual Battery ready, removable downtube battery, SAVE, tapered headtube, internal cable routing, Ai offset drivetrain, 148x12mm thru-axle, post mount disc, KickFlip hidden kickstand mount	Rear Cogs	Shimano HG500, 11-42, 10-speed
Fork	SR Suntour XCM 34 Boost, 100mm, Coil, 46mm offset	Rear Derailleur	Shimano Deore GS
Drive Unit	Bosch Performance Line CX 250W	Shifters	Shimano Deore, 10-speed
Battery	Bosch PowerTube 500Wh	Handlebar	Cannondale 3 Riser, 6061 Alloy, 15mm rise, 8° sweep, 4° rise, 740mm
Display	Bosch Purion	Grips	Cannondale Ergo Performance, Lock-On
Charger	Bosch 4a	Stem	Cannondale Adjustable, A-headset, 31.8mm
Rims	WTB STX i29 TCS, 32h, tubeless ready	Headset	Integrated Sealed Bearing, Tapered
Hubs	(F) Shimano MT400 15x110 / (R) Shimano MT400 12x148	Brakes	Shimano MT200 hydro disc, 180/180mm RT30 rotors
Spokes	DT Swiss Champion	Brake Levers	Shimano MT200 hydro disc
Tires	Schwalbe G-One Allround Performance, 29 x 2.25", RaceGuard, tubeless ready	Saddle	Cannondale Ergo Touring
Pedals	Cannondale Fitness	Seatpost	Cannondale 4, 6061 Alloy, 31.6 x 350mm
Crank	Bosch Gen4 w/ custom Ai offset, 38T	Connectivity	Wheel Sensor
Chain	Shimano HG54, 10-speed	Sizes	S, M, L, XL
		Color 1	Graphite (GRA)
		Extras	Lights - Herrmans H-Black MR4 front, H-Trace Mirco rear, Tubus Wingee Fender, Tubus rear rack (25kg max capacity)

Tesoro Neo X 1 Remixte



C66100F

Frame	Remixte Step-Thru, SmartForm C1 Alloy, removable downtube battery, SAVE, tapered headtube, internal cable routing, Ai offset drivetrain, 148x12mm thru-axle, post mount disc, KickFlip hidden kickstand mount	Chain	KMC
Fork	SR Suntour Raidon 34, 100mm, 15x110, 46mm offset	Rear Cogs	Shimano SLX
Drive Unit	Bosch Performance Line CX 250W	Rear Derailleur	Shimano SLX
Battery	Bosch PowerTube 500Wh	Shifters	Shimano SLX
Display	Bosch Kiox	Handlebar	Cannondale 3, 6061 double-butted, 20mm rise, 9° back, 720mm
Charger	Bosch 4a	Grips	Cannondale Ergo Performance, Lock-On
Rims	WTB STX i29 TCS, 32h, tubeless ready	Stem	Cannondale Adjustable, A-headset, 31.8mm
Hubs	(F) Shimano MT400 15x110 / (R) Shimano MT510, 12x148	Headset	Integrated Sealed Bearing, Tapered
Spokes	DT Swiss Champion	Brakes	Shimano MT200 hydro disc, 180/180mm RT30 rotors
Tires	Schwalbe G-One Allround Performance, 29 x 2.25", RaceGuard, tubeless ready	Brake Levers	Shimano MT200 hydro disc
Pedals	Cannondale Fitness	Saddle	Cannondale Ergo Touring
Crank	Bosch Gen4 w/ custom Ai offset, 38T	Seatpost	Cannondale 3, 6061 Alloy, 31.6 x 350mm
		Sizes	S, M, L
		Color 1	Meteor Gray (MTG)
		Extras	Lights - Supernova V521S front / Herrmans H-Trace Mirco back, Tubus Wingee Fenders, Tubus Rear Rack (25kg max capacity)

Tesoro Neo X 2 Remixte



C66200F

Frame	Remixte Step-Thru, SmartForm C1 Alloy, removable downtube battery, SAVE, tapered headtube, internal cable routing, Ai offset drivetrain, 148x12mm thru-axle, post mount disc, KickFlip hidden kickstand mount	Rear Cogs	Shimano HG500, 11-42, 10-speed
Fork	SR Suntour XCM 34 Boost, 100mm, Coil, 46mm offset	Rear Derailleur	Shimano Deore GS
Drive Unit	Bosch Performance Line CX 250W	Shifters	Shimano Deore, 10-speed
Battery	Bosch PowerTube 500Wh	Handlebar	Cannondale 3, 6061 double-butted, 20mm rise, 9° back, 720mm
Display	Bosch Purion	Grips	Cannondale Ergo Performance, Lock-On
Charger	Bosch 4a	Stem	Cannondale Adjustable, A-headset, 31.8mm
Rims	WTB STX i29 TCS, 32h, tubeless ready	Headset	Integrated Sealed Bearing, Tapered
Hubs	(F) Shimano MT400 15x110 / (R) Shimano MT400 12x148	Brakes	Shimano MT200 hydro disc, 180/180mm RT30 rotors
Spokes	DT Swiss Champion	Brake Levers	Shimano MT200 hydro disc
Tires	Schwalbe G-One Allround Performance, 29 x 2.25", RaceGuard, tubeless ready	Saddle	Cannondale Ergo Touring
Pedals	Cannondale Fitness	Seatpost	Cannondale 4, 6061 Alloy, 31.6 x 350mm
Crank	Bosch Gen4 w/ custom Ai offset, 38T	Connectivity	Wheel Sensor
Chain	Shimano HG54, 10-speed	Sizes	S, M, L
		Color 1	Charcoal Gray (GRY)
		Extras	Lights - Herrmans H-Black MR4 front, H-Trace Mirco rear, Tubus Wingee Fender, Tubus rear rack (25kg max capacity)

Tesoro Neo X 3



C66300M

Frame	SmartForm C2 Alloy, removable downtube battery, SAVE, tapered headtube, internal cable routing, 148x12mm thru-axle, post mount disc, Si kickstand mount	Rear Derailleur	Shimano Alivio
Fork	SR Suntour XCM, 100mm, Coil, 46mm offset	Shifters	Shimano Acera, 9-speed
Drive Unit	Bosch Active Line Plus 250W	Handlebar	Cannondale 3 Riser, 6061 Alloy, 15mm rise, 8° sweep, 4° rise, 740mm
Battery	Bosch PowerTube 500Wh	Grips	Cannondale Ergo Fitness Dual Density, Lock-on
Display	Bosch Purion	Stem	Cannondale Adjustable, A-headset, 31.8mm
Charger	Bosch 4a	Headset	Integrated Sealed Bearing, Tapered
Rims	WTB STX i29 TCS, 32h, tubeless ready	Brakes	Shimano MT200 hydro disc, 180/180mm RT10 rotors
Hubs	(F) Shimano QR / (R) Shimano MT400 12x148	Brake Levers	Shimano MT200 hydro disc
Spokes	DT Swiss Champion	Saddle	Cannondale Ergo Touring
Tires	Schwalbe G-One Allround Performance, 29 x 2.25", RaceGuard, tubeless ready	Seatpost	Cannondale 4, 6061 Alloy, 31.6 x 350mm
Pedals	Cannondale Platform	Connectivity	Wheel Sensor
Crank	Bosch Gen3, 38T	Sizes	S, M, L, XL
Chain	Shimano HG93, 9-speed	Color 1	Black Pearl (BPL)
Rear Cogs	Shimano, 11-36, 9-speed	Extras	Lights - Herrmans H-Black MR4 front, H-Trace Mirco rear, Tubus Wingee Fender, Tubus rear rack (25kg max capacity)

Tesoro Neo X 3 Remixte



C66370U

Frame	Remixte Step-Thru, SmartForm C2 Alloy, removable downtube battery, SAVE, tapered headtube, internal cable routing, 148x12mm thru-axle, post mount disc, Kickstand mount	Rear Cogs	Shimano, 11-36, 9-speed
Fork	SR Suntour XCM, 100mm, Coil, 46mm offset	Rear Derailleur	Shimano Alivio
Drive Unit	Bosch Active Line Plus 250W	Shifters	Shimano Acera, 9-speed
Battery	Bosch PowerTube 500Wh	Handlebar	Cannondale 3, 6061 double-buttet, 20mm rise, 9° back, 720mm
Display	Bosch Purion	Grips	Cannondale Ergo Fitness Dual Density, Lock-on
Charger	Bosch 4a	Stem	Cannondale Adjustable, A-headset, 31.8mm
Rims	WTB STX i29 TCS, 32h, tubeless ready	Headset	Integrated Sealed Bearing, Tapered
Hubs	(F) Shimano QR / (R) Shimano MT400 12x148	Brakes	Shimano MT200 hydro disc, 180/180mm RT10 rotors
Spokes	DT Swiss Champion	Brake Levers	Shimano MT200 hydro disc
Tires	Schwalbe G-One Allround Performance, 29 x 2.25", RaceGuard, tubeless ready	Saddle	Cannondale Ergo Touring
Pedals	Cannondale Platform	Seatpost	Cannondale 4, 6061 Alloy, 31.6 x 350mm
Crank	Bosch Gen3, 34T	Connectivity	Wheel Sensor
Chain	Shimano HG93, 9-speed	Sizes	S, M, L
		Color 1	Maroon (MRN)
		Extras	Lights - Herrmans H-Black MR4 front, H-Trace Mirco rear, Tubus Wingee Fender, Tubus rear rack (25kg max capacity)

Tesoro Neo X 3 Remixte



C66300F

Frame	Remixte Step-Thru, SmartForm C2 Alloy, removable downtube battery, SAVE, tapered headtube, internal cable routing, 148x12mm thru-axle, post mount disc, Kickstand mount	Rear Cogs	Shimano, 11-36, 9-speed
Fork	SR Suntour XCM, 100mm, Coil, 46mm offset	Rear Derailleur	Shimano Alivio
Drive Unit	Bosch Active Line Plus 250W	Shifters	Shimano Acera, 9-speed
Battery	Bosch PowerTube 500Wh	Handlebar	Cannondale 3, 6061 double-buttet, 20mm rise, 9° back, 720mm
Display	Bosch Purion	Grips	Cannondale Ergo Fitness Dual Density, Lock-on
Charger	Bosch 4a	Stem	Cannondale Adjustable, A-headset, 31.8mm
Rims	WTB STX i29 TCS, 32h, tubeless ready	Headset	Integrated Sealed Bearing, Tapered
Hubs	(F) Shimano QR / (R) Shimano MT400 12x148	Brakes	Shimano MT200 hydro disc, 180/180mm RT10 rotors
Spokes	DT Swiss Champion	Brake Levers	Shimano MT200 hydro disc
Tires	Schwalbe G-One Allround Performance, 29 x 2.25", RaceGuard, tubeless ready	Saddle	Cannondale Ergo Touring
Pedals	Cannondale Platform	Seatpost	Cannondale 4, 6061 Alloy, 31.6 x 350mm
Crank	Bosch Gen3, 38T	Connectivity	Wheel Sensor
Chain	Shimano HG93, 9-speed	Sizes	S, M, L
		Color 1	Maroon (MRN)
		Extras	Lights - Herrmans H-Black MR4 front, H-Trace Mirco rear, Tubus Wingee Fender, Tubus rear rack (25kg max capacity)

Tesoro NEO

Accelerate Your Life



An urban/trekking e-bike built to power up your morning commute, beat traffic at its own game, or load up and get away from it all.

Key Benefits

▫ Equipped for Action

A robust rear rack, fenders, lights, lock and kickstand mean Tesoro NEO is ready for anything from trips to the store to trips of a lifetime.

▫ Command Position

The Tesoro NEO's riding position is upright for visibility and comfort over the long haul, but forward enough for sportive efficiency.

▫ Easy Power

The Bosch Active Line Plus drive unit is smooth, powerful and silent, and the external battery is simple to remove for extra security and easy charging.

Category

E-Bike | E-Urban

Sizes

S, M, L, XL

Wheel / Tire Size

700c x38c

Travel

63mm (F)

Tesoro Neo



C66460M

Frame	Tesoro NEO, SmartForm C2 Alloy	Chain	KMC X9, 9-speed
Fork	SR Suntour NEX HLO E25 DS, 63mm, tapered steerer	Rear Cogs	Shimano HG200, 11-34, 9-speed
Drive Unit	Bosch Active Line Plus 250W	Rear Derailleur	Shimano Acera M3000
Battery	Bosch PowerPack 400Wh	Shifters	Shimano Altus M2000, 1×9
Display	Bosch Purion	Handlebar	Cannondale E-Series Alloy, backsweep, 660mm
Charger	Bosch 2A	Grips	Cannondale Ergo
Rims	Cannondale C2, Double wall	Stem	Cannondale C3, 6061 Alloy, 31.8, 7°, 100mm
Hubs	(F) Shimano HB-TX505, 100×9mm QR front (R) Shimano HB-TX505, 135×9mm QR	Headset	Tange Seiki integrated, 1-1/8 to 1.5"
Spokes	DT Swiss Champion	Brakes	Shimano MT200 hydro disc, 180/160mm RT10 rotors
Tires	(F) Schwalbe Little Big Ben, 700×38c, K-Guard puncture protection, reflective sidewalls (R) Schwalbe Little Big Ben, 700×38c, K-Guard puncture protection, reflective sidewalls	Brake Levers	Shimano MT200 hydro disc
Pedals	Cannondale Urban Pedal	Saddle	Cannondale Ergo Performance
Crank	FSA E-bike, 170mm, Gen3, 38t	Seatpost	Cannondale C3, 6061 Alloy, 31.6×300mm
		Sizes	50,56,62
		Color 1	Mantis (MAT)

Tesoro Neo Remixte



C66470U

Frame	Tesoro NEO, SmartForm C2 Alloy	Chain	KMC X9, 9-speed
Fork	SR Suntour NEX HLO E25 DS, 63mm, tapered steerer	Rear Cogs	Shimano HG200, 11-34, 9-speed
Drive Unit	Bosch Active Line Plus 250W	Rear Derailleur	Shimano Acera M3000
Battery	Bosch PowerPack 400Wh	Shifters	Shimano Altus M2000, 1×9
Display	Bosch Purion	Handlebar	Cannondale E-Series Alloy, backsweep, 660mm
Charger	Bosch 2A	Grips	Cannondale Ergo
Rims	Cannondale C2, Double wall	Stem	Cannondale C3, 6061 Alloy, 31.8, 7°, 100mm
Hubs	(F) Shimano HB-TX505, 100×9mm QR front (R) Shimano HB-TX505, 135×9mm QR	Headset	Tange Seiki integrated, 1-1/8 to 1.5"
Spokes	DT Swiss Champion	Brakes	Shimano MT200 hydro disc, 180/160mm RT10 rotors
Tires	(F) Schwalbe Little Big Ben, 700×38c, K-Guard puncture protection, reflective sidewalls (R) Schwalbe Little Big Ben, 700×38c, K-Guard puncture protection, reflective sidewalls	Brake Levers	Shimano MT200 hydro disc
Pedals	Cannondale Urban Pedal	Saddle	Cannondale Ergo Performance
Crank	FSA E-bike, 170mm, Gen3, 38t	Seatpost	Cannondale C3, 6061 Alloy, 31.6×300mm
		Sizes	47,52,58
		Color 1	Champagne (CHP)

Fast Fitness



Kick your workouts into high gear on this fast, agile and sporty machine. With its confident, nimble handling and elegantly integrated Bosch power, the new Quick NEO brings a new level of speedy excitement to every ride.

Key Benefits

Comfortably Fast

Quick NEO offers real road-bike speed, the upright comfort and control of flat handlebars, and the kind of handling that will have you scanning maps for the curviest roads.

Pure Power

The Bosch Generation 3 Active Line Plus is the perfect drive unit for sportive fitness riding. It's lightweight, silent and powerful, and has virtually no drag when the motor is off.

The Range to Roam

The big 500Wh PowerTube battery integrates cleanly into the downtube and packs enough energy for even the most ambitious days.

Confident Control

OutFront Geometry delivers high-speed stability with a quick, nimble road-bike feel. And as a bonus, it reduces the chance of toe overlap with the front wheel on smaller sizes.

Ready for Anything

A removable fender bridge, rack mounts and pre-wired cables for lights means the Quick NEO is ready for full commuter/urban mobility duties. It even has a kickstand. But if speedy commuting is what you're after, check out the fully equipped Quick NEO EQ.

Category

E-Bike | Fitness

Sizes

S, M, L, XL

Wheel / Tire Size

700 x35c

Travel

63mm (F)

Quick Neo EQ



C63100M

Frame	SmartForm C1 Alloy, SAVE, Ai, flat mount brake, 142x12 thru-axle
Fork	BallisTec Carbon, 1-1/8" to 1.5" tapered steerer, 55mm offset, flat mount, 12x100 thru axle
Drive Unit	Bosch Performance Line 250W
Battery	Bosch PowerTube 500Wh
Display	Bosch Purion
Charger	Bosch 4a
Rims	Cannondale 2, 32h, Double wall
Hubs	(F) Formula RX-512 12x100 / (R) Formula DC-142 12x142
Spokes	DT Swiss Champion
Tires	WTB Exposure TCS, 700 x 34c, Distance compound, tubeless ready
Pedals	Cannondale Urban Pedal
Crank	Bosch Gen3 w/ custom Ai offset spider, 38T
Chain	Shimano HG54, 10-speed

Rear Cogs	Shimano HG500, 11-42, 10-speed
Rear Derailleur	Shimano Deore GS
Shifters	Shimano Deore, 10-speed
Handlebar	Cannondale 3 Flat, 6061 double-butted Alloy, 8° sweep, 720mm
Grips	Cannondale Ergo Fitness Dual Density, Lock-on
Stem	Cannondale 3, 6061 Alloy, 31.8, 7°
Headset	Integrated, 1-1/8 to 1.5", sealed angular contact bearings
Brakes	Shimano MT200 hydro disc, 160/160mm RT26 rotors
Brake Levers	Shimano MT200 hydro disc
Saddle	Fabric Scoop Radius Sport, steel rails
Seatpost	Cannondale 3, 6061 Alloy, 25.4X350mm
Sizes	S, M, L, XL
Color 1	Graphite (GRA)
Extras	Lights - Supernova Mini 2 front / E3 Tail Light 2 rear, Tubus Wingee Fenders & Rear Rack

Quick Neo



C63200M

Frame	SmartForm C1 Alloy, SAVE, Ai, flat mount brake, 142x12 thru-axle
Fork	BallisTec Carbon, 1-1/8" to 1.5" tapered steerer, 55mm offset, flat mount, 12x100 thru axle
Drive Unit	Bosch Active Line Plus 250W
Battery	Bosch PowerTube
Display	Bosch Purion
Charger	Bosch 4a
Rims	Cannondale 2, 32h, Double wall
Hubs	(F) Formula RX-512 12x100 / (R) Formula DC-142 12x142
Spokes	DT Swiss Champion
Tires	Schwalbe G-One Allround Performance, 700 x 35c, RaceGuard, tubeless ready
Pedals	Cannondale Urban Pedal
Crank	Bosch Gen3 w/ custom Ai offset spider, 38T
Chain	Shimano HG93, 9-speed

Rear Cogs	Shimano HG200, 11-36, 9-speed
Rear Derailleur	Shimano Altus
Shifters	Shimano Altus, 9-speed
Handlebar	Cannondale 3 Flat, 6061 double-butted Alloy, 8° sweep, 720mm
Grips	Cannondale Ergo Fitness Dual Density, Lock-on
Stem	Cannondale 3, 6061 Alloy, 31.8, 7°
Headset	Integrated, 1-1/8 to 1.5", sealed angular contact bearings
Brakes	Shimano MT200 hydro disc, 160/160mm RT26 rotors
Brake Levers	Shimano MT200 hydro disc
Saddle	Fabric Scoop Radius Sport, steel rails
Seatpost	Cannondale 3, 6061 Alloy, 25.4X350mm
Connectivity	Wheel Sensor
Sizes	S, M, L, XL
Color 1	Emerald (EMR)
Extras	Cannondale Kickstand, prewired front and rear light cable

Quick Neo



C63200M

Frame	SmartForm C1 Alloy, SAVE, Ai, flat mount brake, 142x12 thru-axle
Fork	BallisTec Carbon, 1-1/8" to 1.5" tapered steerer, 55mm offset, flat mount, 12x100 thru axle
Drive Unit	Bosch Active Line Plus 250W
Battery	Bosch PowerTube
Display	Bosch Purion
Charger	Bosch 4a
Rims	Cannondale 2, 32h, Double wall
Hubs	(F) Formula RX-512 12x100 / (R) Formula DC-142 12x142
Spokes	DT Swiss Champion
Tires	Schwalbe G-One Allround Performance, 700 x 35c, RaceGuard, tubeless ready
Pedals	Cannondale Urban Pedal
Crank	Bosch Gen3 w/ custom Ai offset spider, 38T
Chain	Shimano HG93, 9-speed

Rear Cogs	Shimano HG200, 11-36, 9-speed
Rear Derailleur	Shimano Altus
Shifters	Shimano Altus, 9-speed
Handlebar	Cannondale 3 Flat, 6061 double-butted Alloy, 8° sweep, 720mm
Grips	Cannondale Ergo Fitness Dual Density, Lock-on
Stem	Cannondale 3, 6061 Alloy, 31.8, 7°
Headset	Integrated, 1-1/8 to 1.5", sealed angular contact bearings
Brakes	Shimano MT200 hydro disc, 160/160mm RT26 rotors
Brake Levers	Shimano MT200 hydro disc
Saddle	Fabric Scoop Radius Sport, steel rails
Seatpost	Cannondale 3, 6061 Alloy, 25.4X350mm
Connectivity	Wheel Sensor
Sizes	S, M, L, XL
Color 1	Emerald (EMR)
Extras	Cannondale Kickstand, prewired front and rear light cable

ALL-NEW

Quick NEO SL

Quick As You Like

A light, sporty e-bike that's perfect for getting a workout, city cruising or just getting out and feeling good.

Key Benefits

▫ Premier Performance

First and foremost, Quick NEO SL is quick. This bike is lightweight, nimble and comfortable, with fast tires, confident handling, and electric assist that's just right for darting around town.

▫ Comfortable & Capable

Comfort comes standard thanks to bump-absorbing SAVE micro-suspension, and a riding position that's upright for visibility and ease, yet forward enough for efficient speed.

▫ Versatility

A bike of all trades. Plenty of reflective accents and mounts for racks and fenders make Quick perfect for rides through the city, and it's sporty enough for harder riding to keep you healthy and fit.



Category

E-Bike | E-Urban

Sizes

Standard: S, M, L
Remixte: S, L

Wheel / Tire Size

700 x38c

Quick Neo SL 1



C63300M

Frame	Quick Neo SL
Fork	Quick Neo SL, Carbon
Drive Unit	MAHLE ebikemotion X35 250W
Battery	MAHLE ebikemotion X35 250Wh
Charger	MAHLE ebikemotion X35
Rims	Shining, 32 hole
Hubs	(F) Formula CRX-512, 12x100 (R) MAHLE ebikemotion X35 250W
Spokes	Stainless Steel, 14g
Tires	Schwalbe Energizer Plus, 700 x 38c, Green Guard, Addix-E compound
Pedals	Cannondale Urban Pedal
Crank	Prowheel, 42T
Bottom Bracket	Cartridge, square taper
Chain	KMC E10T, 10-speed

Rear Cogs	Shimano HG500, 11-42, 10-speed
Rear Derailleur	Shimano Deore
Shifters	Shimano XT, 10-speed
Handlebar	Cannondale Riser, 6061 Alloy, 18mm rise, 8° back, 4° up, 680mm
Grips	Cannondale Ergo Fitness Dual Density, Lock-on
Stem	Cannondale 3 with Intellimount, alloy, 31.8mm clamp, light mount
Headset	FSA Sealed Bearing, Integrated, 1-1/4"-1-1/8"
Brakes	Shimano MT201 hydro disc, 160/160mm RT26 rotors
Brake Levers	Shimano MT201 hydro disc
Saddle	Cannondale Fitness Ergo Double Density
Seatpost	6061 Alloy, 31.6 x 350mm
Connectivity	Wheel Sensor
Sizes	S, M, L
Color 1	Black Pearl (BPL)

Quick Neo SL 2



C63400M

Frame	Quick Neo SL
Fork	Quick Neo SL, Carbon
Drive Unit	MAHLE ebikemotion X35 250W
Battery	MAHLE ebikemotion X35 250Wh
Charger	MAHLE ebikemotion X35
Rims	Shining, 32 hole
Hubs	(F) Formula CRX-512, 12x100 (R) MAHLE ebikemotion X35 250W
Spokes	Stainless Steel, 14g
Tires	Schwalbe Energizer Plus, 700 x 38c, Green Guard, Addix-E compound
Pedals	Cannondale Urban Pedal
Crank	Prowheel alloy, 38T
Bottom Bracket	Cartridge, square taper
Chain	KMC E9T, 9-speed
Rear Cogs	Shimano HG201, 11-36, 9-speed

Front Derailleur	
Rear Derailleur	Shimano Altus
Shifters	Shimano Altus, 9-speed
Handlebar	Cannondale Riser, 6061 Alloy, 18mm rise, 8° back, 4° up, 680mm
Grips	Cannondale Ergo Fitness Dual Density, Lock-on
Stem	Cannondale 3 with Intellimount, alloy, 31.8mm clamp
Headset	FSA Sealed Bearing, Integrated, 1-1/4"-1-1/8"
Brakes	Shimano MT201 hydro disc, 160/160mm RT26 rotors
Brake Levers	Shimano MT201 hydro disc
Saddle	Cannondale Fitness Ergo Double Density
Seatpost	6061 Alloy, 31.6 x 350mm
Connectivity	Wheel Sensor
Sizes	S, M, L
Color 1	Sage Gray (SGG)
Extras	

Quick Neo SL 1 Remixte



C63300U

Frame	Quick Neo SL
Fork	Quick Neo SL, Carbon
Drive Unit	MAHLE ebikemotion X35 250W
Battery	MAHLE ebikemotion X35 250Wh
Charger	MAHLE ebikemotion X35
Rims	Shining, 32 hole
Hubs	(F) Formula CRX-512, 12x100 (R) MAHLE ebikemotion X35 250W
Spokes	Stainless Steel, 14g
Tires	Schwalbe Energizer Plus, 700 x 38c, Green Guard, Addix-E compound
Pedals	Cannondale Urban Pedal
Crank	Prowheel, 42T
Bottom Bracket	Cartridge, square taper
Chain	KMC E10T, 10-speed

Rear Cogs	Shimano HG500, 11-42, 10-speed
Rear Derailleur	Shimano Deore
Shifters	Shimano XT, 10-speed
Handlebar	Cannondale Riser, 6061 Alloy, 18mm rise, 8° back, 4° up, 680mm
Grips	Cannondale Ergo Fitness Dual Density, Lock-on
Stem	Cannondale 3 with Intellimount, alloy, 31.8mm clamp, light mount
Headset	FSA Sealed Bearing, Integrated, 1-1/4"-1-1/8"
Brakes	Shimano MT201 hydro disc, 160/160mm RT26 rotors
Brake Levers	Shimano MT201 hydro disc
Saddle	Cannondale Fitness Ergo Double Density
Seatpost	6061 Alloy, 31.6 x 350mm
Connectivity	Wheel Sensor
Sizes	S, L
Color 1	Champagne (CHP)

Quick Neo SL 2 Remixte



C63400U

Frame	Quick Neo SL
Fork	Quick Neo SL, Carbon
Drive Unit	MAHLE ebikemotion X35 250W
Battery	MAHLE ebikemotion X35 250Wh
Charger	MAHLE ebikemotion X35
Rims	Shining, 32 hole
Hubs	(F) Formula CRX-512, 12x100 (R) MAHLE ebikemotion X35 250W
Spokes	Stainless Steel, 14g
Tires	Schwalbe Energizer Plus, 700 x 38c, Green Guard, Addix-E compound
Pedals	Cannondale Urban Pedal
Crank	Prowheel alloy, 38T
Bottom Bracket	Cartridge, square taper
Chain	KMC E9T, 9-speed
Rear Cogs	Shimano HG201, 11-36, 9-speed

Front Derailleur	
Rear Derailleur	Shimano Altus
Shifters	Shimano Altus, 9-speed
Handlebar	Cannondale Riser, 6061 Alloy, 18mm rise, 8° back, 4° up, 680mm
Grips	Cannondale Ergo Fitness Dual Density, Lock-on
Stem	Cannondale 3 with Intellimount, alloy, 31.8mm clamp
Headset	FSA Sealed Bearing, Integrated, 1-1/4"-1-1/8"
Brakes	Shimano MT201 hydro disc, 160/160mm RT26 rotors
Brake Levers	Shimano MT201 hydro disc
Saddle	Cannondale Fitness Ergo Double Density
Seatpost	6061 Alloy, 31.6 x 350mm
Connectivity	Wheel Sensor
Sizes	S, L
Color 1	Turquoise (TRQ)

Ready When You Are



A comfortable, high-performance urban e-bike that make leisure rides and everyday errands effortless and fun.

Key Benefits

- **Reassuringly Precise**
Cannondale's aluminum construction expertise and peerless HeadShok fork give the Mavaro NEO a remarkably flex-free, solid feel. Precise handling and confident stability at any speed.
- **Carry That Load**
The welded rear rack eliminates flex for a secure feel even when fully loaded, and all forks feature convenient eyelets for front racks.
- **Reliable Power**
Equipped with reliable, powerful Bosch drive systems, a robust rear rack, custom fenders, bright lights, lock and kickstand, Mavaro NEO is ready for anything from weekday errands to weekend treks.

Category

E-Bike | E-Urban

Sizes

City: 45, 47, 52, 58cm
Men's: 51, 56, 62cm

Wheel / Tire Size

27.5 x2.0" (50-584)

Travel

50mm (F)

Mavaro Neo City 1



C64100U

Frame	Step-Thru, SmartForm C2 Alloy, Si Dropouts	Rear Cogs	Shimano HG500, 11-42, 10-speed
Fork	HeadShok DL50, 50mm, Isolated Damper Technology, OPI, 15x100 thru-axle	Rear Derailleur	Shimano Deore GS
Drive Unit	Bosch Performance Line 250W	Shifters	Shimano Deore, 10-speed
Battery	Bosch PowerPack 500Wh	Handlebar	Cannondale E-Series Alloy, ergo backsweep, 680mm
Display	Bosch Purion	Grips	Cannondale Ergo Performance, Lock-On
Charger	Bosch 4a	Stem	Cannondale Adjustable HeadShok
Rims	Cannondale 2, Double wall	Headset	Cannondale Headshok
Hubs	(F) Shimano 15x100 / (R) Shimano QR	Brakes	Shimano MT200 hydro disc, 180/160mm RT10 rotors
Spokes	DT Swiss Champion	Brake Levers	Shimano MT200 hydro disc
Tires	Schwalbe Big Ben, 27.5x2.0", K-Guard puncture protection, reflective sidewalls	Saddle	Selle Royal Ariel, steel rails
Pedals	Cannondale Fitness	Seatpost	Cannondale 3, 6061 Alloy, 31.6 x 300mm
Crank	Bosch Gen3, 38T	Sizes	S, M, L, XL
Chain	KMC X10, 10-speed	Color 1	Midnight (MDN)
		Extras	Lights - Herrmans H-Black MR4 front, Herrmans H-Trace Ebike rear, Tubus rear rack, Cannondale e-Series Fenders, Abus Proshield 5650 Framelock, Cannondale Kickstand

Mavaro Neo City 3



C64300U

Frame	Step-Thru, SmartForm C2 Alloy, Si Dropouts	Rear Cogs	Shimano HG500, 11-42, 10-speed
Fork	HeadShok DL50, 50mm, Isolated Damper Technology, OPI, 15x100 thru-axle	Rear Derailleur	Shimano Deore GS
Drive Unit	Bosch Active Line Plus 250W	Shifters	Shimano Deore, 10-speed
Battery	Bosch PowerPack 500Wh	Handlebar	Cannondale E-Series Alloy, ergo backsweep, 680mm
Display	Bosch Purion	Grips	Cannondale Ergo Performance, Lock-On
Charger	Bosch 4a	Stem	Cannondale Adjustable HeadShok
Rims	Cannondale 2, Double wall	Headset	Cannondale Headshok
Hubs	(F) Shimano 15x100 / (R) Shimano QR	Brakes	Shimano MT200 hydro disc, 180/160mm RT10 rotors
Spokes	DT Swiss Champion	Brake Levers	Shimano MT200 hydro disc
Tires	Schwalbe Big Ben, 27.5x2.0", K-Guard puncture protection, reflective sidewalls	Saddle	Selle Royal Ariel, steel rails
Pedals	Cannondale Fitness	Seatpost	Cannondale 3, 6061 Alloy, 31.6 x 300mm
Crank	Bosch Gen3, 38T	Sizes	S, M, L, XL
Chain	KMC X10, 10-speed	Color 1	Graphite (GRA)
		Extras	Lights - Herrmans H-Black MR4 front, Herrmans H-Trace Ebike rear, Tubus rear rack, Cannondale e-Series Fenders, Abus Proshield 5650 Framelock, Cannondale Kickstand

Mavaro Neo City 2



C64200U

Frame	Step-Thru, SmartForm C2 Alloy, Si Dropouts	Chain	KMC S1
Fork	HeadShok DL50, 50mm, Isolated Damper Technology, OPI, 15x100 thru-axle	Shifters	Shimano Alfine, 8-speed, extra sealed
Drive Unit	Bosch Performance Line 250W	Handlebar	Cannondale E-Series Alloy, ergo backsweep, 680mm
Battery	Bosch PowerPack 500Wh	Grips	Cannondale Ergo Performance, Lock-On
Display	Bosch Purion	Stem	Cannondale Adjustable HeadShok
Charger	Bosch 4a	Headset	Cannondale Headshok
Rims	Cannondale 2, Double wall	Brakes	Shimano MT200 hydro disc, 180/160mm RT10 rotors
Hubs	(F) Shimano 15x100 / (R) Shimano Nexus, 8-speed internal hub	Brake Levers	Shimano MT200 hydro disc
Spokes	DT Swiss Champion	Saddle	Selle Royal Ariel, steel rails
Tires	Schwalbe Big Ben, 27.5x2.0", K-Guard puncture protection, reflective sidewalls	Seatpost	Cannondale 3, 6061 Alloy, 31.6 x 300mm
Pedals	Cannondale Fitness	Sizes	S, M, L, XL
Crank	Bosch Gen3, 38T	Color 1	Black Pearl (BPL)
		Extras	Lights - Herrmans H-Black MR4 front, Herrmans H-Trace Ebike rear, Tubus rear rack, Cannondale e-Series Fenders, Abus Proshield 5650 Framelock, Cannondale Kickstand

Mavaro Neo City 4



C64400U

Frame	Step-Thru, SmartForm C2 Alloy, Si Dropouts	Rear Derailleur	Shimano Acera
Fork	SR Suntour NEX, 63mm, Coil with preload adjust	Shifters	Shimano Altus, 9-speed
Drive Unit	Bosch Active Line Plus 250W	Handlebar	Cannondale E-Series Alloy, ergo backsweep, 680mm
Battery	Bosch PowerTube 500Wh	Grips	Cannondale Ergo Performance, Lock-On
Display	Bosch Purion	Stem	Promax A-headset Adjustable, 31.8
Charger	Bosch 4a	Headset	Tange Seiki, Integrated, 1-1/8"-1-1/2"
Rims	Cannondale 2, Double wall	Brakes	Shimano MT200 hydro disc, 180/160mm RT10 rotors
Hubs	(F) Shimano QR / (R) Shimano QR	Brake Levers	Shimano MT200 hydro disc
Spokes	DT Swiss Champion	Saddle	Selle Royal Ariel, steel rails
Tires	Schwalbe Big Ben, 27.5x2.0", K-Guard puncture protection, reflective sidewalls	Seatpost	Cannondale 3, 6061 Alloy, 31.6 x 300mm
Pedals	Cannondale Fitness	Sizes	S, M, L, XL
Crank	Bosch Gen3, 38T	Color 1	Turquoise (TRQ)
Chain	KMC X9, 9-speed	Color 2	Gray (GRA)
Rear Cogs	Shimano HG200, 11-36, 9-speed	Extras	Lights - Herrmans H-Black MR4 front, Herrmans H-Trace Ebike rear, Tubus rear rack, Cannondale e-Series Fenders, Abus Proshield 5650 Framelock, Cannondale Kickstand

Mavaro Neo City 4



C64400U

Frame	Step-Thru, SmartForm C2 Alloy, Si Dropouts	Rear Derailleur	Shimano Acera
Fork	SR Suntour NEX, 63mm, Coil with preload adjust	Shifters	Shimano Altus, 9-speed
Drive Unit	Bosch Active Line Plus 250W	Handlebar	Cannondale E-Series Alloy, ergo backsweep, 680mm
Battery	Bosch PowerTube 500Wh	Grips	Cannondale Ergo Performance, Lock-On
Display	Bosch Purion	Stem	Promax A-headset Adjustable, 31.8
Charger	Bosch 4a	Headset	Tange Seiki, Integrated, 1-1/8"-1-1/2"
Rims	Cannondale 2, Double wall	Brakes	Shimano MT200 hydro disc, 180/160mm RT10 rotors
Hubs	(F) Shimano QR / (R) Shimano QR	Brake Levers	Shimano MT200 hydro disc
Spokes	DT Swiss Champion	Saddle	Selle Royal Ariel, steel rails
Tires	Schwalbe Big Ben, 27.5x2.0", K-Guard puncture protection, reflective sidewalls	Seatpost	Cannondale 3, 6061 Alloy, 31.6 x 300mm
Pedals	Cannondale Fitness	Sizes	S, M, L, XL
Crank	Bosch Gen3, 38T	Color 1	Graphite (GRA)
Chain	KMC X9, 9-speed	Extras	Lights - Herrmans H-Black MR4 front, Herrmans H-Trace Ebike rear, Tubus rear rack, Cannondale e-Series Fenders, Abus Proshield 5650 Framelock, Cannondale Kickstand
Rear Cogs	Shimano HG200, 11-36, 9-speed		

Mavaro Active City



C64550M

Frame	Cannondale Mavaro Si SmartForm C2 Alloy, Integrated Rack	Chain	Shimano HG54, 10-speed
Fork	HeadShok Fatty DL50 XL, 50mm, Isolated Damper Technology, OPI	Rear Cogs	Shimano HG50, 11-36, 10-speed
Drive Unit	Bosch Active Line Plus 250W	Rear Derailleur	Shimano Deore M6000
Battery	Bosch PowerPack 500Wh	Shifters	Shimano Deore M6000, 1x10
Display	Bosch Purion	Handlebar	Cannondale E-Series Alloy, ergo backsweep, 680mm
Charger	Bosch 4A	Grips	Cannondale Ergo
Rims	Cannondale C2, Double wall	Stem	Cannondale Adjustable HeadShok
Hubs	(F) Formula 15x110 (R) SRAM 746, 12x148	Headset	Cannondale HeadShok
Spokes	DT Swiss Champion	Brakes	Shimano M200 hydraulic disc, 180/160mm, RT10 rotors
Tires	(F) (F) Maxxis Minion DHF, 27.5/29 x 2.6", 3C compound, EXO+, tubeless ready (R) Maxxis Minion DHR II, 27.5/29 x 2.6", 3C compound, EXO+, tubeless ready	Brake Levers	Shimano M200 hydro disc
Pedals	Cannondale Urban Pedal	Saddle	Selle Royal Ariel
Crank	FSA E-bike, 170mm, 38t	Seatpost	Cannondale C3, 6061 Alloy, 27.2x300mm
		Sizes	52.57.62
		Color 1	Black Pearl (BPL)

Mavaro Active City Remixte



C64500U

Frame	Cannondale Mavaro Si City SmartForm C2 Alloy, Integrated Rack	Chain	Shimano HG54, 10-speed
Fork	HeadShok Fatty DL50 XL, 50mm, Isolated Damper Technology, OPI	Rear Cogs	Shimano HG50, 11-36, 10-speed
Drive Unit	Bosch Active Line Plus 250W	Rear Derailleur	Shimano Deore M6000
Battery	Bosch PowerPack 500Wh	Shifters	Shimano Deore M6000, 1x10
Display	Bosch Purion	Handlebar	Cannondale E-Series Alloy, ergo backsweep, 680mm
Charger	Bosch 4A	Grips	Cannondale Ergo
Rims	Cannondale C2, Double wall	Stem	Cannondale Adjustable HeadShok
Hubs	(F) Shimano HB-TX505, 100x9mm QR front (R) Shimano HB-TX505, 135x9mm QR	Headset	Cannondale HeadShok
Spokes	DT Swiss Champion	Brakes	Shimano M200 hydraulic disc, 180/160mm, RT10 rotors
Tires	(F) Schwalbe Little Big Ben, 28x1.5", K-Guard puncture protection, reflective sidewalls (R) Schwalbe Little Big Ben, 28x1.5", K-Guard puncture protection, reflective sidewalls	Brake Levers	Shimano M200 hydro disc
Pedals	Cannondale Urban Pedal	Saddle	Selle Royal Ariel
Crank	FSA E-bike, 170mm, 38t	Seatpost	Cannondale C3, 6061 Alloy, 27.2x300mm
		Sizes	44,47,53,58
		Color 1	Black Pearl (BPL)
		Color 2	Champagne (CHP)
		Color 3	Acid Red (ARD)

Mavaro Performance



Frame	Cannondale Mavaro Si, SmartForm C2 Alloy, Integrated Rack	Chain	Shimano HG54-10, 10-speed
Fork	HeadShok Fatty DL50 XL, 50mm, Isolated Damper Technology, OPI	Rear Cogs	Shimano HG50, 11-36, 10-speed
Drive Unit	Bosch Performance Cruise 250W	Rear Derailleur	Shimano Deore M6000
Battery	Bosch PowerPack 500Wh	Shifters	Shimano Deore M6000, 1x10
Display	Bosch Purion	Handlebar	Cannondale E-Series Alloy, ergo backsweep, 680mm
Charger	Bosch 4A	Grips	Cannondale Ergo
Rims	Cannondale C2, Double wall	Stem	Cannondale Adjustable HeadShok
Hubs	(F) Formula 15x110 (R) SRAM 746, 12x148	Headset	Cannondale HeadShok
Spokes	DT Swiss Champion	Brakes	Shimano M200 hydraulic disc, 180/160mm, RT10 rotors
Tires	(F) Maxxis Minion DHF, 27.5/29 x 2.6", 3C compound, EXO+, tubeless ready (R) Maxxis Minion DHR II, 27.5/29 x 2.6", 3C compound, EXO+, tubeless ready	Brake Levers	Shimano M200 hydro disc
Pedals	Cannondale Urban Pedal	Saddle	Selle Royal Ariel
Crank	FSA E-bike, 170mm, 38t	Seatpost	Cannondale C3, 6061 Alloy, 27.2x300mm
		Sizes	52,57,62
		Color 1	Graphite (GRA)

Mavaro Performance Remixte



Frame	Mavaro Si City Step-thru, SmartForm C2 Alloy, Integrated Rack	Chain	Shimano HG54-10, 10-speed
Fork	HeadShok Fatty DL50 XL, 50mm, Isolated Damper Technology, OPI	Rear Cogs	Shimano HG50, 11-36, 10-speed
Drive Unit	Bosch Performance Cruise 250W	Rear Derailleur	Shimano Deore M6000
Battery	Bosch PowerPack 500Wh	Shifters	Shimano Deore M6000, 1x10
Display	Bosch Purion	Handlebar	Cannondale E-Series Alloy, ergo backsweep, 680mm
Charger	Bosch 4A	Grips	Cannondale Ergo
Rims	Cannondale C2, Double wall	Stem	Cannondale Adjustable HeadShok
Hubs	(F) Formula 15x110 (R) SRAM 746, 12x148	Headset	Cannondale HeadShok
Spokes	DT Swiss Champion	Brakes	Shimano M200 hydraulic disc, 180/160mm, RT10 rotors
Tires	(F) Maxxis Minion DHF, 27.5/29 x 2.6", 3C compound, EXO+, tubeless ready (R) Maxxis Minion DHR II, 27.5/29 x 2.6", 3C compound, EXO+, tubeless ready	Brake Levers	Shimano M200 hydro disc
Pedals	Cannondale Urban Pedal	Saddle	Selle Royal Ariel
Crank	FSA E-bike, 170mm, 38t	Seatpost	Cannondale C3, 6061 Alloy, 27.2x300mm
		Sizes	44,48,53,58
		Color 1	Graphite (GRA)

Day In, Day Out



An e-bike for any day and anywhere. Fun and light to rip around the neighborhood for meet ups, running errands or Sunday fun days.

Key Benefits

- **More Fun Days**
It's comfy. It's playful. It's easy to get on and off, and even easier to ride. With a battery in the down tube and a motor in the rear hub, Treadwell NEO keeps the effort low and the fun level high.
- **Connected**
An integrated wheel sensor helps track your activity (like speed, distance and calories burned), registers your bike, reminds you of needed service and more, all through the free Cannondale App.
- **Nice and Light**
Practical doesn't have to mean vanilla. Not with this bike. Light and responsive, it bounds through the city and blasts through the boroughs with style.

Category

E-Bike | E-Urban

Sizes

Standard - S, M, L
Remixie - S, M, L

Wheel / Tire Size

650b x47c

Treadwell Neo



C63150M

Frame	All-New, SmartForm C3 Alloy, low standover Ride-Easy geometry, internal downtube battery, hidden cable routing, Urban Armor frame bumpers, flat mount disc, rack/fender mounts, kickstand mount	Chain	KMC E9T, 9-speed
Fork	All-New, SmartForm C3 Alloy blades, 1-1/8" steerer, OutFront offset, flat mount disc, mid-blade rack/fender mounts	Rear Cogs	Sunrace, 11-36, 9-speed
Drive Unit	MAHLE ebikemotion X35 250W	Rear Derailleur	Shimano Altus
Battery	MAHLE ebikemotion X35 250Wh	Shifters	Shimano Altus, 9-speed
Display	MAHLE ebikemotion iWok ONE	Handlebar	Cannondale Cruise Control riser, 6061 alloy, 31.8mm clamp, 15 degree backsweep, 740mm width
Charger	MAHLE ebikemotion X35	Grips	Cannondale Comfort
Rims	Shining, 32 hole	Stem	Cannondale 3 with Intellimount, alloy, 31.8mm clamp
Hubs	(F) Sealed Alloy Disc, 12x100 / (R) ebikemotion X35 250W	Headset	FSA, Alloy, 1-1/8" Ahead, semi-integrated
Spokes	Stainless Steel, 14g	Brakes	Tekro HD-R280 hydraulic disc, 160/140mm rotors
Tires	Maxxis DTR-1, 650b x 47c	Brake Levers	Tekro hydro disc
Pedals	Cannondale Comfort	Saddle	Cannondale Treadwell, 170mm, steel rails
Crank	Prowheel, 42T	Seatpost	Promax Suspension Seatpost, 31.6, 40mm
Bottom Bracket	Cartridge Sealed	Connectivity	Wheel Sensor
		Sizes	S, M, L
		Color 1	Mantis (MAT)
		Extras	Kickstand

Treadwell Neo EQ



C63250M

Frame	All-New, SmartForm C3 Alloy, low standover Ride-Easy geometry, internal downtube battery, hidden cable routing, Urban Armor frame bumpers, flat mount disc, rack/fender mounts, kickstand mount	Rear Cogs	Sunrace, 11-36, 9-speed
Fork	All-New, SmartForm C3 Alloy blades, 1-1/8" steerer, OutFront offset, flat mount disc, mid-blade rack/fender mounts	Rear Derailleur	Shimano Alivio
Drive Unit	MAHLE ebikemotion X35 250W	Shifters	Shimano Acera, 9-speed
Battery	MAHLE ebikemotion X35 250Wh	Handlebar	Cannondale Cruise Control riser, 6061 alloy, 31.8mm clamp, 15 degree backsweep, 740mm width
Display	MAHLE ebikemotion iWok ONE	Grips	Cannondale Comfort
Charger	MAHLE ebikemotion X35	Stem	Cannondale 3 with Intellimount, alloy, 31.8mm clamp
Rims	Shining, 32 hole	Headset	FSA, Alloy, 1-1/8" Ahead, semi-integrated
Hubs	(F) Sealed Alloy Disc, 12x100 / (R) TBD	Brakes	Tekro HD-R280 hydraulic disc, 160/140mm rotors
Spokes	Stainless Steel, 14g	Brake Levers	Tekro hydro disc
Tires	Maxxis DTR-1, 650b x 47c	Saddle	Cannondale Treadwell, 170mm, steel rails
Pedals	Cannondale Comfort	Seatpost	Promax Suspension Seatpost, 31.6, 40mm
Crank	Prowheel, 42T	Connectivity	Wheel Sensor
Bottom Bracket	Cartridge Sealed	Sizes	S, M, L
Chain	KMC E9T, 9-speed	Color 1	Black (BLK)
		Extras	Lights - Herrmans H-Black MR8 front / Herrmans H-trace rear, Sunnywheel fenders, Yuen-I front rack (10kg max capacity), kickstand

Treadwell Neo Remixte



C63150U

Frame	All-New, SmartForm C3 Alloy, step-thru Ride-Easy geometry, internal downtube battery, hidden cable routing, Urban Armor frame bumpers, flat mount disc, rack/fender mounts, kickstand mount	Chain	KMC E9T, 9-speed
Fork	All-New, SmartForm C3 Alloy blades, 1-1/8" steerer, OutFront offset, flat mount disc, mid-blade rack/fender mounts	Rear Cogs	Sunrace, 11-36, 9-speed
Drive Unit	MAHLE ebikemotion X35 250W	Rear Derailleur	Shimano Altus
Battery	MAHLE ebikemotion X35 250Wh	Shifters	Shimano Altus, 9-speed
Display	MAHLE ebikemotion iWok ONE	Handlebar	Cannondale Cruise Control riser, 6061 alloy, 31.8mm clamp, 15 degree backsweep, 740mm width
Charger	MAHLE ebikemotion X35	Grips	Cannondale Comfort
Rims	Shining, 32 hole	Stem	Cannondale 3 with Intellimount, alloy, 31.8mm clamp
Hubs	(F) Sealed Alloy Disc, 12x100 / (R) ebikemotion X35 250W	Headset	FSA, Alloy, 1-1/8" Ahead, semi-integrated
Spokes	Stainless Steel, 14g	Brakes	Tekro HD-R280 hydraulic disc, 160/140mm rotors
Tires	Maxxis DTR-1, 650b x 47c	Brake Levers	Tekro hydro disc
Pedals	Cannondale Comfort	Saddle	Cannondale Treadwell, 170mm, steel rails
Crank	Prowheel, 42T	Seatpost	Promax Suspension Seatpost, 31.6, 40mm
Bottom Bracket	Cartridge Sealed	Connectivity	Wheel Sensor
		Sizes	S, L
		Color 1	Mantis (MAT)
		Extras	Kickstand

Treadwell Neo EQ Remixte

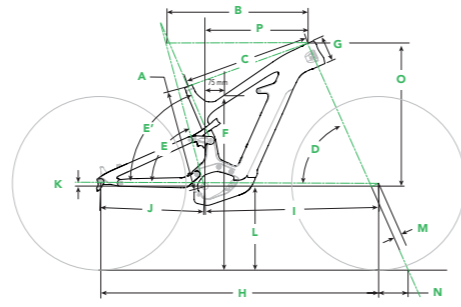


C63250U

Frame	All-New, SmartForm C3 Alloy, step-thru Ride-Easy geometry, internal downtube battery, hidden cable routing, Urban Armor frame bumpers, flat mount disc, rack/fender mounts, kickstand mount	Rear Cogs	Sunrace, 11-36, 9-speed
Fork	All-New, SmartForm C3 Alloy blades, 1-1/8" steerer, OutFront offset, flat mount disc, mid-blade rack/fender mounts	Rear Derailleur	Shimano Alivio
Drive Unit	MAHLE ebikemotion X35 250W	Shifters	Shimano Acera, 9-speed
Battery	MAHLE ebikemotion X35 250Wh	Handlebar	Cannondale Cruise Control riser, 6061 alloy, 31.8mm clamp, 15 degree backsweep, 740mm width
Display	MAHLE ebikemotion iWok ONE	Grips	Cannondale Comfort
Charger	MAHLE ebikemotion X35	Stem	Cannondale 3 with Intellimount with high direct light mount, alloy, 31.8mm clamp
Rims	Shining, 32 hole	Headset	FSA, Alloy, 1-1/8" Ahead, semi-integrated
Hubs	(F) Sealed Alloy Disc, 12x100 front / (R) ebikemotion X35 250W	Brakes	Tekro HD-R280 hydraulic disc, 160/140mm rotors
Spokes	Stainless Steel, 14g	Brake Levers	Tekro hydro disc
Tires	Maxxis DTR-1, 650b x 47c	Saddle	Cannondale Treadwell, 170mm, steel rails
Pedals	Cannondale Comfort	Seatpost	Promax Suspension Seatpost, 31.6, 40mm
Crank	Prowheel, 42T	Connectivity	Wheel Sensor
Bottom Bracket	Cartridge Sealed	Sizes	S, L
Chain	KMC E9T, 9-speed	Color 1	Black (BLK)
		Extras	Lights - Herrmans H-Black MR8 front / Herrmans H-trace rear, Sunnywheel fenders, Yuen-I front rack (10kg max capacity), kickstand

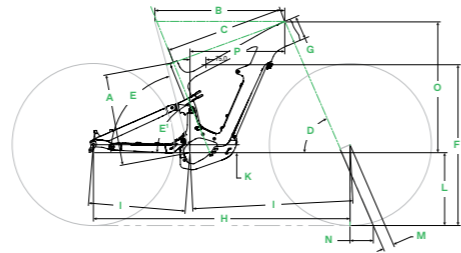
Moterra NEO

	SM	MD	LG	XL
A Seat Tube Length (cm)	41.0	44.0	47.0	51.5
B Top Tube Horizontal (cm)	58.7	61.4	63.8	66.6
C Top Tube Actual (cm)	52.2	55.2	57.8	61.2
D Head Tube Angle	66.0°	66.0°	66.0°	66.0°
E Seat Tube Angle				
E' Seat Tube Angle Effective	75.0°	75.0°	75.0°	75.0°
F Standover (cm)	73.9	74.9	75.5	77.8
G Head Tube Length (cm)	10.0	11.0	12.0	13.0
H Wheelbase (cm)	118.4	122.1	124.7	127.6
I Front Center (cm)	73.5	77.2	79.7	82.7
J Chain Stay Length (cm)	45.0	45.0	45.0	45.0
K Bottom Bracket Drop (cm)	1.0	1.8	1.8	1.8
L Bottom Bracket Height (cm)	35.1	36.2	36.2	36.2
M Fork Rake (cm)	4.4	5.1	5.1	5.1
N Trail (cm)	11.3	11.3	11.3	11.3
O Stack (cm)	58.5	61.9	62.9	63.8
P Reach (cm)	43.0	44.8	47.0	49.5



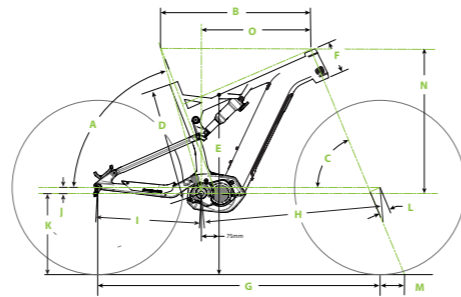
Habit NEO

	SM	MD	LG	XL
A Seat Tube Length (cm)	40.0	43.0	46.0	51.0
B Top Tube Horizontal (cm)	58.7	61.0	63.7	66.5
C Top Tube Actual (cm)	53.6	55.6	58.2	61.2
D Head Tube Angle	66.5°	66.5°	66.5°	66.5°
E Seat Tube Angle				
E' Seat Tube Angle Effective	75.0°	75.0°	75.0°	75.0°
F Standover (cm)	53.6	55.6	58.2	61.2
G Head Tube Length (cm)	10.0	11.0	12.0	13.0
H Wheelbase (cm)	118.1	120.5	123.4	126.3
I Front Center (cm)	72.8	75.2	78.1	81.0
J Chain Stay Length (cm)	45.5	45.5	45.5	45.5
K Bottom Bracket Drop (cm)	3.8	3.8	3.8	3.8
L Bottom Bracket Height (cm)	34.2	34.2	34.2	34.2
M Fork Rake (cm)	5.1	5.1	5.1	5.1
N Trail (cm)	10.9	10.9	10.9	10.9
O Stack (cm)	60.5	61.4	62.3	63.3
P Reach (cm)	42.5	44.5	47.0	49.5



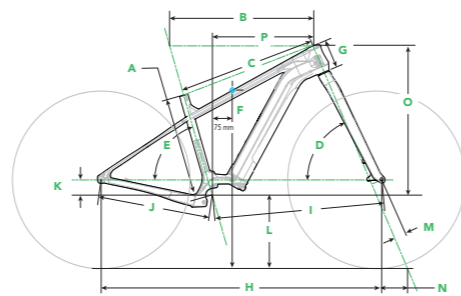
Cujo NEO 130

	S	M	L	XL
A Seat Tube Length (cm)	40	44	48	52
B Top Tube Horizontal (cm)	58.1	60.5	63.5	66.2
C Top Tube Actual (cm)	N/A	*	*	*
D Head Tube Angle	67	67	67	67
E Seat Tube Angle				
E' Seat Tube Angle Effective	74	74	74	74
F Standover (cm)	76.2	76.5	76.5	76.9
G Head Tube Length (cm)	128	128	136	144
H Wheelbase (cm)	114.2	116.6	119.7	122.5
I Front Center (cm)	70.3	72.7	75.8	78.6
J Chain Stay Length (cm)	44	44	44	44
K Bottom Bracket Drop (cm)	2.5	2.5	2.5	2.5
L Bottom Bracket Height (cm)	33.8	33.8	33.8	33.8
M Fork Rake (cm)	4.6	4.6	4.6	4.6
N Trail (cm)	13.4	12	11.4	10.8
O Stack (cm)	59.6	59.6	60.4	61.1
P Reach (cm)	41	43.4	46.2	48.7



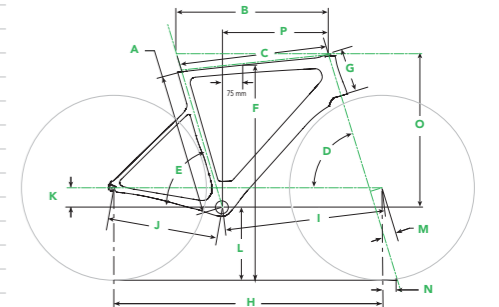
Trail NEO

	SM	MD	LG
A Seat Tube Length (cm)	40.0	43.5	47.0
B Top Tube Horizontal (cm)	56.1	59.9	63.2
C Top Tube Actual (cm)	54.3	57.8	60.8
D Head Tube Angle	67.0°	67.0°	67.0°
E Seat Tube Angle			
E' Seat Tube Angle Effective	74.0°	74.0°	74.0°
F Standover (cm)	68.3	68.9	68.9
G Head Tube Length (cm)	12.0	12.0	13.0
H Wheelbase (cm)	113.8	117.8	121.3
I Front Center (cm)	67.3	71.6	75.0
J Chain Stay Length (cm)	47.0	47.0	47.0
K Bottom Bracket Drop (cm)	5.2	6.5	6.5
L Bottom Bracket Height (cm)	30.8	31.5	31.5
M Fork Rake (cm)	4.6	5.1	5.1
N Trail (cm)	10.3	10.6	10.6
O Stack (cm)	59.6	62.5	63.4
P Reach (cm)	39.0	42.0	45.0



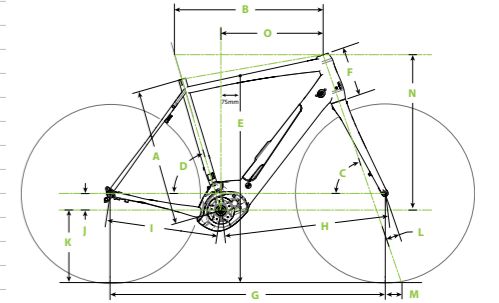
SuperSix Evo NEO

	SM	MD	LG
A Seat Tube Length (cm)	47.7	51.5	53.6
B Top Tube Horizontal (cm)	53.4	54.6	55.7
C Top Tube Actual (cm)	N/A		
D Head Tube Angle	71.2°	71.2°	73.0°
E Seat Tube Angle	73.7°	73.7°	73.7°
F Standover (cm)	75.8	78.8	80.8
G Head Tube Length (cm)			
H Wheelbase (cm)	100.6	101.8	100.2
I Front Center (cm)	59.8	61.1	59.4
J Chain Stay Length (cm)	41.8	41.8	41.8
K Bottom Bracket Drop (cm)	7.2	7.2	7.2
L Bottom Bracket Height (cm)	27.1	27.1	27.1
M Fork Rake (cm)	5.5	5.5	4.5
N Trail (cm)	5.8	5.8	5.8
O Stack (cm)	53.4	55.4	57.4
P Reach (cm)	37.8	38.4	38.9



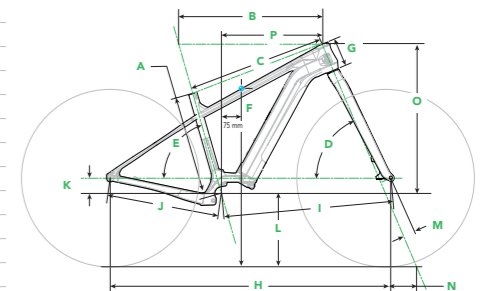
Synapse NEO / Synapse NEO SE

	SM	MD	LG	XL
A Seat Tube Length (cm)	44.5	49.0	53.5	58.0
B Top Tube Horizontal (cm)	53.5	55.2	57.6	59.7
C Head Tube Angle	71°	71°	71°	71°
D Seat Tube Angle	74°	74°	73.5°	73°
E Standover (cm)	73	77	81	85
G Head Tube Length (cm)	12.6	15.7	19.1	22.2
G Wheelbase (cm)	103.4	105.3	107.3	103.4
H Front Center (cm)	60.5	62.4	64.4	66.6
I Chain Stay Length (cm)	43.8	43.8	43.8	43.8
J Bottom Bracket Drop (cm)	6.7	6.7	6.7	6.7
K Bottom Bracket Height (cm)	28.2	28.2	28.2	28.2
L Fork Rake (cm)	5.5	5.5	5.5	5.5
M Trail (cm)	6.2	6.2	6.2	6.2
N Stack (cm)	54.7	57.7	60.9	63.8
O Reach (cm)	37.8	38.7	39.6	40.8



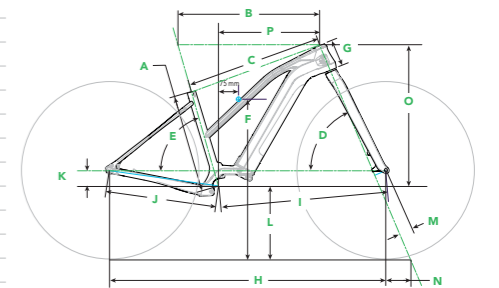
Canvas NEO

	S	M	L	XL
A Seat Tube Length (cm)	40.0	43.5	47.0	50.0
B Top Tube Horizontal (cm)	55.9	59.5	62.8	66.0
C Top Tube Actual (cm)	54.3	57.8	60.8	63.9
D Head Tube Angle	68.4°	68.4°	68.4°	68.4°
E Seat Tube Angle Effective	74.6°	75.4°	75.4°	75.4°
F Standover (cm)	73.6	72.5	73.4	73.3
G Head Tube Length (cm)	12.0	12.0	13.0	14.0
H Wheelbase (cm)	113.4	117.1	120.5	123.9
I Front Center (cm)	67.0	71.1	74.5	77.8
J Chain Stay Length (cm)	47.0	47.0	47.0	47.0
K Bottom Bracket Drop (cm)	5.7	7.7	7.6	7.6
L Bottom Bracket Height (cm)	31.7	29.7	29.8	29.8
M Fork Rake (cm)	5.5	5.5	5.5	5.5
N Trail (cm)	8.9	8.9	8.9	8.9
O Stack (cm)	59.5	61.4	62.3	63.2
P Reach (cm)	39.5	43.5	46.6	49.5



Canvas NEO Remixte

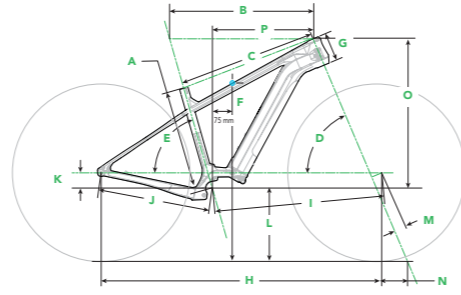
	SM	MD	LG
A Seat Tube Length (cm)	40.0	43.5	47.0
B Top Tube Horizontal (cm)	56.1	59.9	63.2
C Top Tube Actual (cm)	54.3	57.8	60.8
D Head Tube Angle	67.0°	67.0°	67.0°
E Seat Tube Angle Effective	74.0°	74.0°	74.0°
F Standover (cm)	68.3	68.9	68.9
G Head Tube Length (cm)	12.0	12.0	13.0
H Wheelbase (cm)	113.8	117.8	121.3
I Front Center (cm)	67.3	71.6	75.0
J Chain Stay Length (cm)	47.0	47.0	47.0
K Bottom Bracket Drop (cm)	5.2	6.5	6.5
L Bottom Bracket Height (cm)	30.8	31.5	31.5
M Fork Rake (cm)	4.6	5.1	5.1
N Trail (cm)	10.3	10.6	10.6
O Stack (cm)	59.6	62.5	63.4
P Reach (cm)	39.0	42.0	45.0



* Indicates same as previous

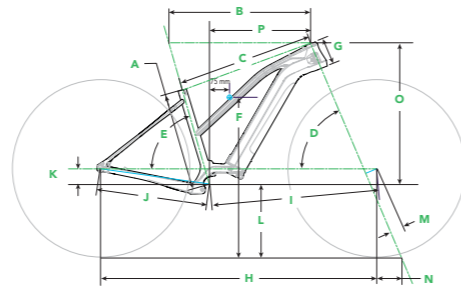
Tesoro NEO X

	SM	MD	LG	XL
A Seat Tube Length (cm)	38	43.5	48.5	53.5
B Top Tube Horizontal (cm)	58	61.7	64.0	66.5
C Top Tube Actual (cm)	N/A	N/A	N/A	N/A
D Head Tube Angle	68°	68°	68°	68°
E Seat Tube Angle Effective	73.5°	73.5°	73.5°	73.5°
F Standover (cm)	74.6	77.5	81.3	84.7
G Head Tube Length (cm)	12.8	12.8	13.6	14.4
H Wheelbase (cm)	115.5	119.2	121.6	124.2
I Front Center (cm)	68.2	71.9	81.3	84.7
J Chain Stay Length (cm)	47.9	47.9	47.9	47.9
K Bottom Bracket Drop (cm)	5.7	5.7	5.7	5.7
L Bottom Bracket Height (cm)	31.5	31.5	31.5	31.5
M Fork Rake (cm)	5.1	5.1	5.1	5.1
N Trail (cm)	9.2	9.2	9.2	9.2
O Stack (cm)	62.9	62.9	63.7	64.4
P Reach (cm)	39.3	43.0	45.1	47.4



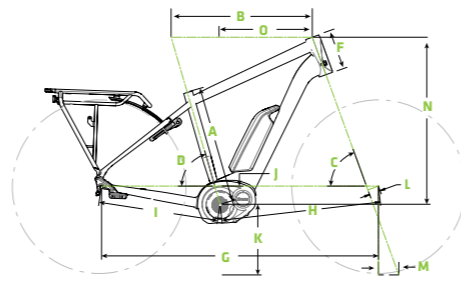
Tesoro NEO X Remixte

	SM	MD	LG	XL
A Seat Tube Length (cm)	38	43.5	48.5	53.5
B Top Tube Horizontal (cm)	58	61.7	64.0	66.5
C Top Tube Actual (cm)	N/A	N/A	N/A	N/A
D Head Tube Angle	68°	68°	68°	68°
E Seat Tube Angle Effective	73.5°	73.5°	73.5°	73.5°
F Standover (cm)	74.6	77.5	81.3	84.7
G Head Tube Length (cm)	12.8	12.8	13.6	14.4
H Wheelbase (cm)	115.5	119.2	121.6	124.2
I Front Center (cm)	68.2	71.9	81.3	84.7
J Chain Stay Length (cm)	47.9	47.9	47.9	47.9
K Bottom Bracket Drop (cm)	5.7	5.7	5.7	5.7
L Bottom Bracket Height (cm)	31.5	31.5	31.5	31.5
M Fork Rake (cm)	5.1	5.1	5.1	5.1
N Trail (cm)	9.2	9.2	9.2	9.2
O Stack (cm)	62.9	62.9	63.7	64.4
P Reach (cm)	39.3	43.0	45.1	47.4



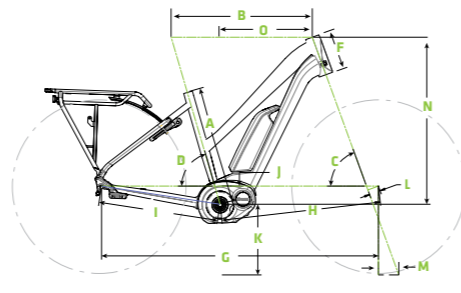
Tesoro NEO Men's

	S (50cm)	M (56cm)	L (62cm)
A Seat Tube Length (cm)	50.0/19.7	56.0/22.0	62.0/24.4
B Top Tube Horizontal (cm)	56.5/22.2	59.0/23.2	61.0/24.0
C Top Tube Actual (cm)			
D Head Tube Angle	70.0°	71.0°	*
E Seat Tube Angle	74.0°	*	*
E' Seat Tube Angle Effective			
F Standover (cm)	80.4/31.6	83.9/33.0	88.3/34.8
G Head Tube Length (cm)	13.4/5.3	*	16.0/6.3
H Wheelbase (cm)	111.2/43.8	112.6/44.3	114.8/45.2
I Front Center (cm)	64.0/25.2	65.4/25.7	67.5/26.6
J Chain Stay Length (cm)	48.2/19.0	*	*
K Bottom Bracket Drop (cm)	7.3/2.9	*	*
L Bottom Bracket Height (cm)	28.4/11.2	*	*
M Fork Rake (cm)	4.5/1.8	*	*
N Trail (cm)	8.2/3.2	7.5/3.0	*
O Stack (cm)	64.6/25.4	65.1/25.6	67.5/26.6
P Reach (cm)	38.0/14.9	40.3/15.9	41.6/16.4



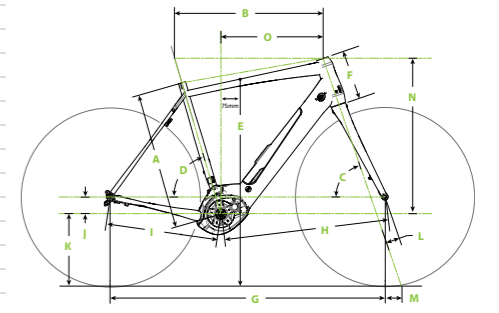
Tesoro NEO Women's

	SM (47cm)	MD (52cm)	LG (58cm)
A Seat Tube Length (cm)	47.0/17.2	52.0/20.5	58.0/22.8
B Top Tube Horizontal (cm)	56.5/22.2	58.2/23.0	60.0/23.6
C Top Tube Actual (cm)			
D Head Tube Angle	70.0°	*	*
E Seat Tube Angle	74.0°	*	*
E' Seat Tube Angle Effective			
F Standover (cm)	68.1/26.8	68.1/26.8	68.1/26.8
G Head Tube Length (cm)	13.4/5.28	*	*
H Wheelbase (cm)	111.3/43.8	113.0/44.5	114.8/45.2
I Front Center (cm)	64.1/25.2	65.7/26.0	67.5/26.6
J Chain Stay Length (cm)	48.2/19.0	*	*
K Bottom Bracket Drop (cm)	7.3/3.0	*	*
L Bottom Bracket Height (cm)	28.4/11.2	*	*
M Fork Rake (cm)	4.5 / 1.7	*	*
N Trail (cm)	8.2/3.2	*	*
O Stack (cm)	65.0/25.6	*	*
P Reach (cm)	38.0/15.0	39.6/15.6	41.4/16.3



Quick NEO / Quick NEO EQ

	S	M	L	XL
A Seat Tube Length (cm)	44.5	49.0	53.5	58.0
B Top Tube Horizontal (cm)	53.5	55.2	57.6	59.7
C Head Tube Angle	71.0	71.0	71.0	71.0
D Seat Tube Angle Effective	74.0°	74.0°	73.5°	73.0°
E Standover (cm)	73.0	77.0	81.0	85.0
F Head Tube Length (cm)	12.6	15.7	19.1	22.2
G Wheelbase (cm)	103.4	105.3	107.3	103.4
H Front Center (cm)	60.5	62.4	64.4	66.6
I Chain Stay Length (cm)	43.8	43.8	43.8	43.8
J Bottom Bracket Drop (cm)	6.7	6.7	6.7	6.7
K Bottom Bracket Height (cm)	28.2	28.2	28.2	28.2
L Fork Rake (cm)	5.5	5.5	5.5	5.5
M Trail (cm)	6.2	6.2	6.2	6.2
N Stack (cm)	54.7	57.7	60.9	63.8
O Reach (cm)	37.8	38.7	39.6	40.8

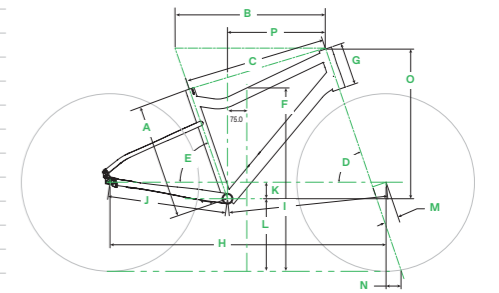


Consumer Friendly Name

	Sizes
A Seat Tube Length (cm)	Seat Tube Length
B Top Tube Horizontal (cm)	Top Tube Horizontal
C Top Tube Actual (cm)	Top Tube Actual
NEED TO LOAD QUICK NEO SL	
G Head Tube Length (cm)	Head Tube Length
H Wheelbase (cm)	Wheelbase
I Front Center (cm)	Front Center
J Chain Stay Length (cm)	Chain Stay Length
K Bottom Bracket Drop (cm)	Bottom Bracket Drop
L Bottom Bracket Height (cm)	Bottom Bracket Height
M Fork Rake (cm)	Fork Rake
N Trail (cm)	Trail
O Stack (cm)	Stack
P Reach (cm)	Reach

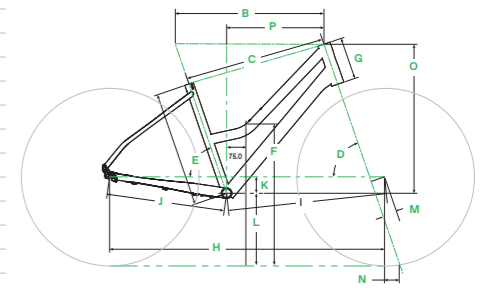
Treadwell NEO

	SM	MD	LG
A Seat Tube Length (cm)	38.7	45.0	51.3
B Top Tube Horizontal (cm)	55.7	57.9	60.0
C Top Tube Actual (cm)	NA	NA	NA
D Head Tube Angle	70.5°	71.0°	71.0°
E Seat Tube Angle	71.0°	71.0°	71.0°
F Standover (cm)	66.5	70.9	74.7
G Head Tube Length (cm)	13.5	16.5	19.6
H Wheelbase (cm)	105.4	107.1	109.2
I Front Center (cm)	60.1	61.8	63.9
J Chain Stay Length (cm)	46.0	46.0	46.0
K Bottom Bracket Drop (cm)	6.4	6.4	6.4
L Bottom Bracket Height (cm)	28.0	28.0	28.0
M Fork Rake (cm)	5.5	5.5	5.5
N Trail (cm)	6.3	6.0	6.0
O Stack (cm)	55.0	58.0	61.0
P Reach (cm)	36.8	37.9	39.0



Treadwell NEO Remixte

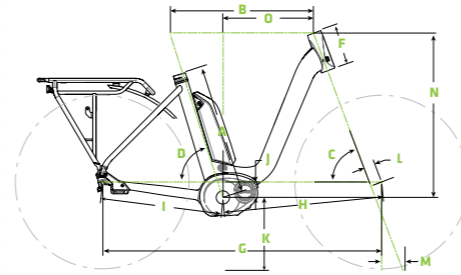
	SM	LG
A Seat Tube Length (cm)	38.7	45.0
B Top Tube Horizontal (cm)	55.7	57.9
C Top Tube Actual (cm)	NA	
D Head Tube Angle	70.5°	71.0°
E Seat Tube Angle	71.0°	71.0°
F Standover (cm)	54.5	54.9
G Head Tube Length (cm)	13.5	16.5
H Wheelbase (cm)	105.4	107.1
I Front Center (cm)	60.1	61.8
J Chain Stay Length (cm)	46.0	46.0
K Bottom Bracket Drop (cm)	6.4	6.4
L Bottom Bracket Height (cm)	28.0	28.0
M Fork Rake (cm)	5.5	5.5
N Trail (cm)	6.3	6.0
O Stack (cm)	55.0	58.0
P Reach (cm)	36.8	37.9



* Indicates same as previous

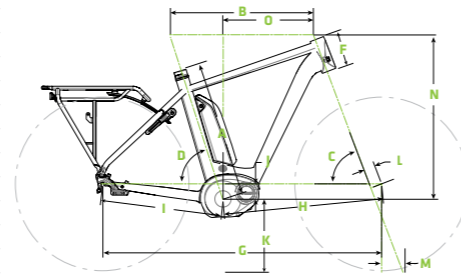
Mavaro NEO City

	XS (45cm)	SM (47cm)	MD (52cm)	LG (58cm)
A Seat Tube Length (cm)	45.0	47.0	52.0	58.0
B Top Tube Horizontal (cm)	56.0	56.8	58.2	60.0
D Head Tube Angle	69.0°	69.5°	69.5°	69.5°
E Seat Tube Angle Effective	72.0°	72.0°	72.0°	72.0°
F Standover (cm)	40.8	40.8	40.8	40.8
G Head Tube Length (cm)	13.4	13.4	16.0	16.0
H Wheelbase (cm)	109.9	110.0	116.1	134.0
I Front Center (cm)	62.5	62.8	64.3	66.1
J Chain Stay Length (cm)	48.2	48.2	48.2	48.2
K Bottom Bracket Drop (cm)	7.3	7.3	7.3	7.3
L Bottom Bracket Height (cm)	28.4	28.4	28.4	28.4
M Fork Rake (cm)	4.5	4.5	4.5	4.5
N Trail (cm)	8.4	8.7	8.7	8.7
O Stack (cm)	63.1	63.3	65.8	65.8
P Reach (cm)	35.5	36.2	36.8	38.6



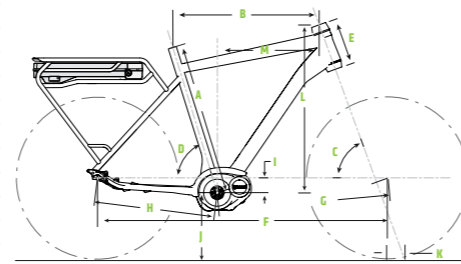
Mavaro NEO Men's

	SM (51cm)	MD (56cm)	LG (62cm)
A Seat Tube Length (cm)	51.0	56.0	62.0
B Top Tube Horizontal (cm)	57.0	58.7	60.5
D Head Tube Angle	69.0°	69.5°	69.5°
E Seat Tube Angle Effective	72.5°	72.5°	72.5°
F Standover (cm)	80.3	85.3	85.3
G Head Tube Length (cm)	13.4	16.0	16.0
H Wheelbase (cm)	111.5	112.7	114.5
I Front Center (cm)	64.1	65.4	67.2
J Chain Stay Length (cm)	48.2	48.2	48.2
K Bottom Bracket Drop (cm)	7.3	7.3	7.3
L Bottom Bracket Height (cm)	28.4	28.4	28.4
M Fork Rake (cm)	4.5	4.5	4.5
N Trail (cm)	8.4	8.7	8.7
O Stack (cm)	63.1	65.8	65.8
P Reach (cm)	37.1	38.0	38.0



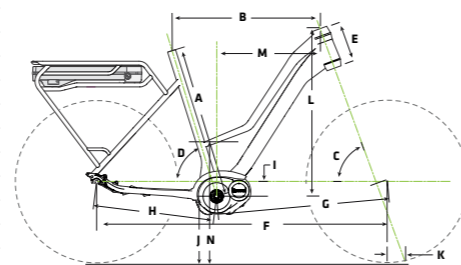
Mavaro

	52	57	62
A Seat Tube Length (cm)	52	57	62
B Top Tube Horizontal (cm)	58.5	59.9	61.8
C Head Tube Angle	71	72	72
D Seat Tube Angle	74	74	73
F Standover (cm)			
G Head Tube Length (cm)	16	16	16
H Wheelbase (cm)	110.5	110.9	111.6
I Front Center (cm)	64.9	64.7	65.4
J Chain Stay Length (cm)	47	47	47
K Bottom Bracket Drop (cm)	6.7	6.7	6.7
L Bottom Bracket Height (cm)	28.3	28.3	28.3
M Fork Rake (cm)	4.5	4.5	4.5
N Trail (cm)			
O Stack (cm)	59.1	59.1	59.1
P Reach (cm)	41.5	42.3	43



Mavaro City

	47	53	58
A Seat Tube Length (cm)	47	53	58
B Top Tube Horizontal (cm)	57	57.8	59
C Top Tube Actual (cm)			
D Head Tube Angle	71	71	71
E Seat Tube Angle	75	75	75
E' Seat Tube Angle Effective			
F Standover (cm)			
G Head Tube Length (cm)	16	16	16
H Wheelbase (cm)	110.7	111.5	112.9
I Front Center (cm)	64.4	65.1	66.5
J Chain Stay Length (cm)	47	47	47
K Bottom Bracket Drop (cm)	5.8	5.8	5.8
L Bottom Bracket Height (cm)	29.2	29.2	29.2
M Fork Rake (cm)	4.5	4.5	4.5
N Trail (cm)			
O Stack (cm)	59.1	59.1	59.1
P Reach (cm)	39.8	40.1	40.1



* Indicates same as previous



Kids

Kids' Line-Up

Cujo

With their agile feel and the grip and comfort of their big plus-size tires, the Cujos are the best way to learn trail-riding skills with fewer spills.



Trail

With their lightweight alloy frames, smooth suspension forks and easy gearing, the Trail bikes are ready for off-road adventure.



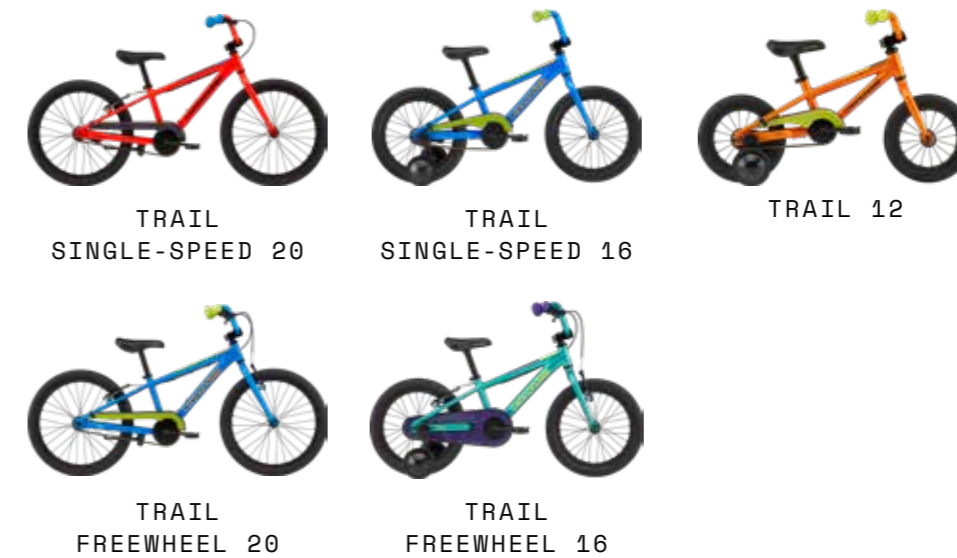
Quick

Fast rolling tires, wide range gearing and confident, stable handling make these seriously high-performance, on-road/off-road street machines.



Trail Single Speed / Freewheel

With one-speed simplicity and easy-to-use brakes, these lightweight bikes are perfect for building skills and having fun.



Trail Balance

Why not start 'em off in style? With its lightweight alloy frame and cool single-sided fork, this skill-building machine is unmistakably Cannondale.



Kids Cujo Race 24+



C56100U

Frame	SmartForm C3 Alloy, smooth welding	Rear Derailleur	Shimano Deore GS
Fork	SmartForm C3 Alloy, 1-1/8" steerer, IS disc mount	Shifters	Shimano Deore, 10-speed
Rims	Cannondale Disc, lightweight alloy, double wall, 24", 29mm inner width, 28h	Handlebar	Lightweight Alloy Riser, 31.8, 635mm
Hubs	(F) Sealed Alloy Disc, QR / (R) Sealed Alloy Disc, QR	Grips	Cannondale Kid's Performance
Spokes	Stainless Steel 14g	Stem	Cannondale, 6061 Alloy, 31.8, 7°
Tires	Kenda Slant 6, 24 x 2.6"	Headset	FSA, Alloy, 1-1/8" Ahead, semi-integrated
Pedals	Wellgo Composite Platform w/ reflectors	Brakes	Promax DSK-926 hydro disc, 160/160mm rotors
Crank	Prowheel, Pro-V30, 130mm length, 30T	Brake Levers	Promax hydro disc, short reach
Bottom Bracket	Cartridge square taper	Saddle	Cannondale Ergo
Chain	KMC X10, 10-speed	Seatpost	Lightweight alloy, 25.4mm
Rear Cogs	Sunrace, 11-42, 10-speed	Sizes	One Size
		Color 1	Chameleon (CML)

Kids Cujo Race 20+



C56200U

Frame	SmartForm C3 Alloy, smooth welding	Rear Derailleur	SRAM X5
Fork	SmartForm C3 Alloy, 1-1/8" steerer, IS disc mount	Shifters	SRAM X5, 10-speed
Rims	Cannondale Disc, lightweight alloy, double wall, 20", 29mm inner width, 28h	Handlebar	Lightweight Alloy Riser, 31.8, 635mm
Hubs	(F) Sealed Alloy Disc, QR / (R) Sealed Alloy Disc, QR	Grips	Cannondale Kid's Performance
Spokes	Stainless Steel 14g	Stem	6061 Alloy, 31.8, 7°
Tires	Kenda Slant 6, 20 x 2.6"	Headset	FSA, Alloy, 1-1/8" Ahead, semi-integrated
Pedals	Wellgo Composite Platform w/ reflectors	Brakes	Promax hydro disc, 160/160mm rotors
Crank	Prowheel, Pro-V30, 110mm length, 30T	Brake Levers	Promax hydro disc, short reach
Bottom Bracket	Cartridge square taper	Saddle	Cannondale Ergo
Chain	KMC X10, 10-speed	Seatpost	Lightweight alloy, 25.4mm
Rear Cogs	Sunrace, 11-42, 10-speed	Sizes	One Size
		Color 1	Acid Red (ARD)

Kids Cujo 24+



C56300U

Frame	SmartForm C3 Alloy, smooth welding	Rear Derailleur	Shimano Tourney TX
Fork	SmartForm C3 Alloy, 1-1/8" steerer, IS disc mount	Shifters	Shimano Tourney Revo Twist Shifter, 8-speed
Rims	Cannondale Disc, lightweight alloy, double wall, 24", 29mm inner width, 28h	Handlebar	Lightweight Alloy, 580mm wide, 25.4mm
Hubs	(F) Sealed Alloy Disc, QR / (R) Sealed Alloy Disc, QR	Grips	Cannondale Kid's Performance
Spokes	Stainless Steel 14g	Stem	Alloy Ahead, 30mm
Tires	Kenda Slant 6, 24 x 2.6"	Headset	FSA, Alloy, 1-1/8" Ahead, semi-integrated
Pedals	Wellgo Composite Platform w/ reflectors	Brakes	Tektro mechanical disc w/ 160mm rotors
Crank	Prowheel, Pro-V30, 130mm length, 30T	Brake Levers	Tektro
Bottom Bracket	Cartridge square taper	Saddle	Cannondale Ergo
Chain	KMC Z8.1, 8-speed	Seatpost	Lightweight alloy, 25.4mm
Rear Cogs	Sunrace, 11-34, 8-speed	Sizes	One Size
		Color 1	Electric Blue (ELB)

Kids Cujo 20+



C56400U

Frame	SmartForm C3 Alloy, smooth welding	Rear Derailleur	Shimano Tourney
Fork	SmartForm C3 Alloy, 1-1/8" steerer, IS disc mount	Shifters	Shimano Tourney Revo Twist Shifter, 7-speed
Rims	Cannondale Disc, lightweight alloy, double wall, 20", 29mm inner width, 28h	Handlebar	Lightweight Alloy, 580mm wide, 25.4mm
Hubs	(F) Sealed Alloy Disc, QR / (R) Formula QR	Grips	Cannondale Kid's Performance
Spokes	Stainless Steel 14g	Stem	Alloy Ahead, 30mm
Tires	Kenda Slant 6, 20 x 2.6"	Headset	FSA, Alloy, 1-1/8" Ahead, semi-integrated
Pedals	Wellgo Composite Platform w/ reflectors	Brakes	Tektro mechanical disc w/ 160mm rotors
Crank	Prowheel, Pro-V30, 110mm length, 30T	Brake Levers	Tektro
Bottom Bracket	Cartridge square taper	Saddle	Cannondale Ergo
Chain	KMC Z7, 7-speed	Seatpost	Lightweight alloy, 25.4mm
Rear Cogs	Sunrace, 11-34, 7-speed	Sizes	One Size
		Color 1	Crush (CRU)

Kids Trail 24"



C51150M

Frame	SmartForm C3 Alloy, smooth welding	Shifters	Shimano Tourney Revo Twist Shifter, 8-speed
Fork	SunTour XCT-JR 24, 63mm travel, 1-1/8" steerer, coil, w/ disc mounts	Handlebar	Lightweight Alloy, 580mm wide, 25.4mm
Rims	Cannondale lightweight alloy, 24", 28h	Grips	Cannondale Kid's Performance
Hubs	(F) Sealed Alloy Disc, QR / (R) Sealed Alloy Disc, QR	Stem	Alloy Ahead, 30mm
Spokes	Steel, 14g Black	Headset	FSA, Alloy, 1-1/8" Ahead, semi-integrated
Tires	Kenda Small Block 8, 24 x 1.95"	Brakes	Cable actuated mechanical disc
Pedals	Wellgo Composite Platform w/ reflectors	Brake Levers	Alloy 3 finger
Crank	Prowheel, Pro-V30, 130mm length, 30T	Saddle	Cannondale Ergo
Bottom Bracket	Cartridge square taper	Seatpost	Lightweight alloy, 25.4mm
Chain	KMC Z8.1, 8-speed	Sizes	One Size
Rear Cogs	Sunrace, 12-32, 8-speed	Color 1	Midnight (MDN)
Rear Derailleur	Shimano Tourney TX	Extras	Kickstand

Kids Trail 20"



C51250M

Frame	SmartForm C3 Alloy, smooth welding	Rear Derailleur	Shimano Tourney
Fork	SunTour XCT-JR 20, 40mm travel, 1-1/8" steerer, coil, w/ canti mounts	Shifters	Shimano Tourney Revo Twist Shifter, 7-speed
Rims	Cannondale lightweight alloy, 20", 28h	Handlebar	Lightweight Alloy, 580mm wide, 25.4mm
Hubs	(F) KT Alloy, nutted axle / (R) KT Alloy, nutted axle, 7-speed freewheel	Grips	Cannondale Kid's Performance
Spokes	Steel, 14g Black	Stem	Alloy Ahead, 30mm
Tires	Innova 20 x 1.95", multi-use tread	Headset	FSA, Alloy, 1-1/8" Ahead, semi-integrated
Pedals	Wellgo Composite Platform w/ reflectors	Brakes	Promax V-Brake, alloy linear pull
Crank	Prowheel, Pro-V30, 110mm length, 30T	Brake Levers	Promax Alloy, linear pull
Bottom Bracket	Cartridge square taper	Saddle	Cannondale Ergo
Chain	KMC Z7, 7-speed	Seatpost	Lightweight alloy, 25.4mm
Rear Cogs	Shimano, 14-28, 7-speed FW	Sizes	One Size
		Color 1	Emerald (EMR)
		Extras	Kickstand

Kids Trail 24"



C51150F

Frame	SmartForm C3 Alloy, smooth welding	Shifters	Shimano Tourney Revo Twist Shifter, 8-speed
Fork	SunTour XCT-JR 24, 63mm travel, 1-1/8" steerer, coil, w/ disc mounts	Handlebar	Lightweight Alloy, 580mm wide, 25.4mm
Rims	Cannondale lightweight alloy, 24", 28h	Grips	Cannondale Kid's Performance
Hubs	(F) Sealed Alloy Disc, QR / (R) Sealed Alloy Disc, QR	Stem	Alloy Ahead, 30mm
Spokes	Steel, 14g Black	Headset	FSA, Alloy, 1-1/8" Ahead, semi-integrated
Tires	Kenda Small Block 8, 24 x 1.95"	Brakes	Cable actuated mechanical disc
Pedals	Wellgo Composite Platform w/ reflectors	Brake Levers	Alloy 3 finger
Crank	Prowheel, Pro-V30, 130mm length, 30T	Saddle	Cannondale Ergo
Bottom Bracket	Cartridge square taper	Seatpost	Lightweight alloy, 25.4mm
Chain	KMC Z8.1, 8-speed	Sizes	One Size
Rear Cogs	Sunrace, 12-32, 8-speed	Color 1	Nuclear Yellow (NYW)
Rear Derailleur	Shimano Tourney TX	Extras	Kickstand

Kids Trail 20"



C51250F

Frame	SmartForm C3 Alloy, smooth welding	Rear Derailleur	Shimano Tourney
Fork	SunTour XCT-JR 20, 40mm travel, 1-1/8" steerer, coil, w/ canti mounts	Shifters	Shimano Tourney Revo Twist Shifter, 7-speed
Rims	Cannondale lightweight alloy, 20", 28h	Handlebar	Lightweight Alloy, 580mm wide, 25.4mm
Hubs	(F) KT Alloy, nutted axle / (R) KT Alloy, nutted axle, 7-speed freewheel	Grips	Cannondale Kid's Performance
Spokes	Steel, 14g Black	Stem	Alloy Ahead, 30mm
Tires	Innova 20 x 1.95", multi-use tread	Headset	FSA, Alloy, 1-1/8" Ahead, semi-integrated
Pedals	Wellgo Composite Platform w/ reflectors	Brakes	Promax V-Brake, alloy linear pull
Crank	Prowheel, Pro-V30, 110mm length, 30T	Brake Levers	Promax Alloy, linear pull
Bottom Bracket	Cartridge square taper	Saddle	Cannondale Ergo
Chain	KMC Z7, 7-speed	Seatpost	Lightweight alloy, 25.4mm
Rear Cogs	Shimano, 14-28, 7-speed FW	Sizes	One Size
		Color 1	Crush (CRU)
		Extras	Kickstand

Kids Quick 24"



CS1100M

Frame	SmartForm C3 Alloy, smooth welding	Shifters	Shimano Tourney Revo Twist Shifter, 7-speed
Fork	Rigid, SmartForm C3 Alloy, 1-1/8" steerer	Handlebar	Lightweight Alloy, 580mm wide, 25.4mm
Rims	Cannondale lightweight alloy, 24", 28h	Grips	Cannondale Kid's Performance
Hubs	(F) KT Alloy, nutted axle / (R) KT Alloy, 7-speed freehub	Stem	Alloy Ahead, 30mm
Spokes	Steel, 14g Black	Headset	FSA, Alloy, 1-1/8" Ahead, semi-integrated
Tires	Kenda, Small Block 8, 24 x 1.5"	Brakes	Promax V-Brake, alloy linear pull
Pedals	Wellgo Composite Platform w/ reflectors	Brake Levers	Promax
Crank	Prowheel, Pro-V30, 145mm length, 30T	Saddle	Cannondale Ergo
Bottom Bracket	Cartridge square taper	Seatpost	Lightweight alloy, 25.4mm
Chain	KMC Z7, 7-speed	Sizes	One Size
Rear Cogs	Sunrace, 11-28, 7-speed	Color 1	Acid Red (ARD)
Rear Derailleur	Shimano Tourney		

Kids Quick 20"



CS1200M

Frame	SmartForm C3 Alloy, smooth welding	Rear Derailleur	Shimano Tourney
Fork	Rigid, SmartForm C3 Alloy, 1" steerer	Shifters	Shimano Tourney Revo Twist Shifter, 7-speed
Rims	Cannondale lightweight alloy, 20", 28h	Handlebar	Lightweight Alloy, 580mm wide, 25.4mm
Hubs	(F) KT Alloy, nutted axle / (R) KT Alloy, 7-speed freehub	Grips	Cannondale Kid's Performance
Spokes	Steel, 14g Black	Stem	Alloy Ahead, 30mm
Tires	Kenda Small Block 8, 20 x 1.5"	Headset	VP, Alloy, 1" Ahead, semi-integrated
Pedals	Wellgo Composite Platform w/ reflectors	Brakes	Promax V-Brake, alloy linear pull
Crank	Prowheel, Pro-V30, 110mm length, 30T	Brake Levers	Promax
Bottom Bracket	Cartridge square taper	Saddle	Cannondale Ergo
Chain	KMC Z7, 7-speed	Seatpost	Lightweight alloy, 25.4mm
Rear Cogs	Sunrace, 11-28, 7-speed	Sizes	One Size
		Color 1	Electric Blue (ELB)

Kids Quick 24"



CS1100F

Frame	SmartForm C3 Alloy, smooth welding	Shifters	Shimano Tourney Revo Twist Shifter, 7-speed
Fork	Rigid, SmartForm C3 Alloy, 1-1/8" steerer	Handlebar	Lightweight Alloy, 580mm wide, 25.4mm
Rims	Cannondale lightweight alloy, 24", 28h	Grips	Cannondale Kid's Performance
Hubs	(F) KT Alloy, nutted axle / (R) KT Alloy, 7-speed freehub	Stem	Alloy Ahead, 30mm
Spokes	Steel, 14g Black	Headset	FSA, Alloy, 1-1/8" Ahead, semi-integrated
Tires	Kenda, Small Block 8, 24 x 1.5"	Brakes	Promax V-Brake, alloy linear pull
Pedals	Wellgo Composite Platform w/ reflectors	Brake Levers	Promax
Crank	Prowheel, Pro-V30, 145mm length, 30T	Saddle	Cannondale Ergo
Bottom Bracket	Cartridge square taper	Seatpost	Lightweight alloy, 25.4mm
Chain	KMC Z7, 7-speed	Sizes	One Size
Rear Cogs	Sunrace, 11-28, 7-speed	Color 1	Sherpa (SRP)
Rear Derailleur	Shimano Tourney		

Kids Quick 20"



CS1200F

Frame	SmartForm C3 Alloy, smooth welding	Shifters	Shimano Tourney Revo Twist Shifter, 7-speed
Fork	Rigid, SmartForm C3 Alloy, 1" steerer	Handlebar	Lightweight Alloy, 580mm wide, 25.4mm
Rims	Cannondale lightweight alloy, 20", 28h	Grips	Cannondale Kid's Performance
Hubs	(F) KT Alloy, nutted axle / (R) KT Alloy, 7-speed freehub	Stem	Alloy Ahead, 30mm
Spokes	Steel, 14g Black	Headset	VP, Alloy, 1" Ahead, semi-integrated
Tires	Kenda Small Block 8, 20 x 1.5"	Brakes	Promax V-Brake, alloy linear pull
Pedals	Wellgo Composite Platform w/ reflectors	Brake Levers	Promax
Crank	Prowheel, Pro-V30, 110mm length, 30T	Saddle	Cannondale Ergo
Bottom Bracket	Cartridge square taper	Seatpost	Lightweight alloy, 25.4mm
Chain	KMC Z7, 7-speed	Sizes	One Size
Rear Cogs	Sunrace, 11-28, 7-speed	Color 1	Ultra Violet (ULV)
Rear Derailleur	Shimano Tourney		

Kids Trail Single-Speed 20"



CS1270M

Frame	SmartForm C3 Alloy, smooth welding	Handlebar	Lightweight Alloy, 560mm wide, 22.2mm
Fork	Rigid, steel, 1" steerer	Grips	Cannondale Kid's Comfort
Rims	Cannondale lightweight alloy, 20", 28h	Stem	Alloy Ahead, 37mm
Hubs	(F) Alloy, nutted axle / (R) Alloy, nutted axles, coaster brake	Headset	1" Ahead
Spokes	Steel, 14g Black	Brakes	Rear V-brake and rear coaster brake
Tires	20 x 2.0", multi-use tread	Brake Levers	Alloy, linear pull
Pedals	Wellgo Composite Platform w/ reflectors, 1/2"	Saddle	Cannondale Kid's Comfort
Crank	One-piece, 120mm length, 32T	Seatpost	One-piece, clamp-less, 25.4mm
Bottom Bracket	Included	Sizes	One Size
Chain	KMC S1, 1/2x1/8"	Color 1	Acid Red (ARD)
Rear Cogs	16T	Color 2	Electric Blue (ELB)
		Extras	Kickstand, Chainguard

Kids Trail Single-Speed 16"



CS1360M

Frame	SmartForm C3 Alloy, smooth welding	Handlebar	Lightweight Alloy, 500mm wide, 22.2mm
Fork	Rigid, steel, 1" steerer	Grips	Cannondale Kid's Comfort
Rims	Cannondale 4, lightweight alloy, 16", 28h	Stem	Alloy Ahead, 37mm
Hubs	(F) Alloy, nutted axle / (R) Alloy, nutted axles, coaster brake	Headset	1" Ahead
Spokes	Steel, 14g Black	Brakes	Rear coaster brake
Tires	Innova, 16 x 1.95", multi-use tread	Saddle	Cannondale Kid's Comfort
Pedals	Wellgo Composite Platform w/ reflectors, 1/2"	Seatpost	One-piece, clamp-less, 25.4mm
Crank	One-piece, 110mm length, 28T	Sizes	One Size
Bottom Bracket	Included	Color 1	Acid Red (ARD)
Chain	KMC S1, 1/2x1/8"	Color 2	Electric Blue (ELB)
Rear Cogs	16T	Extras	Tool-less training wheels, Chainguard

Kids Trail Single-Speed 20"



CS1270F

Frame	SmartForm C3 Alloy, smooth welding	Handlebar	Lightweight Alloy, 560mm wide, 22.2mm
Fork	Rigid, steel, 1" steerer	Grips	Cannondale Kid's Comfort
Rims	Cannondale lightweight alloy, 20", 28h	Stem	Alloy Ahead, 37mm
Hubs	(F) Alloy, nutted axle / (R) Alloy, nutted axles, coaster brake	Headset	1" Ahead
Spokes	Steel, 14g Black	Brakes	Rear V-brake and rear coaster brake
Tires	20 x 2.0", multi-use tread	Brake Levers	Alloy, linear pull
Pedals	Wellgo Composite Platform w/ reflectors, 1/2"	Saddle	Cannondale Kid's Comfort
Crank	One-piece, 120mm length, 32T	Seatpost	One-piece, clamp-less, 25.4mm
Bottom Bracket	Included	Sizes	One Size
Chain	KMC S1, 1/2x1/8"	Color 1	Turquoise (TRQ)
Rear Cogs	16T	Color 2	Flamingo (FLM)
		Extras	Kickstand, Chainguard

Kids Trail Single-Speed 16"



CS1360F

Frame	SmartForm C3 Alloy, smooth welding	Rear Cogs	16T
Fork	Rigid, steel, 1" steerer	Handlebar	Lightweight Alloy, 500mm wide, 22.2mm
Rims	Cannondale 4, lightweight alloy, 16", 28h	Grips	Cannondale Kid's Comfort
Hubs	(F) Alloy, nutted axle / (R) Alloy, nutted axles, coaster brake	Stem	Alloy Ahead, 37mm
Spokes	Steel, 14g Black	Headset	1" Ahead
Tires	Innova, 16 x 1.95", multi-use tread	Brakes	Rear coaster brake
Pedals	Wellgo Composite Platform w/ reflectors, 1/2"	Saddle	Cannondale Kid's Comfort
Crank	One-piece, 110mm length, 28T	Seatpost	One-piece, clamp-less, 25.4mm
Bottom Bracket	Included	Sizes	One Size
Chain	KMC S1, 1/2x1/8"	Color 1	Turquoise (TRQ)
		Extras	Tool-less training wheels, Chainguard

Kids Trail Freewheel 20"



CS1260M

Frame	SmartForm C3 Alloy, smooth welding	Handlebar	Lightweight Alloy, 560mm wide, 22.2mm
Fork	Rigid, steel, 1" steerer, w/ canti mounts	Grips	Cannondale Kid's Comfort
Rims	Cannondale lightweight alloy, 20", 28h	Stem	Alloy Ahead, 37mm
Hubs	(F) Alloy, nutted axle / (R) Alloy, nutted axles, freewheel	Headset	1" Ahead
Spokes	Steel, 14g Black	Brakes	V-Brake, Alloy linear pull
Tires	20 x 1.75", multi-use tread	Brake Levers	Alloy, linear pull
Pedals	Wellgo Composite Platform w/ reflectors, 1/2"	Saddle	Cannondale Kid's Comfort
Crank	One-piece, 120mm length, 32T	Seatpost	One-piece, clamp-less, 25.4mm
Bottom Bracket	Included	Sizes	One Size
Chain	KMC S1, 1/2x1/8"	Color 1	Electric Blue (ELB)
Rear Cogs	16T	Extras	Kickstand, Chainguard

Kids Trail Freewheel 16"



CS1300M

Frame	SmartForm C3 Alloy, smooth welding	Handlebar	Lightweight Alloy, 500mm wide, 22.2mm
Fork	Rigid, steel, 1" steerer, w/ canti mounts	Grips	Cannondale Kid's Comfort
Rims	Cannondale 4, lightweight alloy, 16", 28h	Stem	Alloy Ahead, 37mm
Hubs	(F) Alloy, nutted axle / (R) Alloy, nutted axles, freewheel	Headset	1" Ahead
Spokes	Steel, 14g Black	Brakes	V-Brake, Alloy linear pull
Tires	Innova, 16 x 1.75", multi-use tread	Brake Levers	Alloy, linear pull
Pedals	Wellgo Composite Platform w/ reflectors, 1/2"	Saddle	Cannondale Kid's Comfort
Crank	One-piece, 110mm length, 28T	Seatpost	One-piece, clamp-less, 25.4mm
Bottom Bracket	Included	Sizes	One Size
Chain	KMC S1, 1/2x1/8"	Color 1	Electric Blue (ELB)
Rear Cogs	16T	Extras	Tool-less training wheels, Chainguard

Kids Trail Freewheel 20"



CS1260F

Frame	SmartForm C3 Alloy, smooth welding	Handlebar	Lightweight Alloy, 560mm wide, 22.2mm
Fork	Rigid, steel, 1" steerer, w/ canti mounts	Grips	Cannondale Kid's Comfort
Rims	Cannondale lightweight alloy, 20", 28h	Stem	Alloy Ahead, 37mm
Hubs	(F) Alloy, nutted axle / (R) Alloy, nutted axles, freewheel	Headset	1" Ahead
Spokes	Steel, 14g Black	Brakes	V-Brake, Alloy linear pull
Tires	20 x 1.75", multi-use tread	Brake Levers	Alloy, linear pull
Pedals	Wellgo Composite Platform w/ reflectors, 1/2"	Saddle	Cannondale Kid's Comfort
Crank	One-piece, 120mm length, 32T	Seatpost	One-piece, clamp-less, 25.4mm
Bottom Bracket	Included	Sizes	One Size
Chain	KMC S1, 1/2x1/8"	Color 1	Turquoise (TRQ)
Rear Cogs	16T	Extras	Kickstand, Chainguard

Kids Trail Freewheel 16"



CS1300F

Frame	SmartForm C3 Alloy, smooth welding	Handlebar	Lightweight Alloy, 500mm wide, 22.2mm
Fork	Rigid, steel, 1" steerer, w/ canti mounts	Grips	Cannondale Kid's Comfort
Rims	Cannondale 4, lightweight alloy, 16", 28h	Stem	Alloy Ahead, 37mm
Hubs	(F) Alloy, nutted axle / (R) Alloy, nutted axles, freewheel	Headset	1" Ahead
Spokes	Steel, 14g Black	Brakes	V-Brake, Alloy linear pull
Tires	Innova, 16 x 1.75", multi-use tread	Brake Levers	Alloy, linear pull
Pedals	Wellgo Composite Platform w/ reflectors, 1/2"	Saddle	Cannondale Kid's Comfort
Crank	One-piece, 110mm length, 28T	Seatpost	One-piece, clamp-less, 25.4mm
Bottom Bracket	Included	Sizes	One Size
Chain	KMC S1, 1/2x1/8"	Color 1	Turquoise (TRQ)
Rear Cogs	16T	Extras	Tool-less training wheels, Chainguard

Kids Trail 12”



C51400M

Frame	SmartForm C3 Alloy, smooth welding	Rear Cogs	16T
Fork	Rigid, steel, 1” steerer	Handlebar	Lightweight Alloy, 460mm wide, 2.22mm
Rims	Cannondale, lightweight alloy, 12”, 16h	Grips	Cannondale Kid’s Comfort
Hubs	(F) Alloy, nutted axle / (R) Alloy, nutted axles, coaster brake	Stem	Alloy Ahead, 37mm
Spokes	Steel, 14g Black	Headset	1” Ahead, semi-integrated
Tires	Innova, 12 x 1.75”, multi-use tread	Brakes	Rear coaster brake
Pedals	Wellgo Composite Platform w/ reflectors, 1/2”	Saddle	Cannondale Kid’s Comfort
Crank	One-piece, 90mm length, 24T	Seatpost	One-piece, clamp-less, 25.4mm
Bottom Bracket	Included	Sizes	One Size
Chain	KMC S1, 1/2x1/8”	Color 1	Crush (CRU)
		Extras	Tool-less training wheels, Chainguard

Kids Trail Balance



C51450M

Frame	SmartForm C3 Alloy, smooth welding	Grips	Cannondale Kid’s Comfort
Fork	Cannondale Little Lefty 12, rigid, SmartForm C2 Alloy, 11-8” steerer	Stem	Alloy Ahead, 37mm
Rims	Cannondale, lightweight alloy, 12”, 16h	Headset	FSA, Alloy, 1-1/8” Ahead, semi-integrated
Hubs	(F) Little Lefty single-sided / (R) Alloy, nutted axle	Saddle	Cannondale Kid’s Comfort
Spokes	Steel, 14g Black	Seatpost	One-piece, clamp-less, 25.4mm
Tires	Innova, 12 x 1.75”, multi-use tread	Sizes	One Size
Handlebar	Lightweight Alloy, 460mm wide, 22.2mm	Color 1	Acid Red (ARD)

Kids Trail 12”



C51400F

Frame	SmartForm C3 Alloy, smooth welding	Rear Cogs	16T
Fork	Rigid, steel, 1” steerer	Handlebar	Lightweight Alloy, 460mm wide, 22.2mm
Rims	Cannondale, lightweight alloy, 12”, 16h	Grips	Cannondale Kid’s Comfort
Hubs	(F) Alloy, nutted axle / (R) Alloy, nutted axles, coaster brake	Stem	Alloy Ahead, 37mm
Spokes	Steel, 14g Black	Headset	1” Ahead, semi-integrated
Tires	Innova, 12 x 1.75”, multi-use tread	Brakes	Rear coaster brake
Pedals	Wellgo Composite Platform w/ reflectors, 1/2”	Saddle	Cannondale Kid’s Comfort
Crank	One-piece, 90mm length, 24T	Seatpost	One-piece, clamp-less, 25.4mm
Bottom Bracket	Included	Sizes	One Size
Chain	KMC S1, 1/2x1/8”	Color 1	Ultra Violet (ULV)
		Extras	Tool-less training wheels, Chainguard

Kids Trail Balance



C51450F

Frame	SmartForm C3 Alloy, smooth welding	Grips	Cannondale Kid’s Comfort
Fork	Cannondale Little Lefty 12, rigid, SmartForm C2 Alloy, 11-8” steerer	Stem	Alloy Ahead, 37mm
Rims	Cannondale, lightweight alloy, 12”, 16h	Headset	FSA, Alloy, 1-1/8” Ahead, semi-integrated
Hubs	(F) Little Lefty single-sided / (R) Alloy, nutted axle	Saddle	Cannondale Kid’s Comfort
Spokes	Steel, 14g Black	Seatpost	One-piece, clamp-less, 25.4mm
Tires	Innova, 12 x 1.75”, multi-use tread	Sizes	One Size
Handlebar	Lightweight Alloy, 460mm wide, 22.2mm	Color 1	Turquoise (TRQ)



Gear

COMPUTERS | PACKS & BAGS
BOTTLES | CAGES | HELMETS
KICKSTANDS | ACCESSORIES
BARS | STEMS | SEATPOSTS
SUSPENSION | WHEELS
CRANKS | CHAINRINGS

IQ100 Wired Computer

- Speed: Current, average, comparison and maximum
- Distance: Trip and Odometer
- Time: Trip and 12/24 Hour clock
- Auto on/off and two power-saving modes
- Calorie consumption estimator
- Low-profile shape easily mounts to stem or handlebar
- Head unit mounting bracket / front wheel wire harness
- Non-slip mount bracket and wheel sensor pads
- Wheel magnet assembly
- Cable ties for mounting bracket and securing sensor wire



Color	Code
Black	2IQ10/BLK

IQ200 Wireless Computer

- Wireless mounting for easy set up and use
- Speed: Current, average, comparison and maximum
- Distance: Trip and Odometer
- Time: Trip and 12/24 Hour clock
- Auto on/off and two power-saving modes
- Calorie consumption estimator
- Low-profile shape easily mounts to stem or handlebar
- Head unit mounting bracket
- Front wheel sensor unit
- Non-slip mount bracket and wheel sensor pads
- Wheel magnet assembly
- Cable ties for mounting bracket and securing sensor wire



Color	Code
Graphite	2IQ20/GAT

Computer Mount

- Compatible with all Garmin Edge series (200, 500, 510, 800, 810)
- Fits 31.8 mm diameter handle bars
- 1/4 turn twist for mount/dismount
- Injection mold nylon/glass fill with stainless T25 bolt
- Weight : 22 g



Color	Code
Black	CP1100U01OS
White	CP1100U02OS
Green	CP1100U04OS

Quick Saddle Bag (large)

- Weatherproof zip
- Reflective loop attachment
- Secure attachment to saddle rails
- Secure velcro side straps
- Volume: 81 in3 / 1331 cm3

Color	Code
Black	CP1200U10LG



Quick Saddle Bag (Medium)

- Weatherproof zip
- Reflective loop attachment
- Secure attachment to saddle rails
- Secure velcro side straps
- Volume: 58 in3 / 955 cm3

Color	Code
Black	CP1200U10MD



Quick Saddle Bag (Small)

- Weatherproof zip
- Reflective loop attachment
- Secure attachment to saddle rails
- Secure velcro side straps
- Volume: 27 in3 / 443 cm3

Color	Code
Black	CP1200U10SM



Gripper Logo Bottle

- High-flow, lockable Actuator nozzle
- BPA Free
- Dishwasher safe
- Farbic® Gripper Bottle

color	600ml	750ml
Clear	CP5100U0160	CP5100U0175
Black	CP5100U1160	CP5100U1175



Gripper Block Bottle

- High-flow, lockable Actuator nozzle
- BPA Free
- Dishwasher safe
- Farbic® Gripper Bottle

color	600ml	750ml
Clear	CP5200U0160	CP5200U0175
Black	CP5200U1160	CP5200U1175



Gripper Logo Insulated Bottle

- High-flow, lockable Actuator nozzle
- BPA Free
- Dishwasher safe
- Farbic® Gripper Bottle
- The triple-layer thermal isolation technology keeps your drink cooler over twice as long as conventional water bottles

color	550ml	650ml
White	CP5150U4155	CP5150U4165



GT-40 / GT-40 side load aluminum cage

- Lightweight and durable heat-treated aluminum construction
- Wrap-around coverage ensures positive bottle grip and smooth glide
- The GT-40's clean, timeless design is now also available in an expanded color range
- Available in left- or right-side loading
- Weight: 42g

Color	Code
Black	CP5400U100S
Black/Right-load	CP5420U100S
Black/Left-load	CP5410U100S



Speed-C Cage

- Shaped to strike a perfect balance between stiffness for secure bottle hold and suppleness for easy bottle insertion
- Molded of durable nylon composite
- Expanded color range with subtle graphics perfectly complement your bike and accent your unique style
- Weight: 39g

Color	Code
Black	CP5500U140S
White	CP5500U410S
Red	CP5500U500S



Carbon Speed-C Cage

- Interwoven 3K and unidirectional carbon fiber composite
- Shaped to strike a perfect balance between stiffness for secure bottle hold and suppleness for easy bottle insertion
- Finished in matte or gloss over bare carbon weave
- Stealth and svelte in only 28 grams

Color	Code
Black/Black	CP5300U110S
Black/White	CP5300U140S





Intake

The New Intake from Cannondale is designed for the latest generation of cyclists who aren't confined to riding on asphalt. Road, paths, gravel and dirt, this helmet will match your style when taking on any discipline.

Optimised to reduce wind resistance and improve air flow. Keeping the clock times down and heads cool.

Sunglass storage was a must when designing the Intake. Superports on the side make sure your eyewear is secure when it's not needed.

Features:

- 13 air vents.
- Superport for sunglass storage
- Optimised for minimal wind resistance
- One hand fit system
- Slim profile
- Mips Options
- Weight: 280g (medium)

Color	S/M 52-58cm	L/XL 56-62cm
Black	CH4259U10SM	CH4259U10LX
Gun-Metal	CH4259U61SM	CH4259U61LX
White	CH4259U41SM	CH4259U41LX
Volt	CH4259U70SM	CH4259U70LX
Blue	CH4259U20SM	CH4259U20LX

Color	S/M 52-58cm	L/XL 56-62cm
Mips Black/Volt	CH4209U10SM	CH4209U10LX
Mips Grey/Orange	CH4209U70SM	CH4209U70LX
Mips White/Blue	CH4209U41SM	CH4209U41LX



Black



Gun-Metal



White



Volt



Blue



Mips Black/Volt



Mips Grey/Orange



Mips Grey/Orange



Hunter

The new Hunter from Cannondale is designed for the rider wanting a well ventilated, light weight, yet durable helmet. Built for fast descent's and long technical climbs, with a fit that feels just right and an modern look. This is the perfect helmet for hard-core trail riders, racers and those wanting to explore further from the beaten path.

Features:

- Highly vented to increase cooling
- 14 vents
- Mips Options
- Extended rear for added protection
- One piece visor
- One hand fit system

Color	S/M 52-58cm	L/XL 56-62cm
Black	CH4159U10SM	CH4159U10LX
Gun-Metal	CH4159U61SM	CH4159U61LX
White	CH4159U40SM	CH4159U40LX
Volt	CH4159U70SM	CH4159U70LX
Blue	CH4159U20SM	CH4159U20LX

Color	S/M 52-58cm	L/XL 56-62cm
Mips Black/Volt	CH4109U10SM	CH4109U10LX
Mips White/Blue	CH4109U40SM	CH4109U40LX
Mips Grey/Orange	CH4109U70SM	CH4109U70LX



Black



Gun-Metal



White



Volt



Blue



Mips Black/Volt



Mips Grey/Orange



Mips Grey/Orange



Intent

The new Intent from Cannondale was created for enduro stage wins and all-day adventures. Keeping riders cool and confident thanks to the 13 massive air channelling vents and deep rear coverage. Goggle compatibility and dual shell design gives the enduro rider everything they need in a modern helmet. The Intent will give the comfort to climb every hill and confidence to charge back down.

Features:

- 13 massive dual shell air vents to increase cooling.
- Ample rear coverage for added protection.
- Adjustable angle visor.
- Easy to adjust fit system to optimize fit and comfort.
- Goggle compatibility.
- MIPS option available.

Color	S/M 52-58cm	L/XL 56-62cm
Black/Black	CH4150U11SM	CH4150U11LX
White/Black	CH4150U41SM	CH4150U41LX
Volt/Black	CH4150U71SM	CH4150U71LX
Grey/Black	CH4150U61SM	CH4150U61LX
Green/Black	CH4150U31SM	CH4150U31LX

Color	S/M 52-58cm	L/XL 56-62cm
Black/Black	CH4100U11SM	CH4100U11LX
White/Black	CH4100U41SM	CH4100U41LX
Volt/Black	CH4100U71SM	CH4100U71LX
Grey/Black	CH4100U61SM	CH4100U61LX
Green/Black	CH4100U31SM	CH4100U31LX



Black/Black



White/Black



Volt/Black



Grey/Black



Green/Black



Ryker

The new Ryker from Cannondale is designed for the fast descent's and long technical climbs. Extended rear coverage with 13 large vents provides downhill protection and cool climbing. This is the perfect helmet for committed trail riders and those wanting to explore further from the beaten path.

Features:

- 13 large air vents to increase cooling.
- Extended rear for added protection.
- Adjustable angle visor.
- Easy to adjust fit system to optimise fit and comfort.
- Goggle compatibility.

Color	S/M 52-58cm	L/XL 56-62cm
Black	CH4200U10SM	CH4200U10LX
White	CH4200U40SM	CH4200U40LX
Volt	CH4200U70SM	CH4200U70LX
Grey	CH4200U60SM	CH4200U60LX
Green	CH4200U30SM	CH4200U30LX



Black



White



Volt



Grey



Green



*Logo Graphic Update

Quick

- Single-Mold Polycarbonate shell technology bonds the outer shell with the EPS shell for one-piece integrated design
- 19 flow-through vents control comfort by maintaining airflow through the helmet
- Heat-sealed moisture wicking pads keep the sweat under control
- System Integrated micro dial w/ Ergo-fit EVA occipital pad offers a precise fit
- Comfortable soft-touch webbing with cam-lock dividers offers secure adjustment and all-day wearability
- Removable visor

Color	S/M 52-58cm	L/XL 56-62cm
Black	CH4507U10SM	CH4507U10LX
White	CH4507U40SM	CH4507U40LX
Black/Green	CH4507U13SM	CH4507U13LX
Red	CH4507U54SM	CH4507U54LX

Color	S/M 52-58cm	L/XL 56-62cm
Black	CH4309U10SM	CH4309U10LX
White	CH4309U40SM	CH4309U40LX
Gun-Metal	CH4309U60SM	CH4309U60LX
Red	CH4309U54SM	CH4309U54LX

*Logo Graphic Update



Black

Black/Green

White



Red

Gun-Metal



Kids

- In Fusion mold technology makes this helmet very durable and light-weight
- Easy Fit System with micro-dial and plush padding makes adjusting the helmet size effortless and precise
- Vent Screens stop bugs, not air flow
- Comfortable soft-touch webbing w/pinch guard allows for quick connect and a comfortable ride
- Jon Burgerman design collaboration

Color	XS/S	S/M
Burgerman Black	CH4707U30XS	CH4707U30SM
Burgerman Yellow	CH4707U70XS	CH4707U70SM
Burgerman Teal	CH4707U35XS	CH4707U35SM
Burgerman White	CH4707U40XS	CH4707U40SM
Quick Blue	CH4359U20XS	CH4359U20SM
Quick White	CH4359U40XS	CH4359U40SM
Quick Red	CH4359U50XS	CH4359U50SM



Burgerman White

Burgerman Black

Burgerman Teal



Burgerman Yellow

Quick Blue

Quick White



Quick Red

Eileen™ 2 Rear-Mount Kickstand

- Lightweight and durable aluminum construction
- Designed for flat-sided tubes up to 23mm thick
- Firm spring prevents movement while riding
- Two bracket options to better fit small and large frames
- Telescoping leg that offers expanded versatility to fit a wide range of bicycles
- Equipped with a firm spring that prevents movement while riding

Color	Code
Black	C4KSRM01BLK



Eileen™ 3 Center-Mount Kickstand

- Telescoping leg that offers expanded versatility to fit a wide range of bicycles
- Crafted of lightweight and durable aluminum alloy
- Equipped with a firm spring that prevents movement while riding
- Lightweight and durable aluminum construction
- Includes a retro-adaptor plate

Color	Code
Black	C4KSCM01BLK



Si Kickstand v2

- Telescoping leg that offers expanded versatility to fit a wide range of bicycles
- For Cannondale frames with Si dropouts (2017 and earlier)
- Adjustable, telescopic leg
- Lightweight and durable aluminum construction

Color	Code
Black	CP1607U000S



Si One-Piece Kickstand

- For Cannondale frames with Si dropouts
- Forged one-piece leg
- Lightweight and durable aluminium construction

Color	Code
Black	CP1619U100S



Adventure Saddle

- Optimized foam density to relieve pressure
- Chromoly rails combine stiffness and comfort
- Width/length 196mm/280mm
- Weight 640g

Color	Code
Black	CP7107U110S



6point3 Platform Pedals

- 9/16" axle with sealed bearing system keeps out the elements for years of use
- Full aluminum alloy body is lightweight and durable
- Integrated rubber blocks and surface grip tape offer excellent traction

Color	Code
Black	3PD6POINT3/BLK9/16



HollowGram KNØT SystemBar

Provides the low drag and sleek look of a one-piece system, with the fit and interchangeability benefits of a two-piece bar and stem. 8 degrees of pitch adjustment. Narrow bar width with flared drops brings your arms closer together when on the hoods for lower drag.

- Look and speed of a 1-piece system
- Adjustability of a 2-piece system 6 watts faster than traditional cockpits when paired with SAVE Stem

Width	Code
38cm	CP2650U1038
40cm	CP2650U1040
42cm	CP2650U1042
44cm	CP2650U1044



HollowGram SAVE SystemBar

- Look and speed of a 1-piece system
- Adjustability of a 2-piece system
- Ergonomic flat top section

Width	Code
36cm	CP2600U1036
38cm	CP2600U1038
40cm	CP2600U1040
42cm	CP2600U1042
44cm	CP2600U1044



Cannondale One 31.8 Alloy Road Bar

- 7050 Aluminium
- 38-44cm widths available
- 76mm reach, 125mm drop

Width	Code
38cm	CP2400U1038
40cm	CP2400U1040
42cm	CP2400U1042
44cm	CP2400U1044



Cannondale One 31.8 Carbon Riser Bar

- Carbon Fiber Construction
- 780mm Width
- 9 Degree Backsweep, 4 Degree Upsweep
- 215g

Width	Code
780mm	CP2500U1078



Cannondale One 31.8 Carbon Flat Bar

- Carbon Fiber Construction
- 760mm Width
- 9 Degree Backsweep
- 190g

Width	Code
760mm	CP2550U1076



Intellimount Adhesive Mount and Hardware

- Includes adhesive mount, Intellimount adapter, microrail adhesive mount and stand tool
- Manufactured by and compatible with SP Connect products

Color	Code
Black	CP1300U100S



Cannondale Wheel Sensor

Connect with your ride. Integrated Cannondale wheel sensor, co-developed with Garmin, delivers hyper accurate speed, route and distance info, registers your bike, reminds you of needed service and more, all through the free Cannondale App.

- Automatically records speed, distance and time for 900 hours
- Total odometer
- BLE and ANT+ wireless compatible
- 2032 Coin cell battery lasts 1 year of riding
- Comes with adapter kit to fit most hub and spoke combinations

Color	Code
Black	CP1500U100S



HollowGram SAVE Stem -6 Deg

- 1-piece look and speed w/ 2-piece adjustability
- External cable routing is compatible with any frame
- 80-130mm lengths available

Width	Code
80mm	CP2000U1080
90mm	CP2000U1090
100mm	CP2000U1010
110mm	CP2000U1011
120mm	CP2000U1012
130mm	CP2000U1030



HollowGram SAVE Stem +6 Deg

- 1-piece look and speed w/ 2-piece adjustability
- External cable routing is compatible with any frame
- 80-110mm lengths available

Width	Code
80mm	CP2100U1080
90mm	CP2100U1090
100mm	CP2100U1010
110mm	CP2100U1011



HollowGram KNØT Stem -6 Deg

Provides the low drag and sleek look of a one-piece system, with the fit and interchangeability benefits of a two-piece bar and stem. 8 degrees of pitch adjustment.

- 1-piece look and speed w/ 2-piece adjustability
- Cable cover for SuperSix EVO included
- 80-120mm lengths available

Width	Code
80mm	CP2250U1080
90mm	CP2250U1090
100mm	CP2250U1010
110mm	CP2250U1011
120mm	CP2250U1012



HollowGram KNØT Stem -17 Deg

Provides the low drag and sleek look of a one-piece system, with the fit and interchangeability benefits of a two-piece bar and stem. 8 degrees of pitch adjustment.

- 1-piece look and speed w/ 2-piece adjustability
- Cable covers for SystemSix and SuperSix EVO included
- 80-120mm lengths available

Width	Code
80mm	CP2300U1080
90mm	CP2300U1090
100mm	CP2300U1010
110mm	CP2300U1011
120mm	CP2300U1012



Cannondale One Stem 7 Deg 31.8mm

- 7050 Aluminium
- 60-120mm lengths available

Width	Code
60mm	CP2350U1060
70mm	CP2350U1070
80mm	CP2350U1080
90mm	CP2350U1090
100mm	CP2350U1010
110mm	CP2350U1011
120mm	CP2350U1012



Cannondale Three Stem w/ Intellimount

- Compatible with Intellimount Mounting Solutions
- Compatible with High Direct Light Mount
- 60-90mm lengths available
- +6 Degrees

WIDTH	Code
60mm	CP2200U1060
70mm	CP2200U1070
80mm	CP2200U1080
90mm	CP2200U1090



DownLow Dropper Post

Our DownLow dropper post is an infinitely adjustable, easily serviceable, air/hydraulic unit with a sweet cable remote. It goes up. It goes down. You need one.

- Travel: 100mm, 125mm, 150mm
- Weight: 570g (150mm travel)
- Diameter: 31.6
- 1x DownLow remote included
- Internal routing
- 0 offset head

Code	Travel	Length
CP2309U1044	150mm	440mm
CP2209U1039	125mm	390mm
CP2109U1034	100mm	340mm



Cannondale Two Seatpost

- Material: Carbon
- Length: 300, 350, 400mm
- Offset: 15mm
- Diameter: 25.4mm

Code	Size
CU42112530	25.4x300mm
CU42112535	25.4x350mm
CU42112540	25.4x400mm



SAVE Carbon Road Seatpost

- Ultra-light continuous carbon fiber layup offers just enough compliance to take the edge off without sacrificing power transfer
- Easy adjust two bolt head for fine tuning ride position
- 25.4mm diameter only, weighs 270 grams
- Di2 compatible

Code	Size
CU42142538	25.4 X 300mm, 15mm offset
CU42142542	25.4 X 350mm, 15mm offset

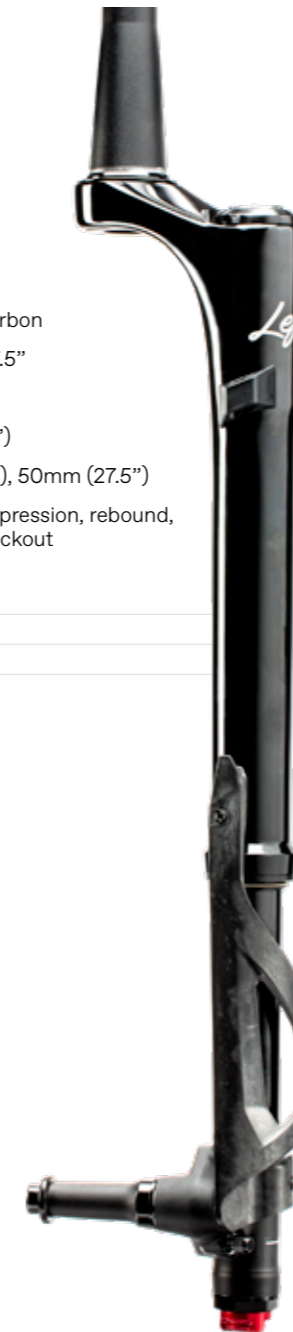
Lefty Ocho

The Lefty Ocho is for the XC rider who believes in results. The incredibly smooth suspension action that results from the lowest friction of any fork structure out there.

The climb-crushing speed that results from having one of the lightest suspension forks in the world. The line-owning precision that results from having best-in-class overall stiffness, tuned for maximum control. And the confidence that results from knowing you're on the most advanced, ground-breaking, preconceived-notion-destroying, XC-race-winning fork ever created. They're the kind of results that result in...well...real results.

- Upper Material: Carbon
- Wheel Size: 29", 27.5"
- Travel: 100mm
- Weight: 1446g (29")
- Offset: 55mm (29"), 50mm (27.5")
- Adjustments: Compression, rebound, remote actuated lockout

Code	
K5800927	27.5
K5800929	29



- Upper Material: Alloy
- Wheel Size: 29", 27.5"
- Travel: 100mm
- Weight: 1735g (29")
- Offset: 55mm (29"), 50mm (27.5")
- Adjustments: Compression, rebound, remote actuated lockout

Code	
K5801927	27.5
K5801929	29



Lefty Hubs

Complete the system. Build up some sweet hoops on these superlight hubs.

Lefty 50 Front Hub

- Fits older Lefty models (2001-2014) & Lefty 2.0, Supermax, & Oliver
- 50mm Flange Spacing
- 122g

Code	Description
KH105/24H	24 hole, black
KH105/28H	28 hole, black
KH105/32H	32 hole, black

Lefty 60 Front Hub

- For Lefty 2.0 & Supermax models
- 60mm Flange Spacing for Greater Stiffness
- 130g

Code	Description
KH119/32	32 hole, black
KH119/28	28 hole, black

Lefty 73 Front Hub (for Olaf)

- 73mm Flange Spacing
- Fat Specific Symmetric Spoke Angles
- 195g

Code	Description
CP9306U100S	32 hole, black
KH119/28	



HG 64 SL KNØT Wheel

Conceived as the first component of the SystemSix design, our new HollowGram 64 KNØT wheels are one hell of an engineering feat all in themselves. Designed to eliminate the drag penalty normally associated with running bigger tires, the 64 KNØT manage to pack all the comfort, rolling resistance and grip benefits of larger volume tires into one of the absolute, bar none, fastest wheelsets on the planet. The disc-only design is significantly wider than other road wheels and that extra width both makes small tires bigger (a 23c tire measures a full 26mm on our wheel) and helps air flowing over the larger tire reattach cleanly to the rim, maximizing flow attachment and minimizing drag. And as a bonus, while they're optimized for 26mm (23c) tires, the 64 KNØT design exhibits minimal drag with even larger tires, giving riders the option to go bigger without slowing down. It's pure speed without compromise. By combining cutting edge aerodynamic tech patented and licensed by HED with all of the benefits of big tires, the 64 KNØTs are one of the absolute fastest wheelsets in the world.

- Class leading aerodynamics
- 64mm deep, disc brake specific, full carbon rims
- Rim width: 21mm internal / 32mm external
- HollowGram by DT Swiss rear hub, DT 240 internals, Center Lock disc
- DT Swiss Aerolite spokes
- Tubeless compatible
- Shimano and SRAM XDR freehub body versions available

Spec	Size	Code
100×12 CL	700c	CP8000U1070
142×12 CL SH	700c	CP8100U1070
142×12 CL XDR	700c	CP8100U1070



HG 23 SL Wheel

These XC-focused full carbon wheels are both ultra light and super stout, great for racing or fast trail riding. The 23mm internal rim width strikes the right balance between the solid bead retention and tire profile of wider rims, and the lightweight rotational mass of narrower rims.

- Rim width: 23mm internal / 29mm external
- HollowGram by DT Swiss rear hub, DT 350 internals, 6 bolt disc
- DT Swiss Competition Race spokes
- Tubeless compatible

Spec	Size	Code
HG SL 23 Lefty 60 6B	27.5	CP8300U1027
HG SL 23 Lefty 60 6B	29	CP8300U1029
HG SL 23 142×12 6B MS Ai6	27.5	CP8350U1027
HG SL 23 142×12 6B MS Ai6	29	CP8350U1029
HG SL 23 142×12 6B XD Ai6	27.5	CP8400U1027
HG SL 23 142×12 6B XD Ai6	29	CP8400U1029
HG SL 23 148×12 6B MS Ai3	29	CP8450U1029
HG SL 23 148×12 6B XD Ai3	29	CP8500U1029



HG 45 SL KNØT Wheel

Designed to eliminate the drag penalty normally associated with running bigger tires, the Hollowgram 45 KNØT manage to pack all the comfort, rolling resistance and grip benefits of larger volume tires into one of the absolute, bar none, fastest all around wheelsets on the planet. The 45mm deep rim is the perfect depth for alps passes to hammering the flats. The disc-only design is significantly wider than other road wheels and that extra width both makes small tires bigger (a 23c tire measures a full 26mm on our wheel) and helps air flowing over the larger tire reattach cleanly to the rim, maximizing flow attachment and minimizing drag. And as a bonus, while they're optimized for 26mm (23c) tires, the Hollowgram 45 KNØT design exhibits minimal drag with even larger tires, giving riders the option to go bigger without slowing down. It's speed for every road.

- Class leading aerodynamics
- 45mm deep, disc brake specific, full carbon rims
- Rim width: 21mm internal / 32mm external
- HollowGram by DT Swiss rear hub, DT 240 internals, Center Lock disc
- DT Swiss Aerolite spokes
- Tubeless compatible
- Shimano and SRAM XDR freehub body versions available

Spec	Size	Code
100×12 CL	700c	CP8150U1070
142×12 CL SH	700c	CP8200U1070
142×12 CL XDR	700c	CP8250U1070



Hollowgram™ SiSL2 Road

The evolution of the revolution. 15 years ago, the original Cannondale HollowGram crank started the BB30 revolution and set a new standard for ultra-light, super-stiff cranks. The most current evolution of the HollowGram, the SiSL2, continues this tradition of radical innovation. These hollow cranks are created by bonding together two machined, heat-treated clamshell halves with a super-strong anaerobic bonding agent. Extensive FEA modelling and physical testing have allowed us to refine the internal and external shapes for the ultimate in stiffness-to-weight. The result is a crank light and stiff enough for our top road race machines but still so tough, we use it on our mountain bikes as well. Compatible with all Cannondale Si Spiders and SpideRings.

Code

CU40356503	Hollowgram Si SL2 165 52/36 SpideRing
CU40357003	Hollowgram Si SL2 170 52/36 SpideRing
CU40357203	Hollowgram Si SL2 172.5 52/36 SpideRing
CU40357503	Hollowgram Si SL2 175 52/36 SpideRing



Hollowgram™ SiSL2 Mountain

The evolution of the revolution. 15 years ago, the original Cannondale HollowGram crank started the BB30 revolution and set a new standard for ultra-light, super-stiff cranks. The most current evolution of the HollowGram, the SiSL2, continues this tradition of radical innovation. These hollow cranks are created by bonding together two machined, heat-treated clamshell halves with a super-strong anaerobic bonding agent. Extensive FEA modelling and physical testing have allowed us to refine the internal and external shapes for the ultimate in stiffness-to-weight. The result is a crank light and stiff enough for our top road race machines but still so tough, we use it on our mountain bikes as well. Compatible with all Cannondale Si Spiders and SpideRings.

Code

CU40376532	Hollowgram Si SL2 165 32 SpideRing
CU40377032	Hollowgram Si SL2 170 32 SpideRing
CU40377532	Hollowgram Si SL2 175 32 SpideRing



Hollowgram™ Si Road

Our patented OPI 3D forging process enables us to build hollow, seamless crankarms that are not only extremely light but also incredibly strong and stiff. In fact, they are the stiffest, strongest crankarms we've ever made. Lighter and stiffer than the competition and completely compatible with every HollowGram spider and chainring set-up, the HollowGram Si cranks bring top-level performance to more pricepoints.

Code

CU40366503	Hollowgram Si 165 52/36 8 Arm SpideRing
CU40367003	Hollowgram Si 170 52/36 8 Arm SpideRing
CU40367203	Hollowgram Si 172.5 52/36 8 Arm SpideRing
CU40367503	Hollowgram Si 175 52/36 8 Arm SpideRing



Hollowgram™ Si Mountain

Our patented OPI 3D forging process enables us to build hollow, seamless crankarms that are not only extremely light but also incredibly strong and stiff. In fact, they are the stiffest, strongest crankarms we've ever made. Lighter and stiffer than the competition and completely compatible with every HollowGram spider and chainring set-up, the HollowGram Si cranks bring top-level performance to more pricepoints.

Code

CU40386532	Hollowgram Si 165 32 SpideRing
CU40387032	Hollowgram Si 170 32 SpideRing
CU40387532	Hollowgram Si 175 32 SpideRing



OPI 1x MTB Spidering

Ultralight, durable SpideRing tech for the MTB world. 10-arm, radial arm design with X-Synch thick/thin tooth profiles for chain retention and only 46 grams (30t). The crankarm interface on these rings is not keyed, so the rings can be rotated 90 degrees for maximum longevity.

Code

CU4041A130	Spiderring 30 Ai
CU4041A132	Spiderring 32 Ai
CU4041A134	Spiderring 34 Ai
CU4041S144	Spiderring 44



OPI Spidering SL

The original SpideRing. Featuring a 3D-forged, 10-arm design and obsessive weight-saving machining throughout, this spider/rings combo is the best shifting ultralight chainring set on the market. Available in 53/39, 52/36 and 50/34 chainring combinations. Weight: 160 grams (50/34)

Code

CU4042S153	Spiderring 53/39 Si
CU4042S152	Spiderring 52/36 Si
CU4042S150	Spiderring 50/34 Si

