

# SI BOTTOM BRACKET ADAPTER

## Installation and Removal Instructions

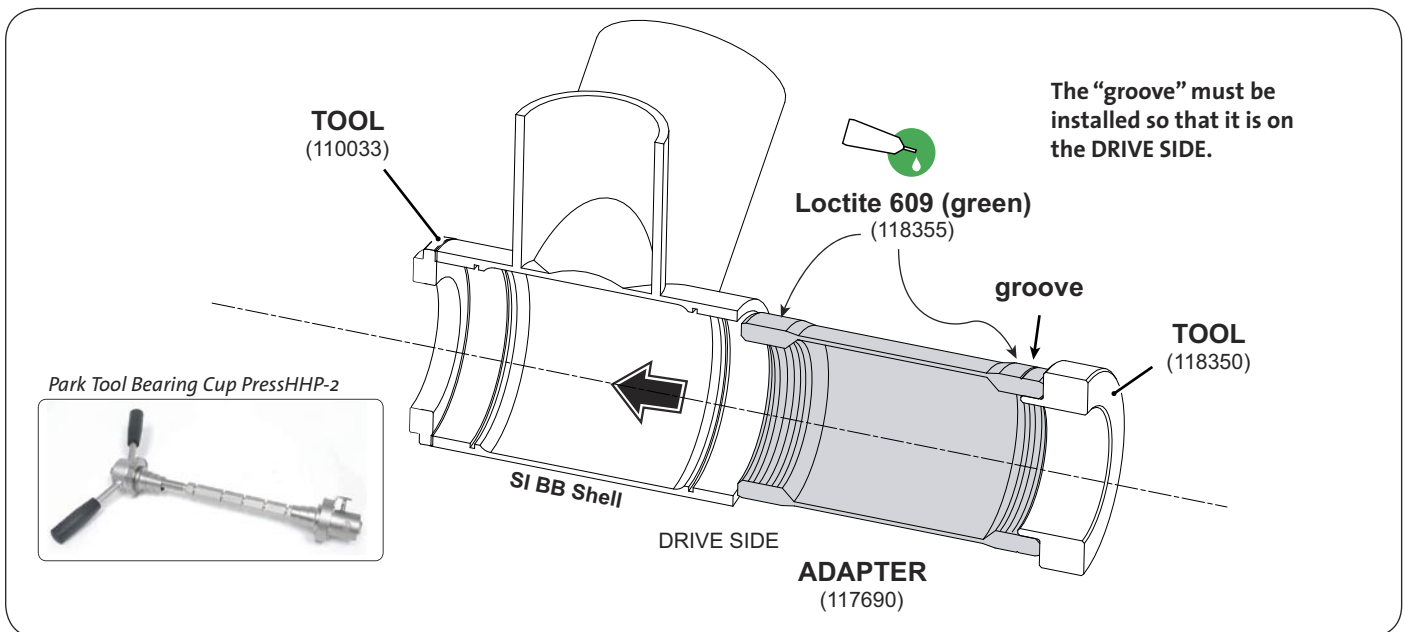
### GENERAL INFORMATION

The SI bottom bracket adapter enables the use of standard English/68mm bottom bracket cranksets in Cannondale System Integration (SI) road or mountain bicycle frames. The adapter is removable on alloy BB frames, however, repeated removal and reinstallation could result in damage to the SI BB shell and is not recommended. The adapter IS NOT a repair part and will only work in undamaged frames in good condition. Improper installation or removal can result in damage and void applicable frame warranty. If the adapter is installed in a Synapse carbon frame, the installation is permanent and can not be removed. See the Synapse Carbon Owner's Manual Supplement 118153.PDF.

Cannondale Kit #	Description
<b>KF365/</b>	1 - SI Bottom Bracket Adapter English/68mm (117690) 1 - Installation Tool (110033 & 118350) for use with a standard bicycle headset bearing press. 1 - 0.5 ml bottle of Loctite 609 (118355)
<b>KF366/</b>	1 - Two-piece extraction tool (118348 & 118349) for use with a standard bicycle headset bearing press.

### INSTALLATION

1. Remove the SI crankarms (alloy crankarm removal tool **KT013/**). Remove the two SI BB shell bearings. (SI bearing removal tool **KT011/**)
2. Remove the two SI BB circlips and thoroughly clean the inside of the bottom bracket shell. **Remove all grease. Do not use abrasives.**
3. Apply Loctite 609 to the BB shell bearing seat surfaces ensuring complete coverage and install the ADAPTER with the groove on the drive side using a headset bearing press and the installation TOOL. Press the ADAPTER until the groove side face is flush with the drive side face of the SI BB shell.
4. Allow at least 12 hours (at 72 °F) for the Loctite to cure before installing the standard bottom bracket crankset. Follow manufacturer's instructions. Loctite Technical Data Sheet <http://tds.loctite.com/tds5/docs/609-EN.PDF>



**CANNONDALE USA (CUSA)**  
Cannondale Bicycle Corporation  
172 Friendship Road  
Bedford, Pennsylvania 15522  
(Voice): 1-800-BIKEUSA  
(Fax): 814-623-6173  
custserv@cannondale.com  
URL: <http://www.cannondale.com>

**CANNONDALE AUSTRALIA (CA)**  
Unit 6, 4 Prosperity Parade  
Warriewood N.S.W 2102  
Australia  
Phone (02)9979 5851  
Fax(02)9979 5688  
cannondaleaustralia@cannondale.com

**CANNONDALE JAPAN (CJ)**  
12-5 Harayamadai  
5-cho Sakai City  
Osaka, Japan 590-0132  
(Voice): 011.81.722.99.9399  
(Fax): 0722-93-6166  
cjcustserv@cannondale.com

**CANNONDALE EUROPE (CE)**  
mail: Postbus 5100  
visits: Hanzepoort 27  
7570 GC Oldenzaal  
Netherlands  
(Voice): +31 541 573580  
(Fax): 31-5415-14240  
servicedeskeurope@cannondale.com

## REMOVAL

1. Removal of the SI BB ADAPTER is accomplished through the use of the extraction tool **KF366/** , a two-piece tool set used with a headset bearing press. The arrangement of the tool parts for removal is shown below.
2. Following removal, it will be necessary to clean all remaining Loctite residue with a before reinstalling the SI circlips and bearings. Use Loctite 768. Use a dental pick to remove any adhesive from the grooves. **Do not cut, face, or use abrasives to clean the inside of the BB shell.**

