

IMPORTANT TECH NOTE

For 2006 Prophet 1 MX, Prophet 2 MX, and Gemini 900

WHAT YOU NEED TO KNOW

To avoid frame or fork damage, a replacement lower headset cup is required for 2006 Prophet 1 MX, Prophet 2 MX, and Gemini 900 frames using the FSA Orbit Z 20mm headset.

The FSA Orbit Z 20mm lower headset cup should not be used. The reason is that the fork can strike the downtube cable guides when rotated fully.

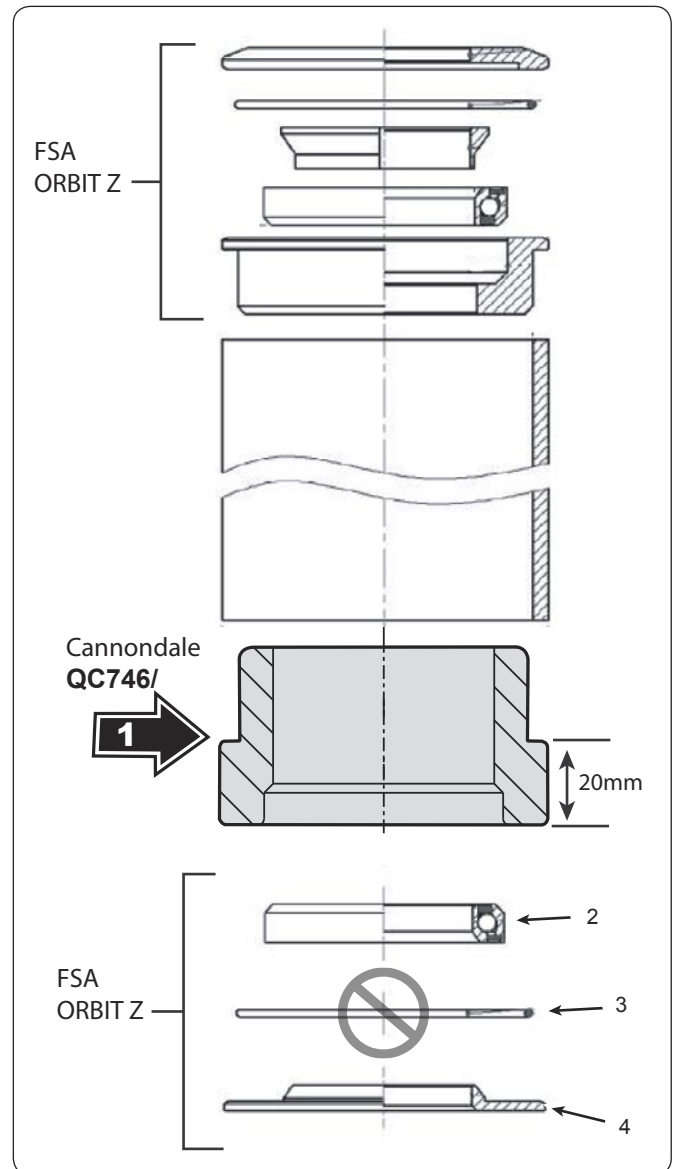
The FSA Orbit Z 20mm headset was shipped on the following models:

FRAME	CODE
PROPHET 1 MX	6VE1MX
PROPHET 2 MX	6VE2MX
GEMINI 900	6VG9

The replacement cup (1) increases available clearance preventing damage when the OEM installed fork is rotated. No other headset parts are included with the replacement cup kit **QC746/**. After installing the replacement cup, reassemble the lower headset parts using the FSA bearing (2), and crown race (4), but omit the seal (3). See figure.

**TO OBTAIN THE REPLACEMENT CUP (1)
ORDER CANNONDALE KIT : QC746/.**

The kit includes only the lower headset replacement cup.



CANNONDALE USA (CUSA)
Cannondale Bicycle Corporation
172 Friendship Road
Bedford, Pennsylvania 15522
(Voice): 1-800-BIKEUSA
(Fax): 814-623-6173
custserv@cannondale.com
URL: <http://www.cannondale.com>

CANNONDALE AUSTRALIA (CA)
Unit 6, 4 Prosperity Parade
Warriewood N.S.W 2102
Australia
Phone (02)9979 5851
Fax(02)9979 5688
cannondaleaustralia@cannondale.com

CANNONDALE JAPAN (CJ)
12-5 Harayamadai
5-cho Sakai City
Osaka, Japan 590-0132
(Voice): 011.81.722.99.9399
(Fax): 0722-93-6166
cjcustserv@cannondale.com

CANNONDALE EUROPE (CE)
mail: Postbus 5100
visits: Hanzepoort 27
7570 GC Oldenzaal
Netherlands
(Voice): + 41 61.4879380
(Fax): 31-5415-14240
servicedeskeurope@cannondale.com