

Publication Title

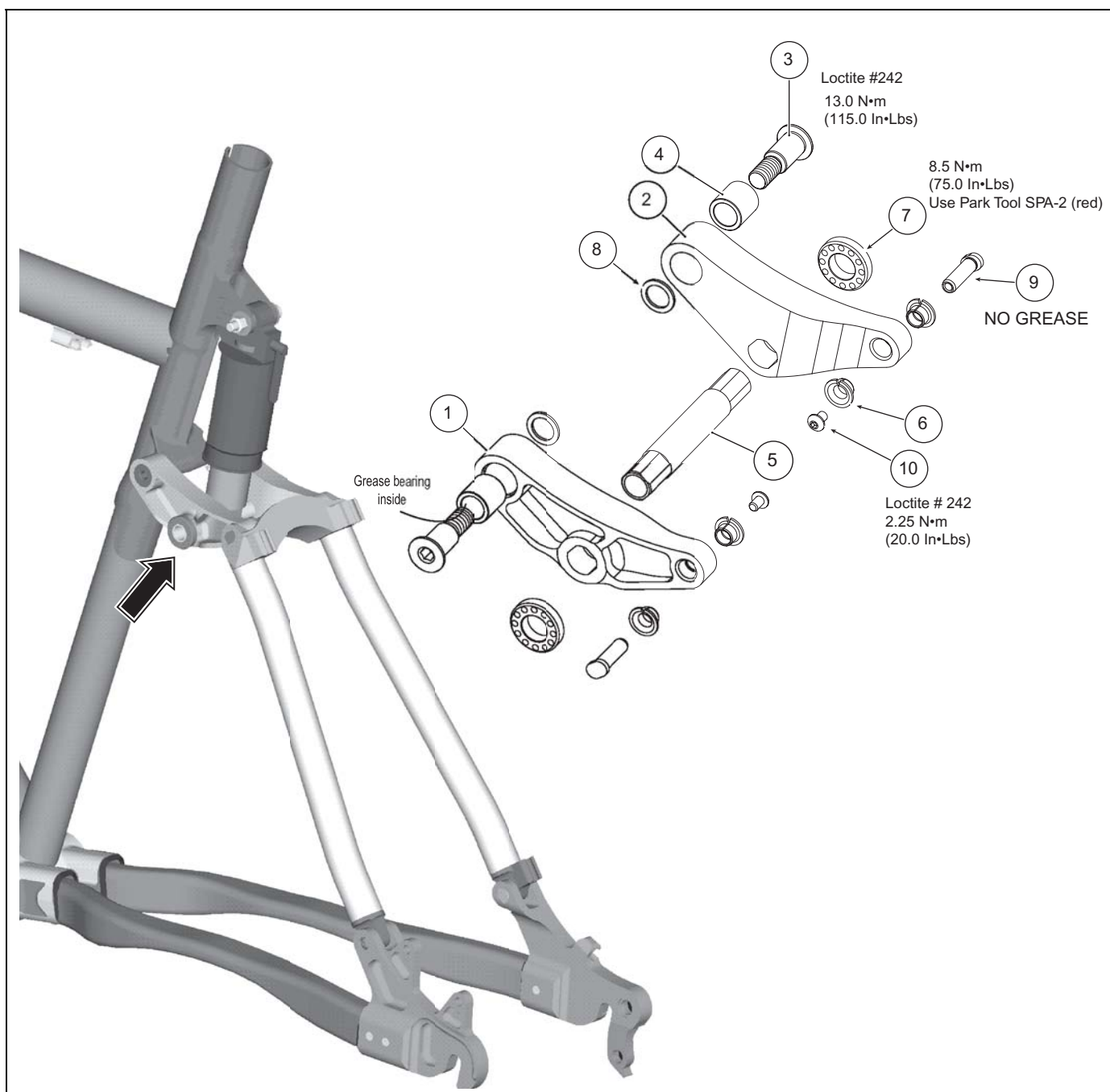
Scalpel™ - “3-Piece” Rear Shock Link

Publication No.

TN004.PDF

Page 1 of 2

August 2003



Information

1. The “3-piece” rear shock link design is the earliest rear shock linkage for Scalpels. Early model Scalpels can be updated with the “Frog” link, a single piece forged shock link. See Tech Notes # TN002.PDF.
2. The T-shafts (9) are Teflon coated and should not be lubricated. If any creaking or noise is detected either the T-shafts or link bushings (6) may be damaged.

**CAUTION:** Do not apply grease or other lubricants to the T-shafts.. Grease or lubricants can collect contaminants resulting in damage and accelerated wear of the parts. Always install the parts clean and dry.

Publication Title

## Scalpel™ - “3-Piece” Rear Shock Link

Publication No.

**TN004.PDF**

Page 2 of 2

August 2003

3. The flange bushings (6) are a press fit into the link sides. They can be removed to install replacements. To remove, carefully locate the punch and drive out. These flange bushings should be inspected often and replaced when necessary.
4. The T-shaft screws (10) should be checked for tightness periodically. Loose screws can result in play detected in the seatstay. When installing the screws, be sure to apply Loctite #242 to the threads and tighten to 2.25 N•m (20.0 In•Lbs).

**CAUTION:** Do not over-tighten the T-shaft screws. Over-tightening will result in damage to the flange bushings

### Parts

The following table is for reference only.

REF	QTY	BPCS	DESC
1	1	112558LA	Left link
2	1	112557RA	Right link
3	2	112502	Pivot bolt
4	2	112679	Bearing
5	1	113005	AXLE,SHOCK,SCALPEL,SS
6	4	112677	BUSHING,Flanged,6mm IDx5.5mm L
7	2	113127AA	Lockring
8	2	114668	WASHER,Acetal,.551x.394x.04
9	2	112636	NUT,T-Shaft,for Scalpel
10	2	103218	SCREW,M4x.7x8mm SOC HEADCAP,SS

### Replacement/ Renewal Kits

The following replacement parts and kits are available only through an authorized Cannondale Dealer.

CANNONDALE KIT #	REF/QTY	DESCRIPTION
KF041/	5	Kit, Shock Axle - Scalpel
KF040/	7	Kit, Lock Ring - Shock, Scalpel
KF038/	1,6(4),4	Kit, Righth Link -Alum. Scalpel
KF039/	2, 6(4), 4	Kit, Righth Link -Alum. Scalpel

#### Contact Us:

**Cannondale Bicycle Corporation**  
172 Friendship Road  
Bedford, Pennsylvania 15522  
(Voice): 1-800-BIKEUSA  
(Fax): 814-623-6173  
custserv@cannondale.com

**Cannondale Australia**  
Unit 2/6 Tarronga Place  
Mona Vale, N.S.W. 2103  
Australia  
(Voice): 011.612.9979.5851  
(Fax): 61-29979-5688.  
cannondaleaustralia@cannondale.com

**Cannondale Japan**  
12-5 Harayamadai  
5-cho Sakai City  
Osaka, Japan 590-0132  
(Voice): 011.81.722.99.9399  
(Fax): 0722-93-6166  
cjcustserv@cannondale.com

**Cannondale Europe**  
mail: Postbus 5100  
visits: Hanzepoort 27  
7570 GC Oldenzaal  
Netherlands  
(Voice): +31 541 573580  
(Fax): 31-5415-14240  
servicedeskeurope@cannondale.com